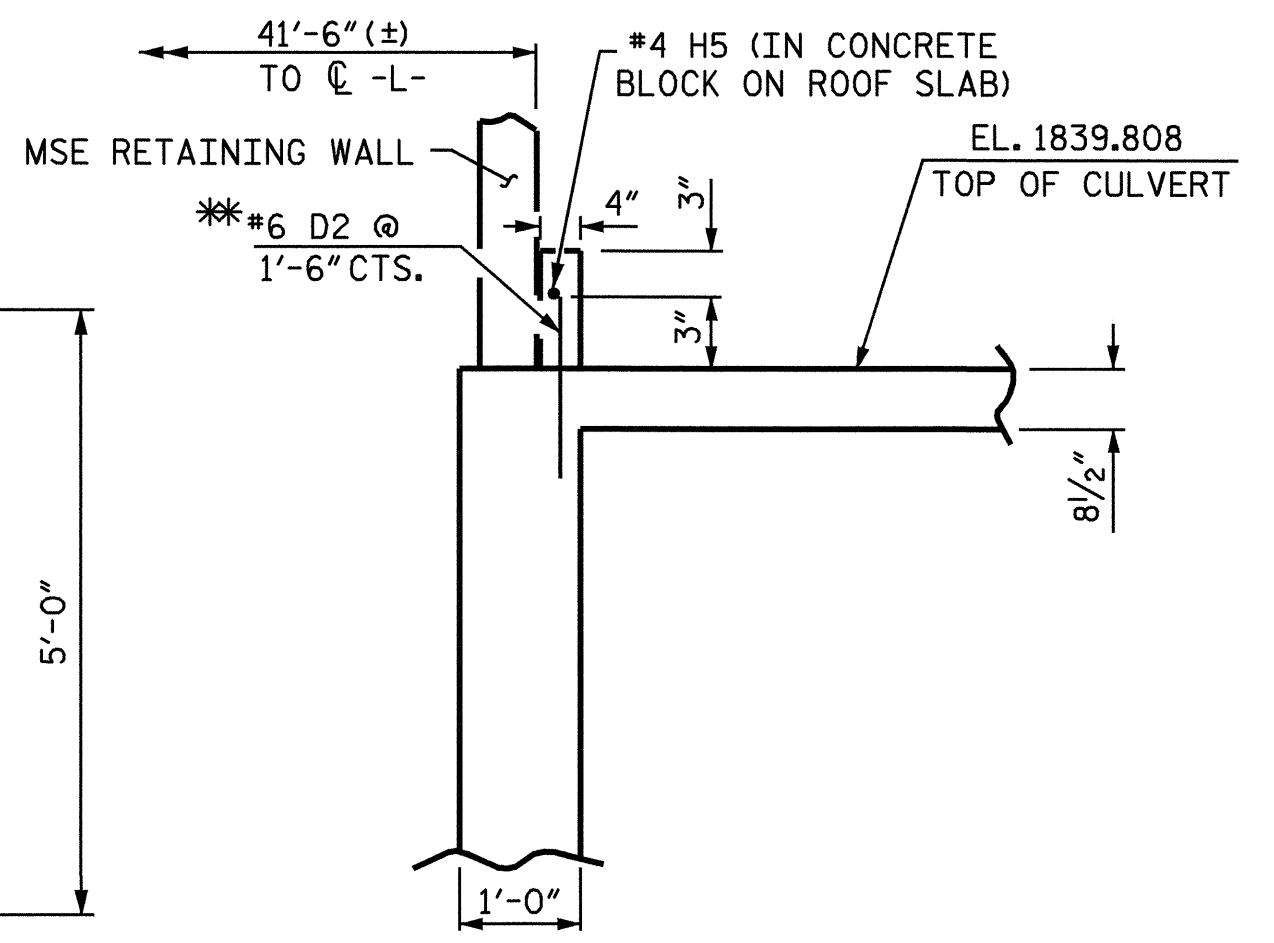
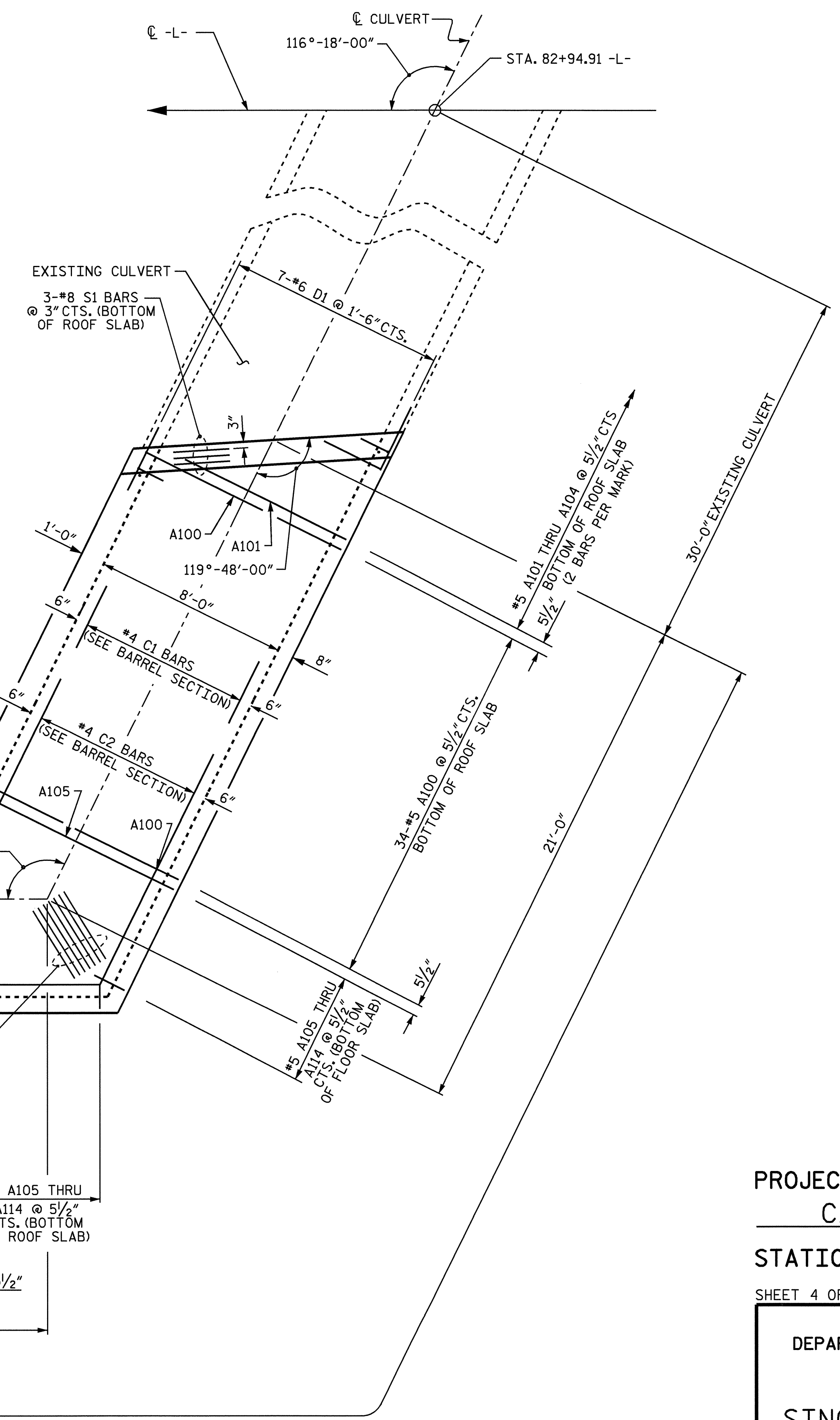


SECTION B-B



SECTION A-A

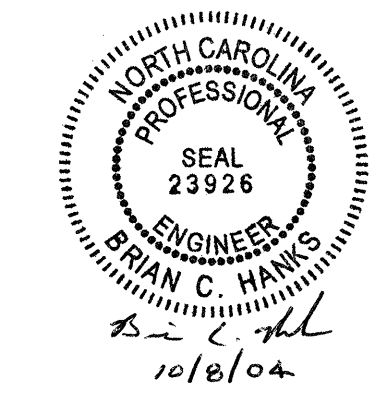
* DOWELS (D2) SHALL BE TIED TO BARREL REINFORCING STEEL BEFORE PLACEMENT OF BARREL CONCRETE



PLAN OF ROOF SLAB

DRAWN BY: J.L. WALTON DATE: 4/19/04
 CHECKED BY: K.K. PUROHIT DATE: 7/22/04

07-OCT-2004 16:09
 W:\squadg\TURNED_IN\R2237B\FINAL_PLANS\R-2237B_sd.CU.02.dgn
 wparker



PROJECT NO. R-2237B
 CALDWELL COUNTY
 STATION: 82+94.91 -L-

SHEET 4 OF 9

REVISIONS						SHEET NO.
NO.	BY:	DATE:	NO.	BY:	DATE:	C-14
1			3			TOTAL SHEETS
2			4			19

STR #2