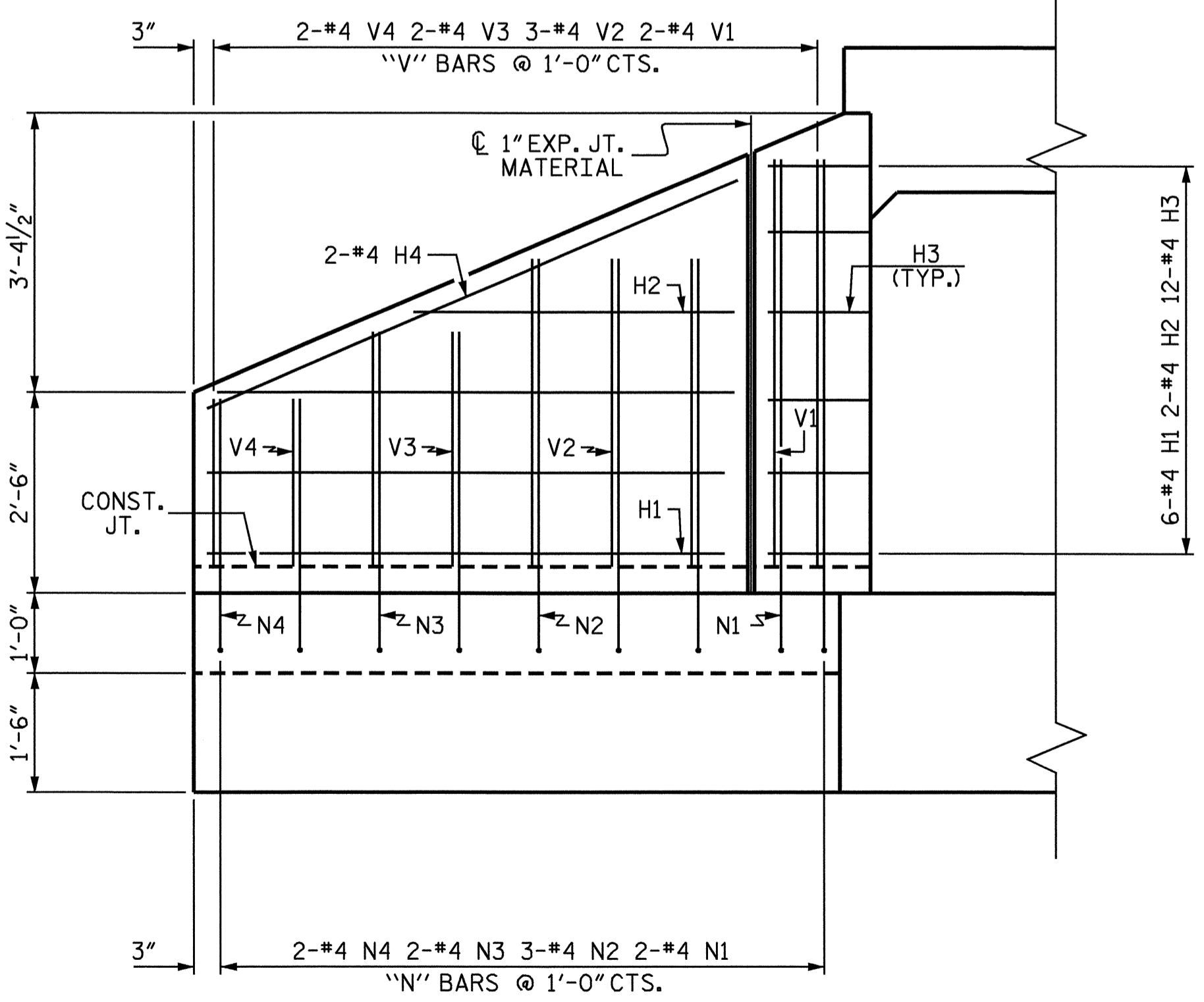
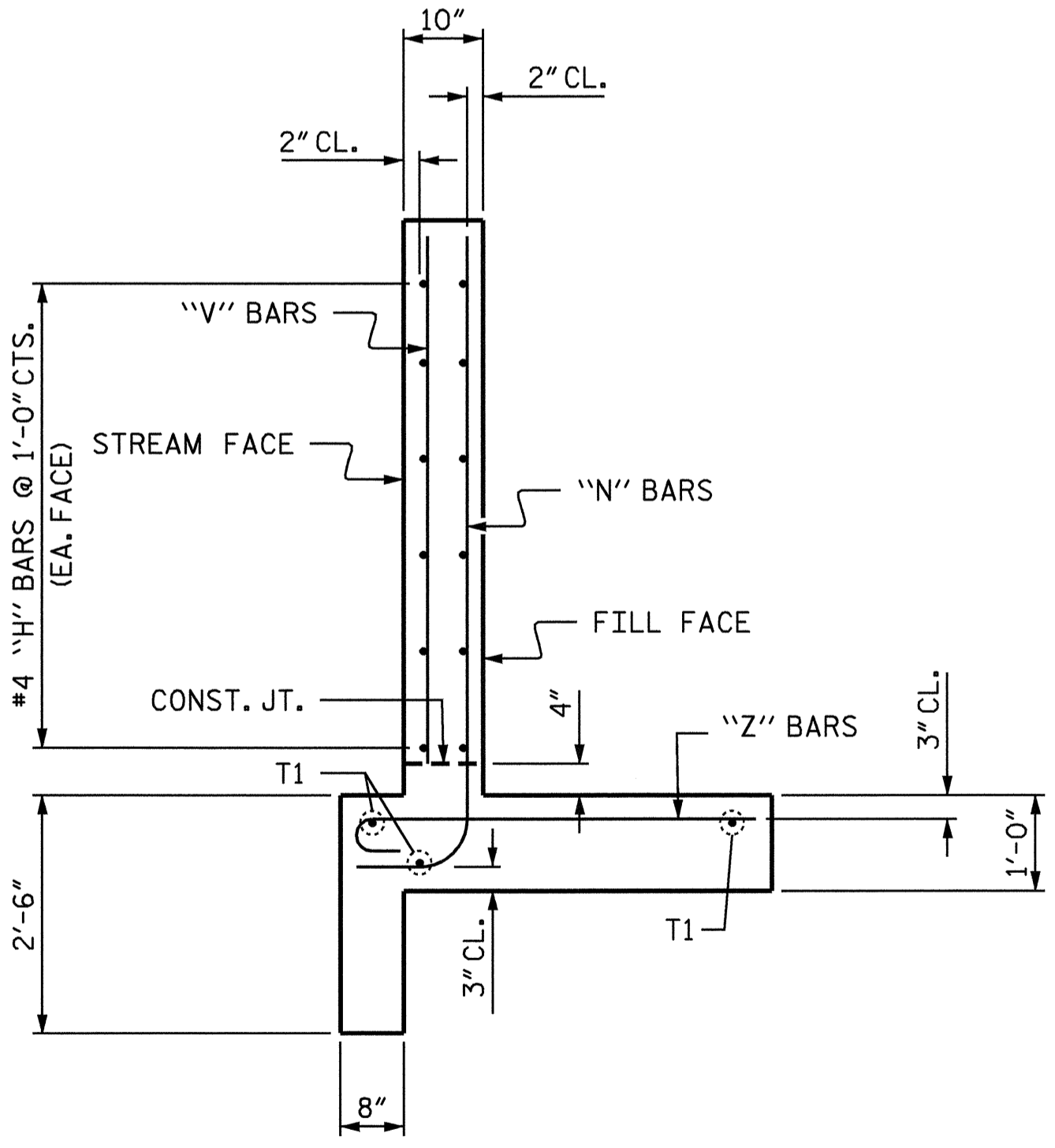


PLAN W3



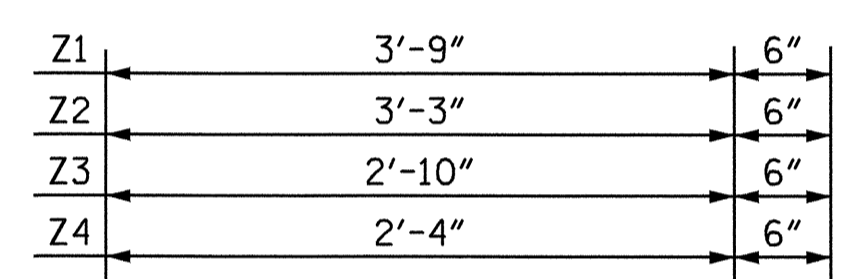
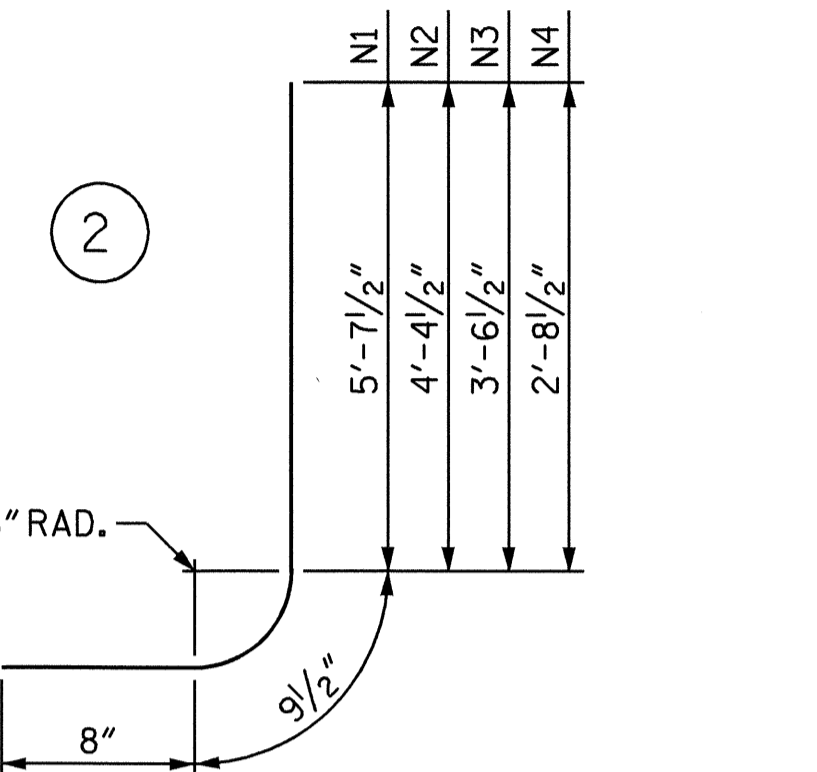
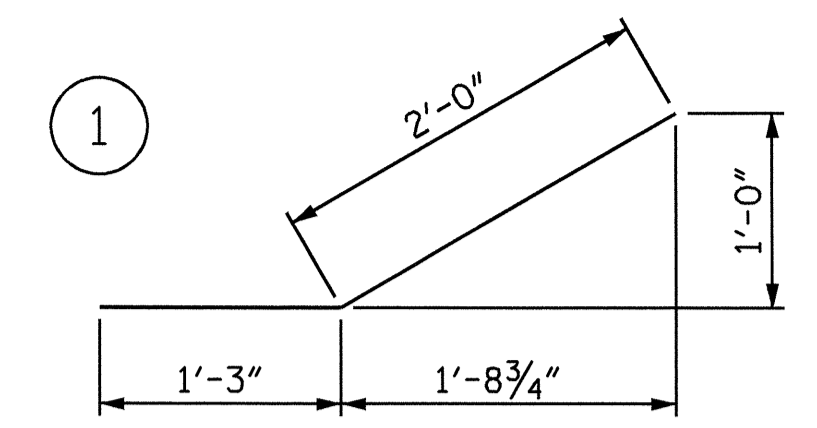
ELEVATION W3



TYPICAL WING SECTION

BAR TYPES

ALL BAR DIMENSIONS ARE OUT TO OUT.



BILL OF MATERIAL

LEFT EXTENSION WING (W3)

BAR	NO.	SIZE	TYPE	LENGTH	WEIGHT
H1	6	#4	STR	6'-6"	26
H2	2	#4	STR	4'-0"	5
H3	12	#4	1	3'-3"	26
H4	2	#4	STR	7'-3"	10
N1	2	#4	2	7'-1"	9
N2	3	#4	2	5'-10"	12
N3	2	#4	2	5'-0"	7
N4	2	#4	2	4'-2"	6
T1	3	#5	STR	8'-6"	27
V1	2	#4	STR	5'-1"	7
V2	3	#4	STR	3'-10"	8
V3	2	#4	STR	2'-11"	4
V4	2	#4	STR	2'-1"	3
Z1	3	#4	3	4'-3"	9
Z2	2	#4	3	3'-9"	5
Z3	2	#4	3	3'-4"	4
Z4	2	#4	3	2'-10"	4

REINFORCING STEEL FOR 1 WING 172 LBS

CLASS A CONCRETE

1 WING	2.5	CY
1 HEADWALL	0.4	CY
1 END CURTAIN WALL	0.3	CY
2 EDGE BEAMS	0.8	CY
TOTAL	4.0	CY

PROJECT NO. R-2237B
CALDWELL COUNTY
 STATION: 82+94.91 -L-

SHEET 5 OF 9

STATE OF NORTH CAROLINA
 DEPARTMENT OF TRANSPORTATION
 RALEIGH

STANDARD WING FOR
 CONCRETE BOX CULVERT
 H = 5'-0" SLOPE = 2:1
 90° SKEW
 LEFT EXTENSION



ASSEMBLED BY : J.L. WALTON DATE : 4/19/04
 CHECKED BY : K.K. PUROHIT DATE : 7/22/04
 DRAWN BY : CCJ 10/99
 CHECKED BY : RWW 03/00

REVISIONS						SHEET NO.
NO.	BY:	DATE:	NO.	BY:	DATE:	C-15
1			3			TOTAL SHEETS
2			4			19