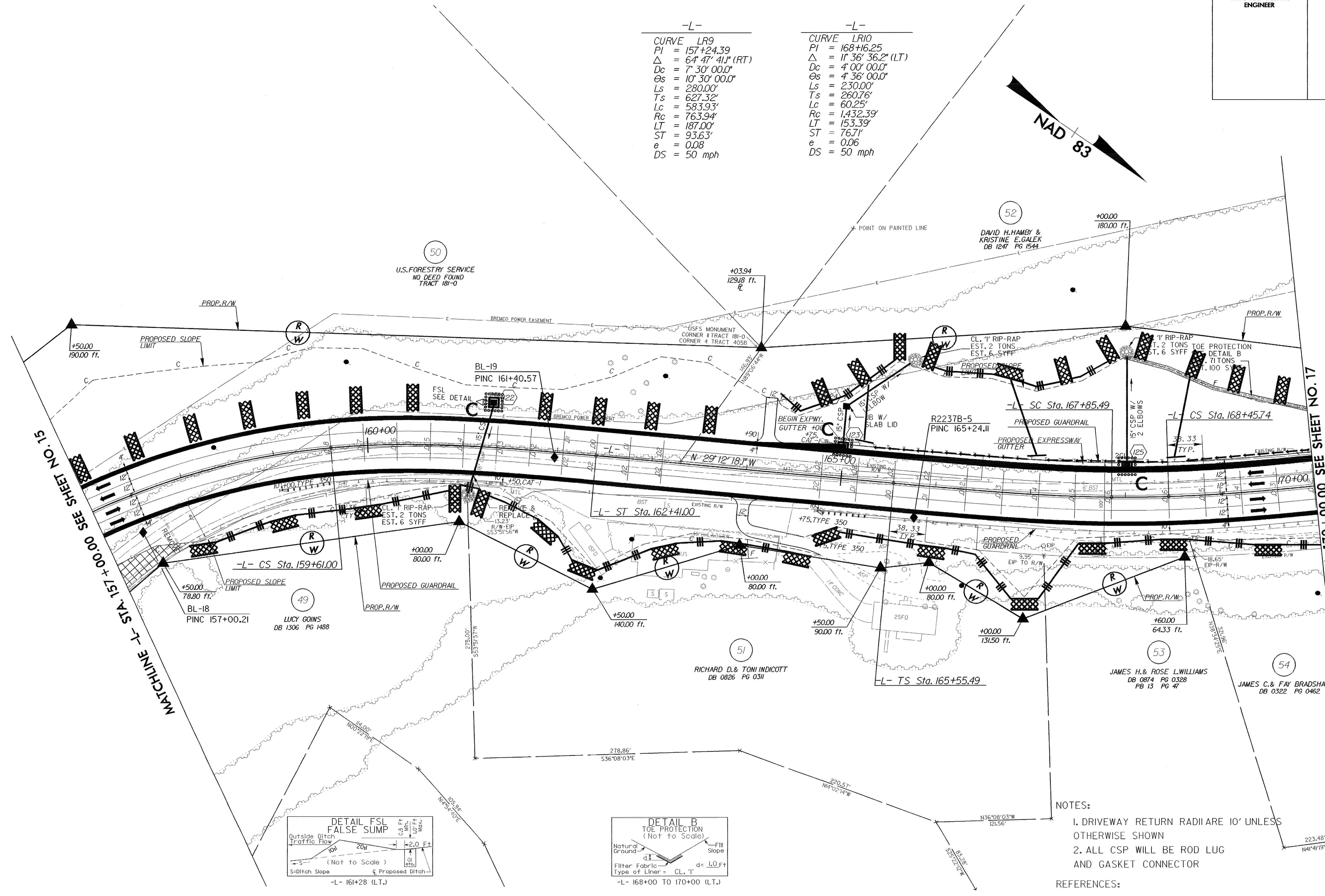
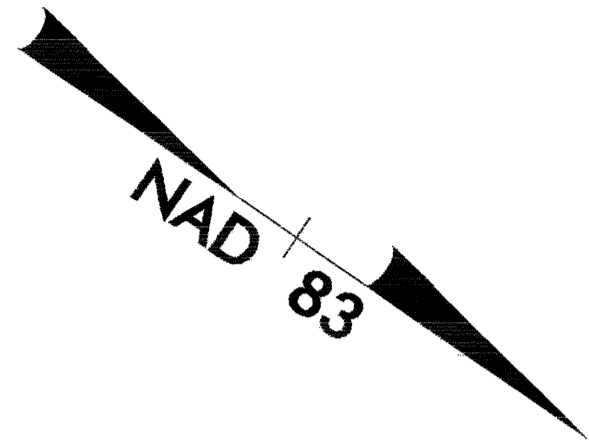
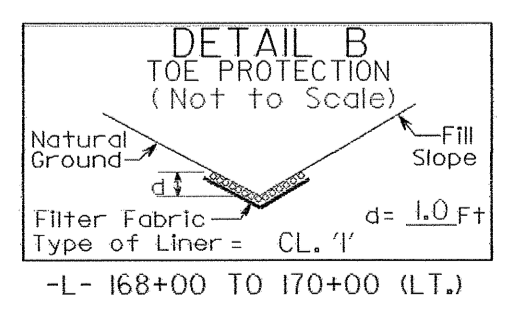
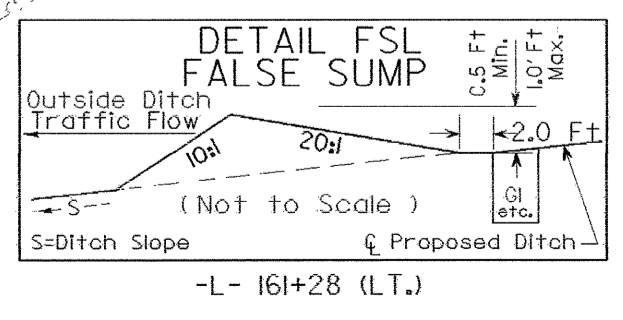


-L-	-L-
CURVE LR9	CURVE LR10
PI = 157+24.39	PI = 168+16.25
Δ = 64° 47' 41" (RT)	Δ = 11° 36' 36.2" (LT)
Dc = 7° 30' 00.0"	Dc = 4° 00' 00.0"
Os = 10° 30' 00.0"	Os = 4° 36' 00.0"
Ls = 280.00'	Ls = 230.00'
Ts = 627.32'	Ts = 260.76'
Lc = 583.93'	Lc = 60.25'
Rc = 763.94'	Rc = 1,432.39'
LT = 187.00'	LT = 153.39'
ST = 93.63'	ST = 76.71'
e = 0.08	e = 0.06
DS = 50 mph	DS = 50 mph



MATCHLINE -L- STA. 157+00.00 SEE SHEET NO. 15

MATCHLINE -L- STA. 170+00.00 SEE SHEET NO. 17



- NOTES:
1. DRIVEWAY RETURN RADII ARE 10' UNLESS OTHERWISE SHOWN
 2. ALL CSP WILL BE ROD LUG AND GASKET CONNECTOR

REFERENCES:
FOR -L- PROFILE SEE SHEET 44

