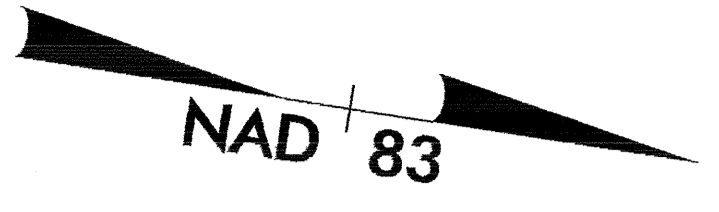
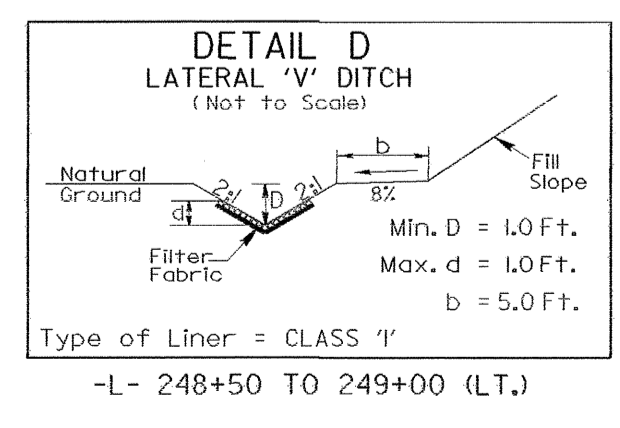
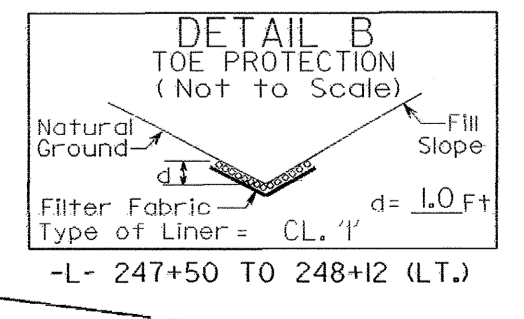
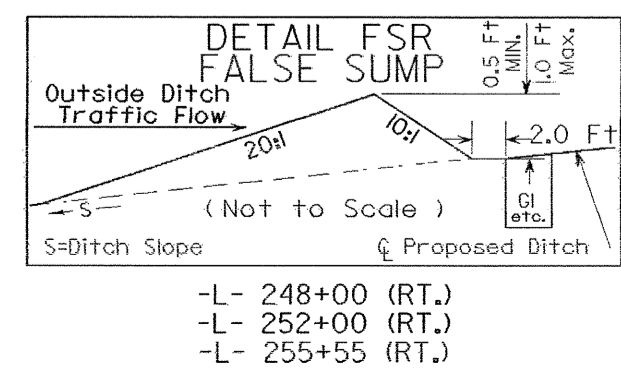
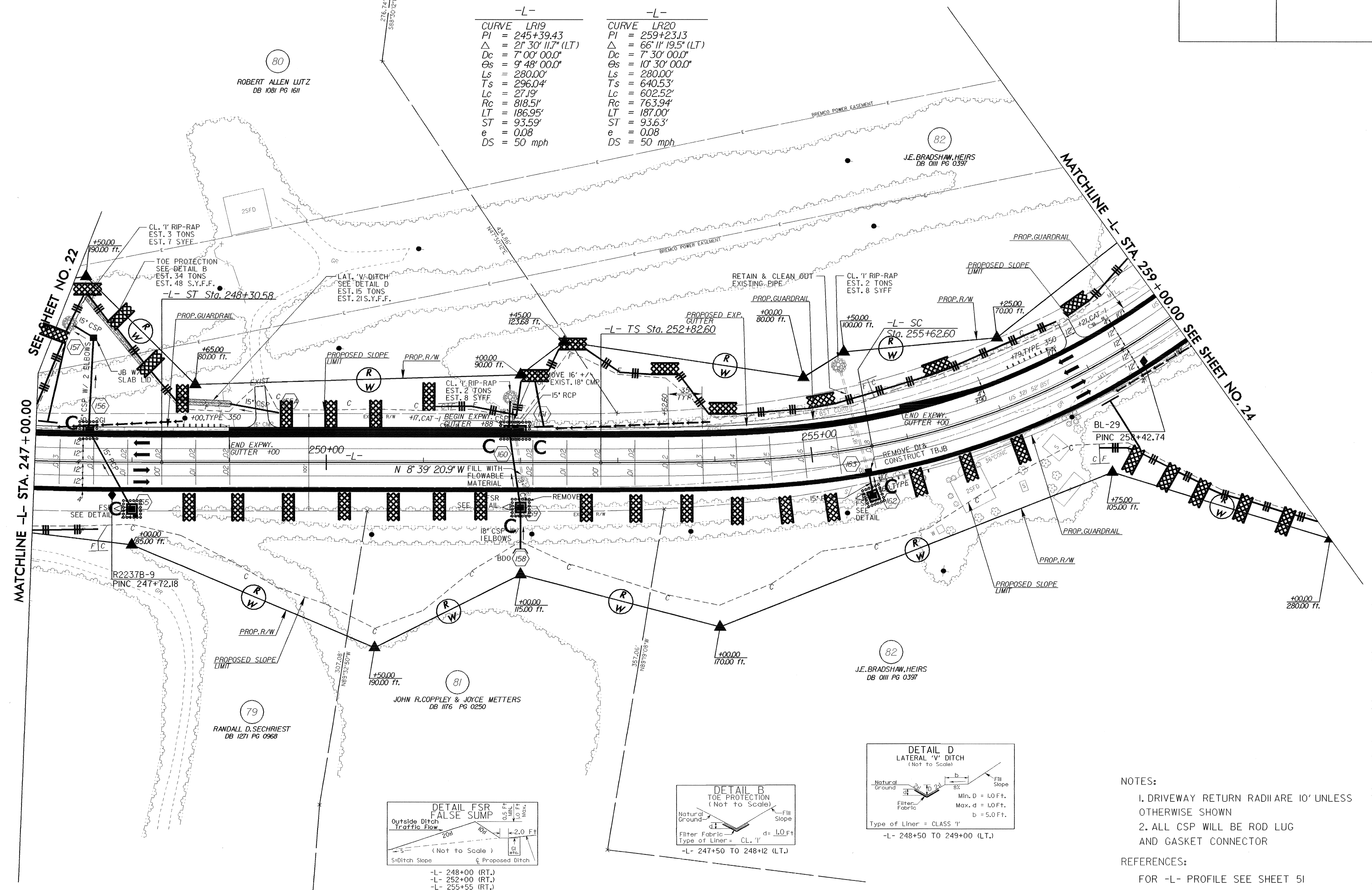


PROJECT REFERENCE NO. R-2237B	SHEET NO. EC-52/CONST 23
R/W SHEET NO.	
ROADWAY DESIGN ENGINEER	HYDRAULICS ENGINEER



-L-		-L-	
CURVE	LR19	CURVE	LR20
PI	= 245+39.43	PI	= 259+23.13
Δ	= 21° 30' 11.7" (LT)	Δ	= 66° 11' 19.5" (LT)
Dc	= 7° 00' 00.0"	Dc	= 7° 30' 00.0"
Θs	= 9° 48' 00.0"	Θs	= 10° 30' 00.0"
Ls	= 280.00'	Ls	= 280.00'
Ts	= 296.04'	Ts	= 640.53'
Lc	= 27.19'	Lc	= 602.52'
Rc	= 818.51'	Rc	= 763.94'
LT	= 186.95'	LT	= 187.00'
ST	= 93.59'	ST	= 93.63'
e	= 0.08	e	= 0.08
DS	= 50 mph	DS	= 50 mph



NOTES:  
 1. DRIVEWAY RETURN RADII ARE 10' UNLESS OTHERWISE SHOWN  
 2. ALL CSP WILL BE ROD LUG AND GASKET CONNECTOR

REFERENCES:  
 FOR -L- PROFILE SEE SHEET 51