

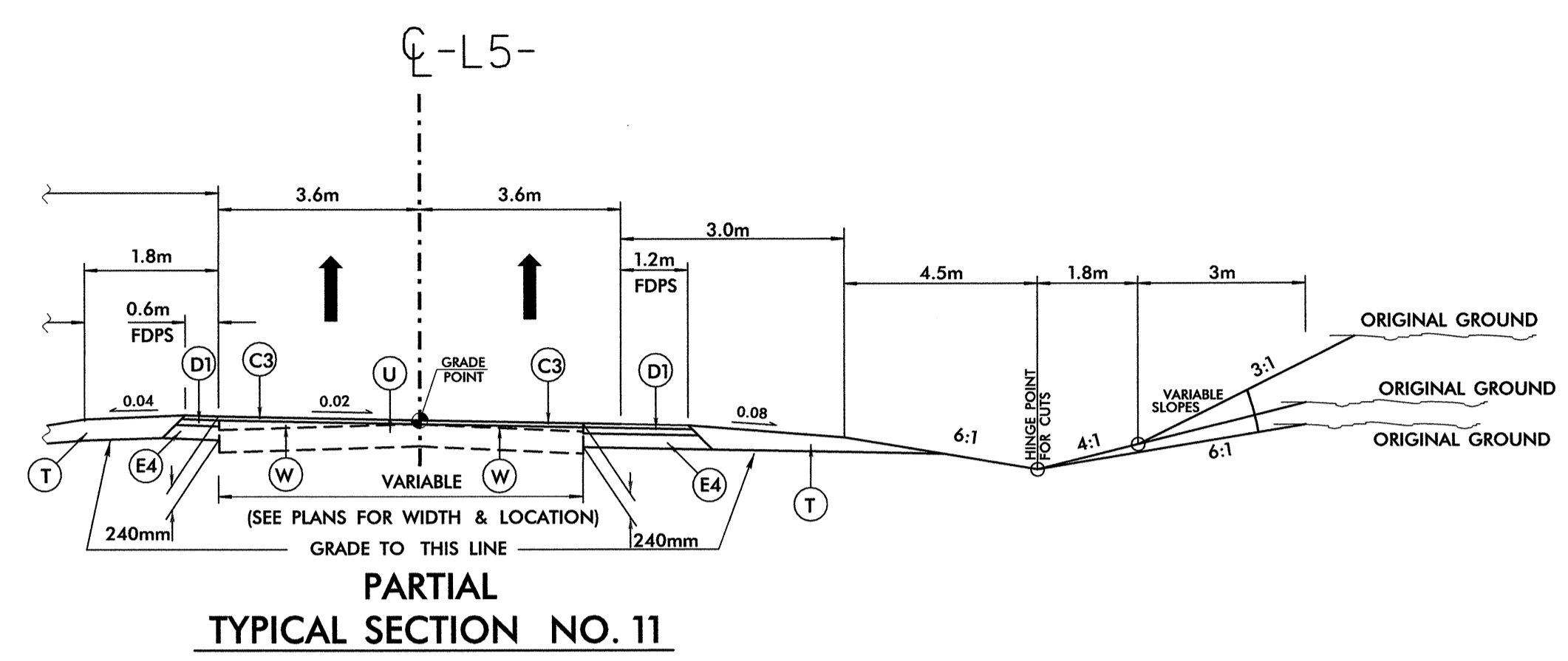
PAYEMENT SCHEDULE	
C1	50 mm ASHPALT CONC. SURFACE COURSE, TYPE S9.5C
C2	60 mm ASHPALT CONC. SURFACE COURSE, TYPE SF9.5A
C3	70 mm ASHPALT CONC. SURFACE COURSE, TYPE S9.5C
C4	VAR. ASHPALT CONC. SURFACE COURSE, TYPE SF9.5A
C5	VAR. ASHPALT CONC. SURFACE COURSE, TYPE S9.5C
D1	80 mm ASHPALT CONC. INTERMEDIATE COURSE, TYPE I19.0C
D2	110 mm ASHPALT CONC. INTERMEDIATE COURSE, TYPE I19.0C
D3	VAR. ASHPALT CONC. INTERMEDIATE COURSE, TYPE I19.0C
E1	75 mm ASHPALT CONC. BASE COURSE, TYPE B25.0C
E2	80 mm ASHPALT CONC. BASE COURSE, TYPE B25.0B
E3	90 mm ASHPALT CONC. BASE COURSE, TYPE B25.0B
E4	90 mm ASHPALT CONC. BASE COURSE, TYPE B25.0C
E5	110 mm ASHPALT CONC. BASE COURSE, TYPE B25.0B
E6	110 mm ASHPALT CONC. BASE COURSE, TYPE B25.0C
E7	VAR. ASHPALT CONC. BASE COURSE, TYPE B25.0B
E8	VAR. ASHPALT CONC. BASE COURSE, TYPE B25.0C
R1	750 mm CONCRETE CURB & GUTTER
R2	1.2m CONCRETE EXPRESSWAY GUTTER
R3	125 mm MONOLITHIC CONC. ISLAND
S	100mm CONCRETE SIDEWALK
T	EARTH MATERIAL
U	EXISTING PAVEMENT
W	VARIABLE DEPTH ASPHALT PAVEMENT

WETHERILL ENGINEERING
 559 Jones Franklin Rd. Suite 164
 Raleigh, N.C. 27606
 Bus: 919 851 8077
 Fax: 919 851 8107

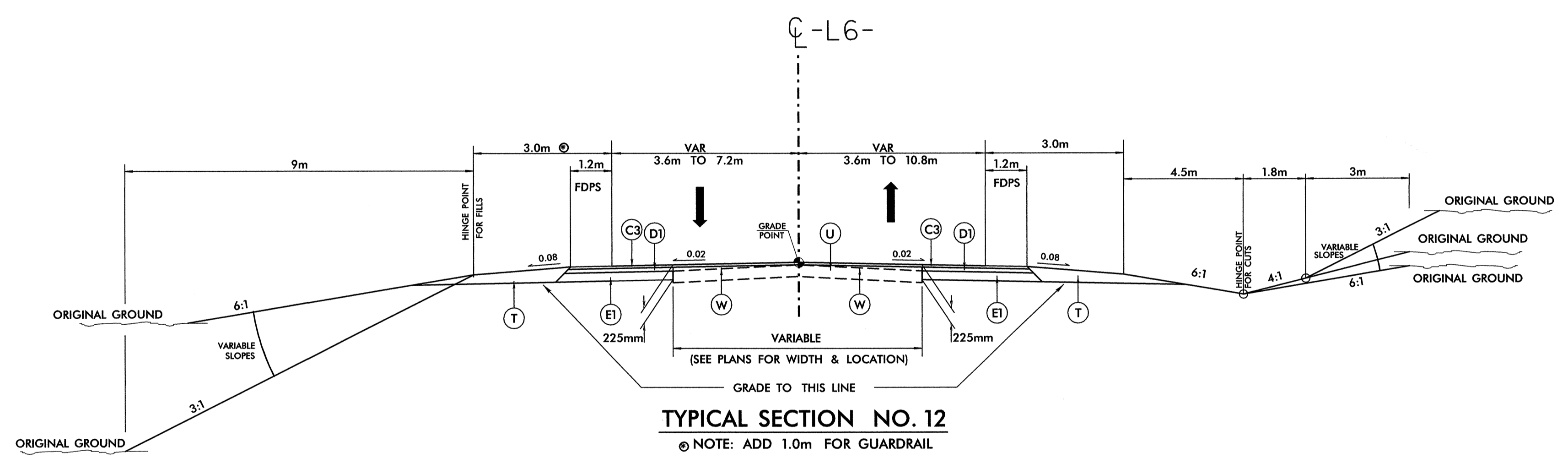
TRANSPORTATION PLANNING/DESIGN - BRIDGE/STRUCTURE DESIGN
 CIVIL/SITE DESIGN - GIS/GPS - CONSTRUCTION OBSERVATION



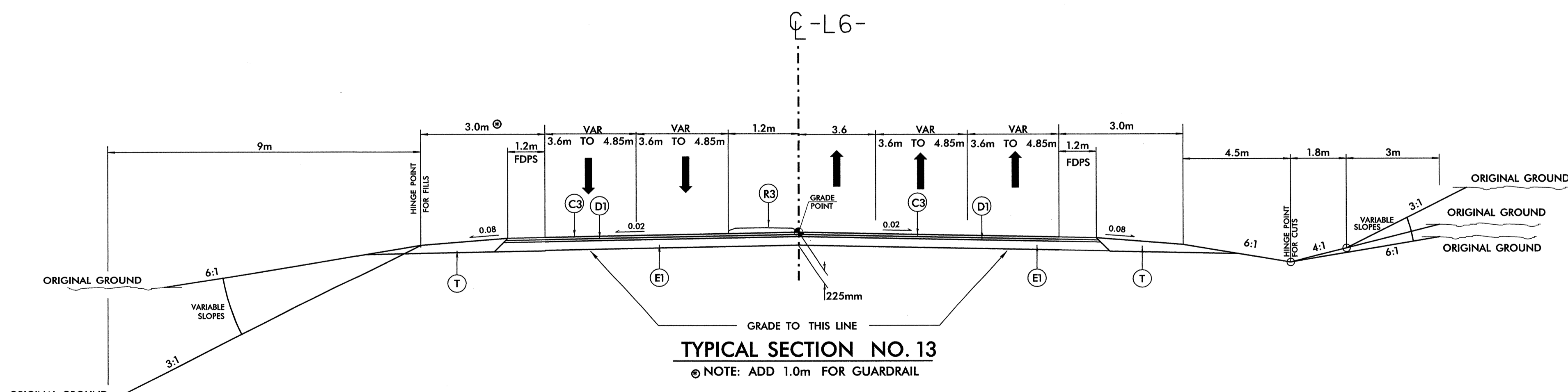
PROJECT REFERENCE NO. R-2562D	SHEET NO. 2-C
ROADWAY DESIGN ENGINEER	PAVEMENT DESIGN ENGINEER
<i>(Signature)</i> SEAL 21116 10/12/04	<i>(Signature)</i> SEAL 22896 11/1/04



USE PARTIAL TYPICAL NO. 11 IN CONJUNCTION WITH TYPICAL NO. 10 FOR THE FOLLOWING
 -L5- STA. 37+35.640 TO STA. 41+02.419
 NOTE: RESURFACE ONLY FROM
 -L5- STA. 40+80.000 TO STA. 41+02.419
 NOTE: SEE PLANS FOR LOCATION OF TURN LANES



USE TYPICAL NO. 12 FOR THE FOLLOWING
 -L6- STA. 11+80.000 TO STA. 16+63.710



USE TYPICAL NO. 13 FOR THE FOLLOWING
 -L6- STA. 16+63.710 TO STA. 17+57.233