



C:\AT\2007\135\135.dwg
 State to Special Data: \\metr\o\86202\386202m.dgn
 Date: 02-09-03
 Drawn by: E.E. Ward
 Checked by: E.E. Ward

STATE OF NORTH CAROLINA
DEPT. OF TRANSPORTATION
DIVISION OF HIGHWAYS
RALEIGH, N.C.

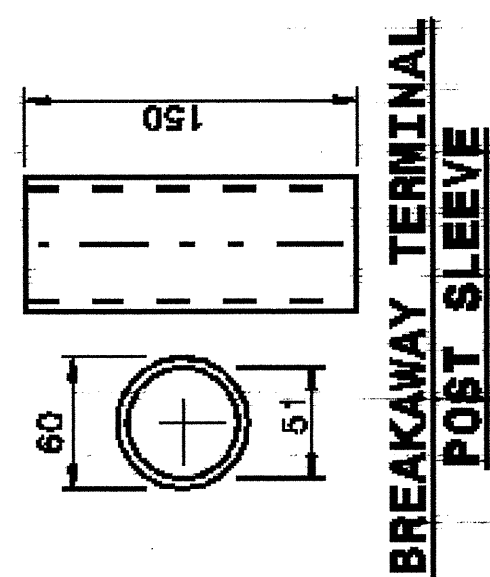
METRIC DETAIL DRAWING FOR
GUARDRAIL INSTALLATION

SHEET 5 OF 7
862D02

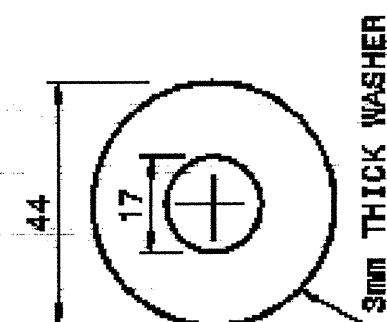
STATE OF NORTH CAROLINA
DEPT. OF TRANSPORTATION
DIVISION OF HIGHWAYS
RALEIGH, N.C.

METRIC DETAIL DRAWING FOR
GUARDRAIL INSTALLATION

SHEET 5 OF 7
862D02



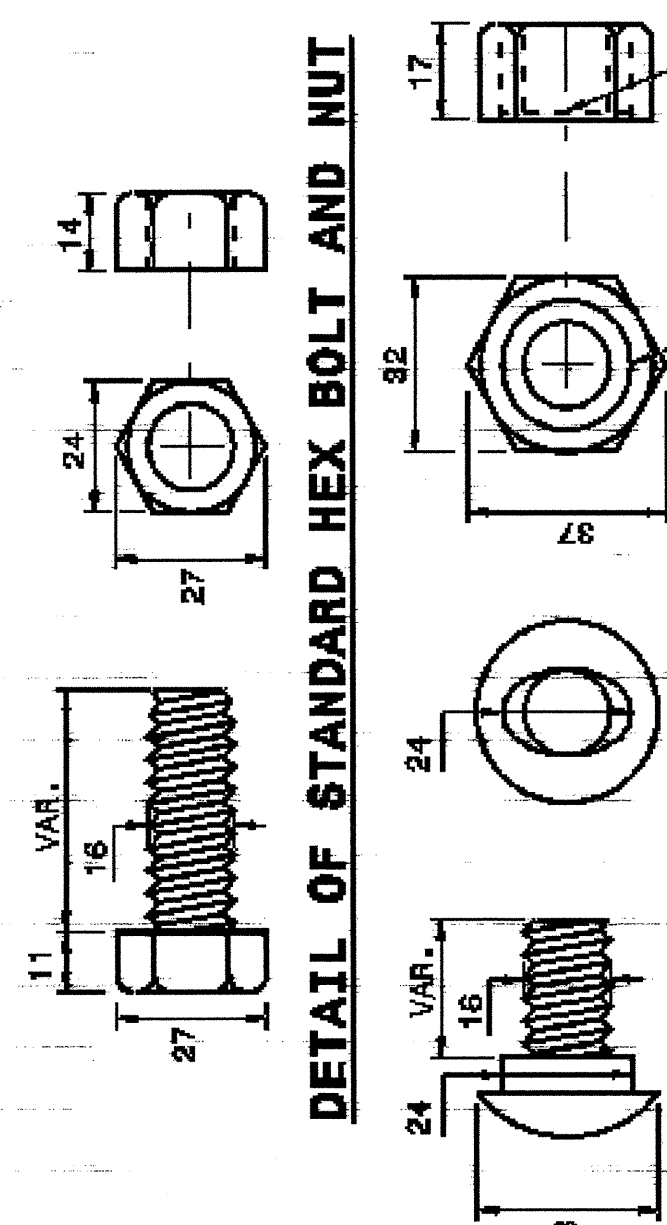
BREAKAWAY TERMINAL
POST SLEEVE



3mm THICK WASHER

DETAIL OF STANDARD WASHER

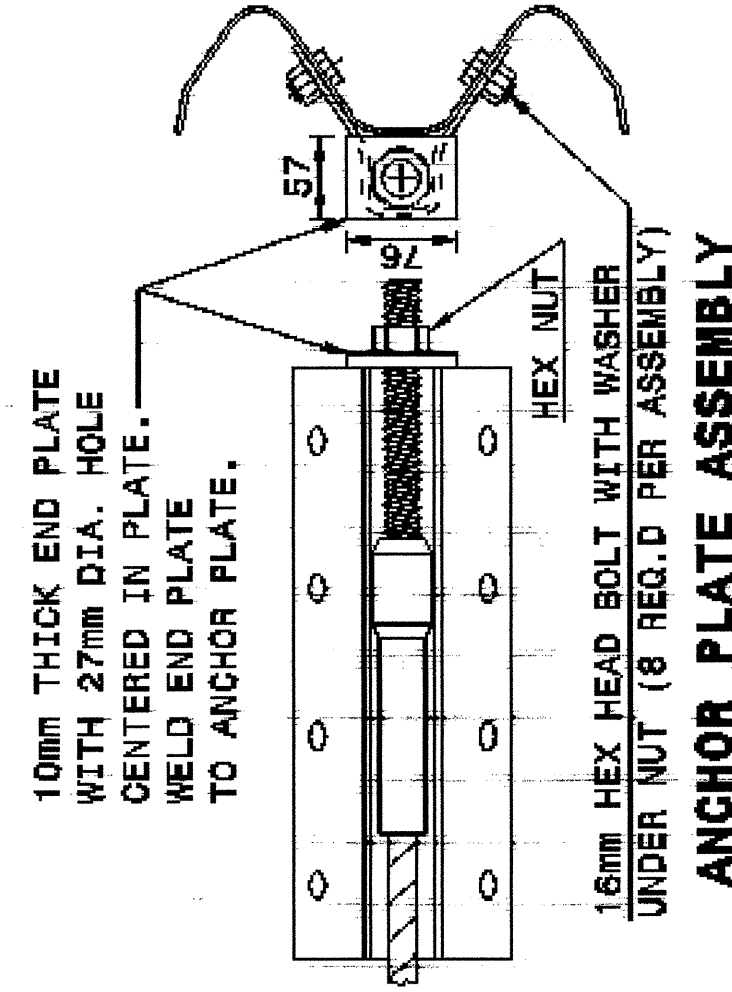
STANDARD WASHER: TYPICAL USE UNDER NUT WITH WOOD POST



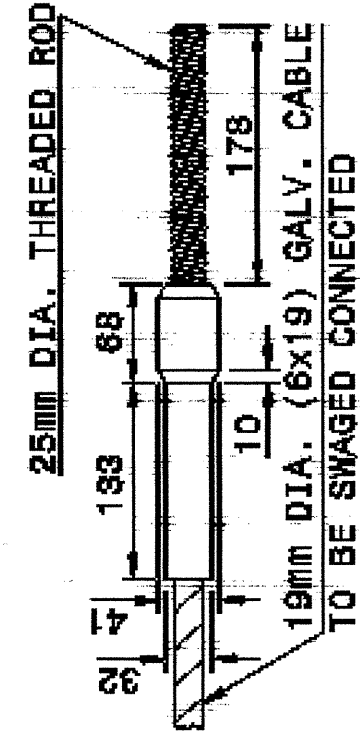
DETAIL OF STANDARD HEX BOLT AND NUT

DETAIL OF BUTTON HEAD BOLT AND NUT

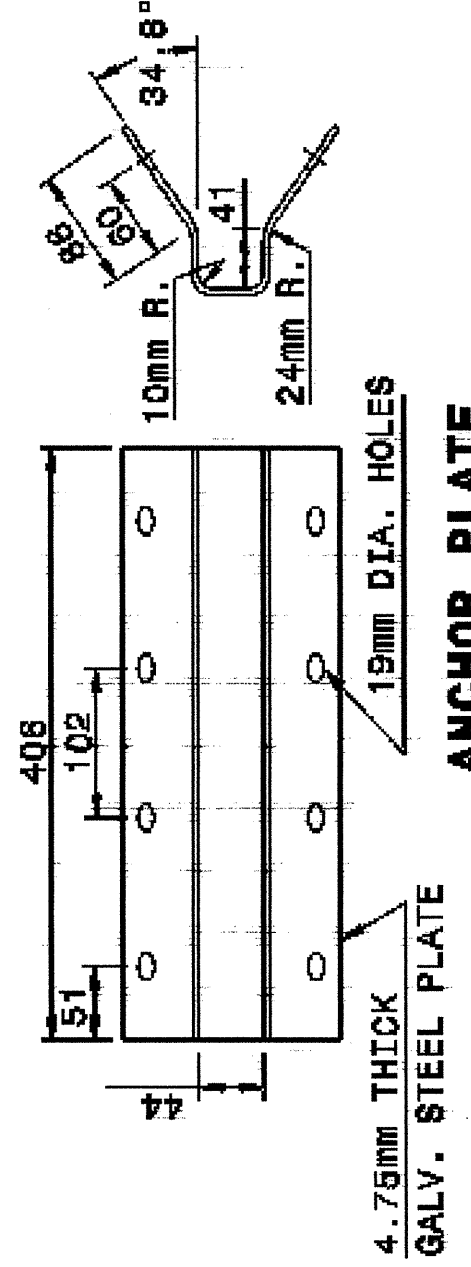
Note:
This drawing is dimensioned in millimeters unless otherwise depicted within the drawing.



ANCHOR PLATE ASSEMBLY



SWAGED CABLE



ANCHOR PLATE

CABLE ASSEMBLY

SYSTEM PARTS

STATE OF NORTH CAROLINA
DEPT. OF TRANSPORTATION
DIVISION OF HIGHWAYS
RALEIGH, N.C.

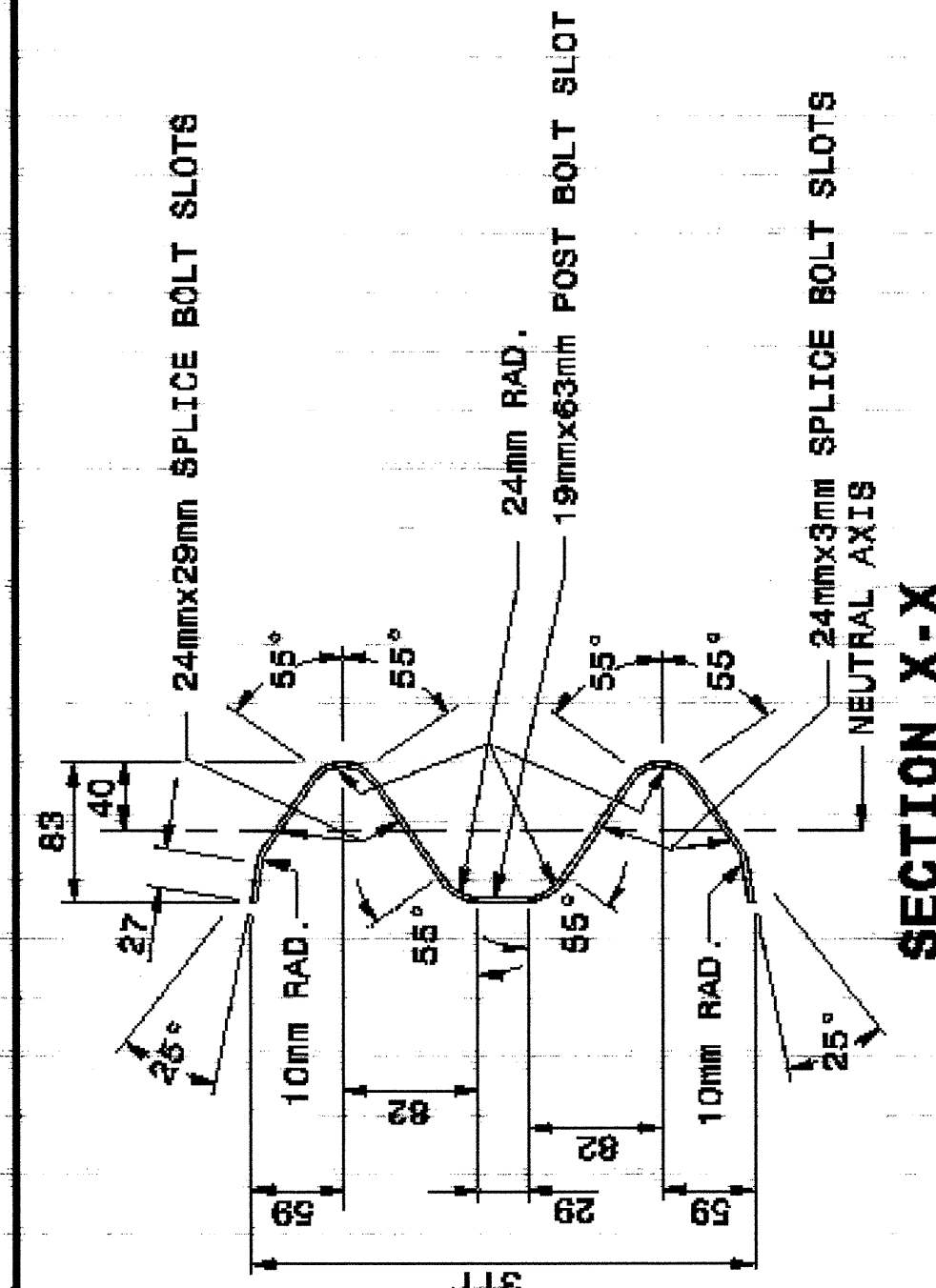
METRIC DETAIL DRAWING FOR
GUARDRAIL INSTALLATION

SHEET 6 OF 7
862D02

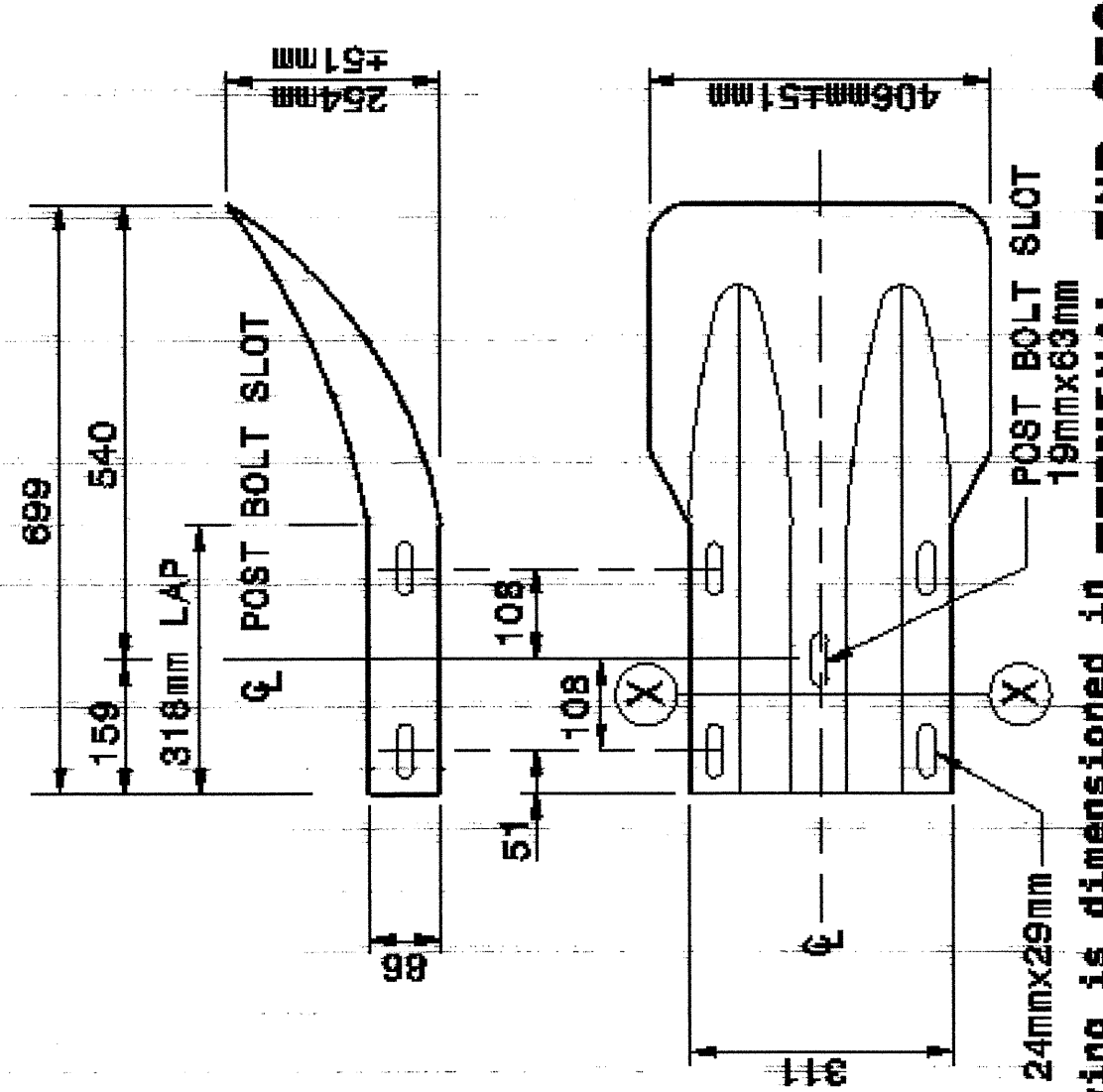
STATE OF NORTH CAROLINA
DEPT. OF TRANSPORTATION
DIVISION OF HIGHWAYS
RALEIGH, N.C.

METRIC DETAIL DRAWING FOR
GUARDRAIL INSTALLATION

SHEET 6 OF 7
862D02

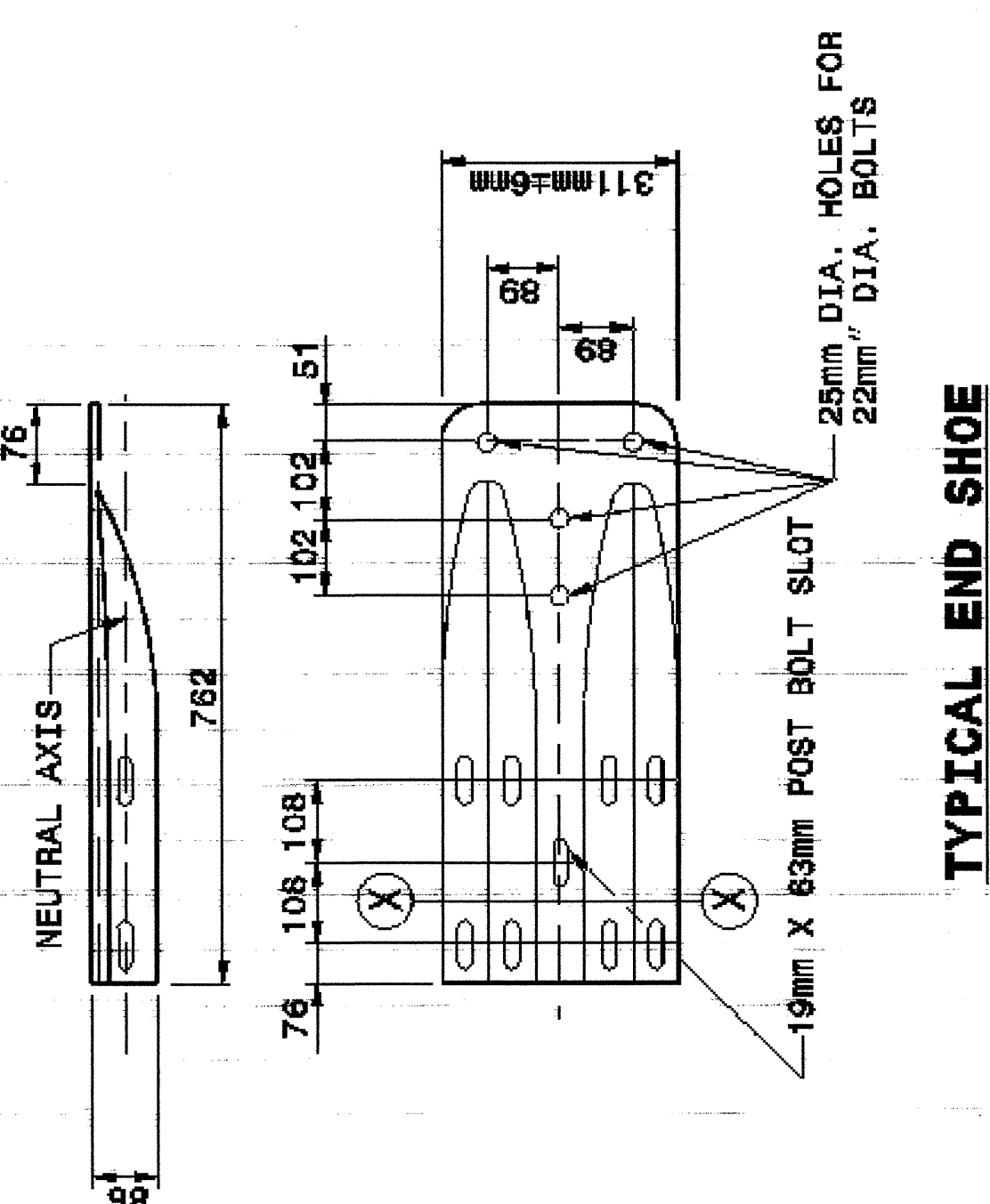


SECTION X-X



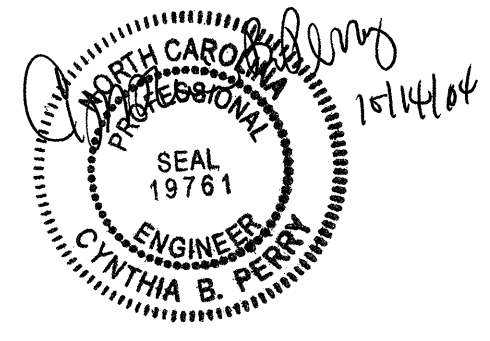
TERMINAL END SECTION

Note:
This drawing is dimensioned in millimeters unless otherwise depicted within the drawing.



TYPICAL END SHOE

SYSTEM PARTS - GENERAL USE



DESIGN SERVICES UNIT
STANDARDS AND SPECIAL DESIGN
Office 919-250-4128 FAX 919-250-4118

SEE PLATE FOR TITLE

ORIGINAL BY: 2002 STD.862.02 DATE: 02-09-03
 MODIFIED BY: E.E. WARD DATE: 02-09-03
 CHECKED BY: DATE:
 FILE SPEC.: \\usr\stds\02\detail\metric\86202\86202m.dgn