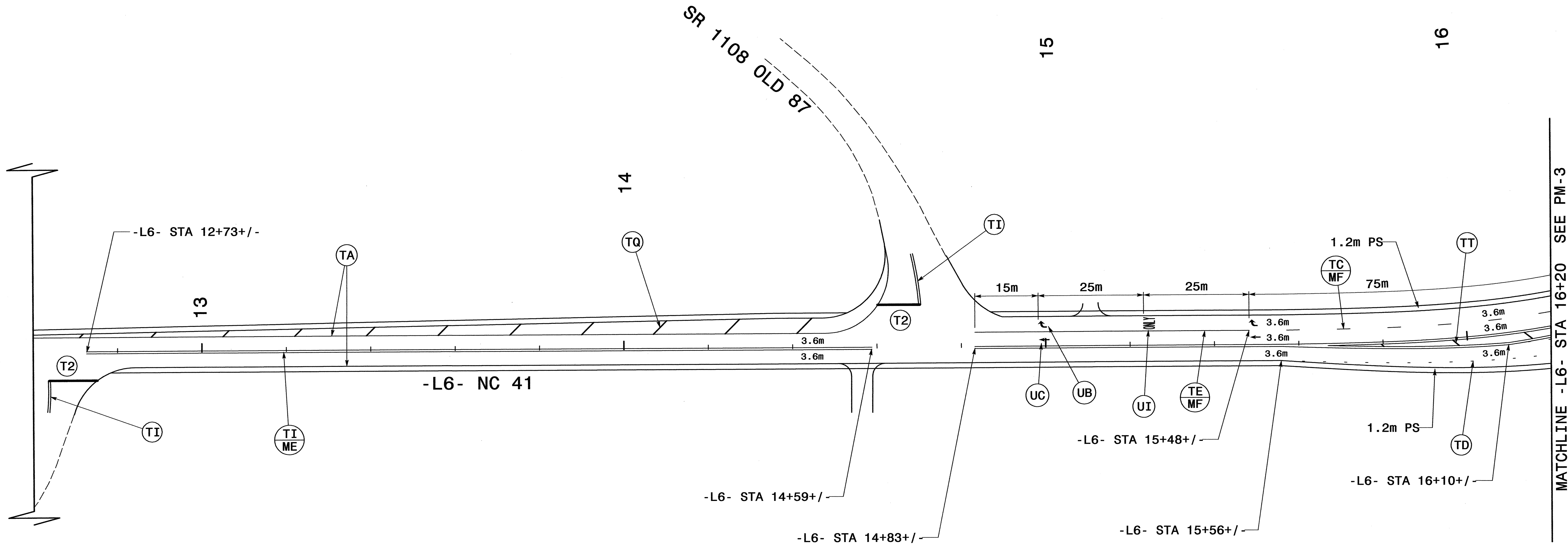




PROJ. REFERENCE NO.	SHEET NO.
R-2562D	PM-6



MATCHLINE -L6- STA 16+20 SEE PM-3



SEE PM-1 FOR PAVEMENT MARKING SCHEDULE

FINAL PAVEMENT MARKINGS

SCALE:	NONE		REVISIONS
DATE:	9/2004		
DWG. BY:	KWB		
DESIGN BY:	KWB		
REVIEWED BY:	TRH		



PO BOX 30128 TELE 919.788.0224
RALEIGH, NC 27622 FAX 919.788.0232

9/19/2004 10:33:41 AM F:\PROJECTS\Weather\IN-2562D\TRFFICCONTROL\TOP\PM-6.PEN.dgn