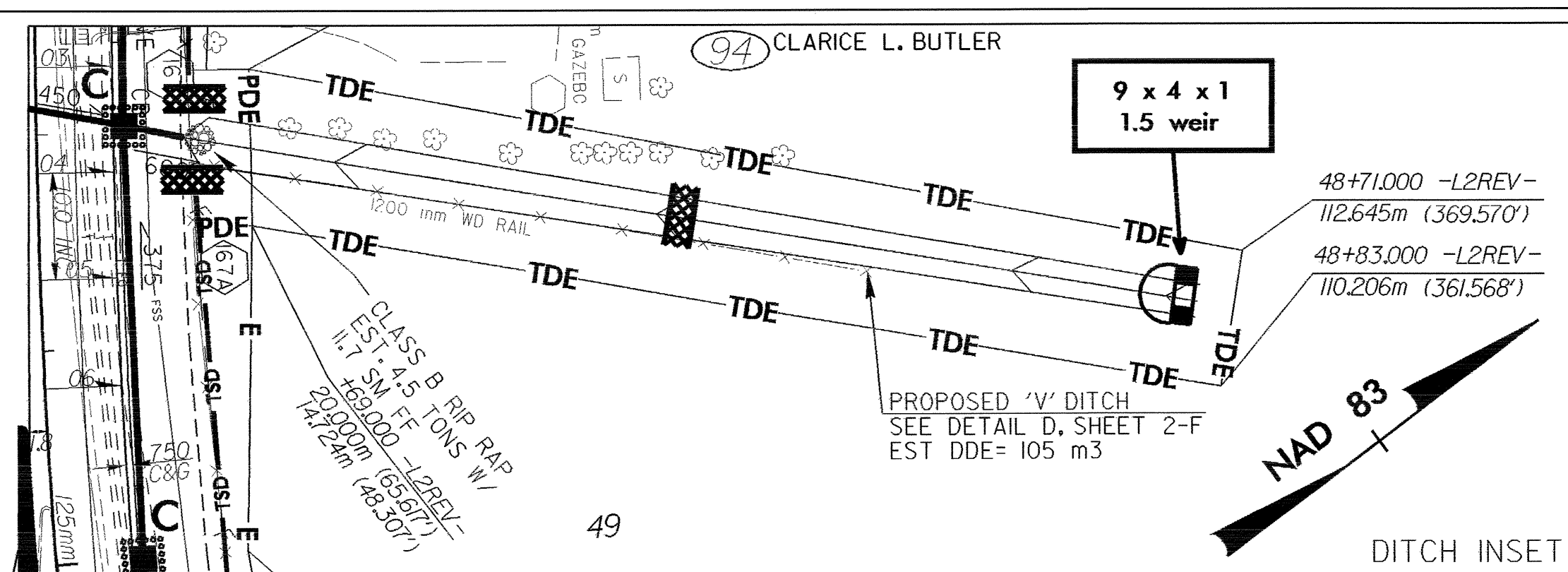
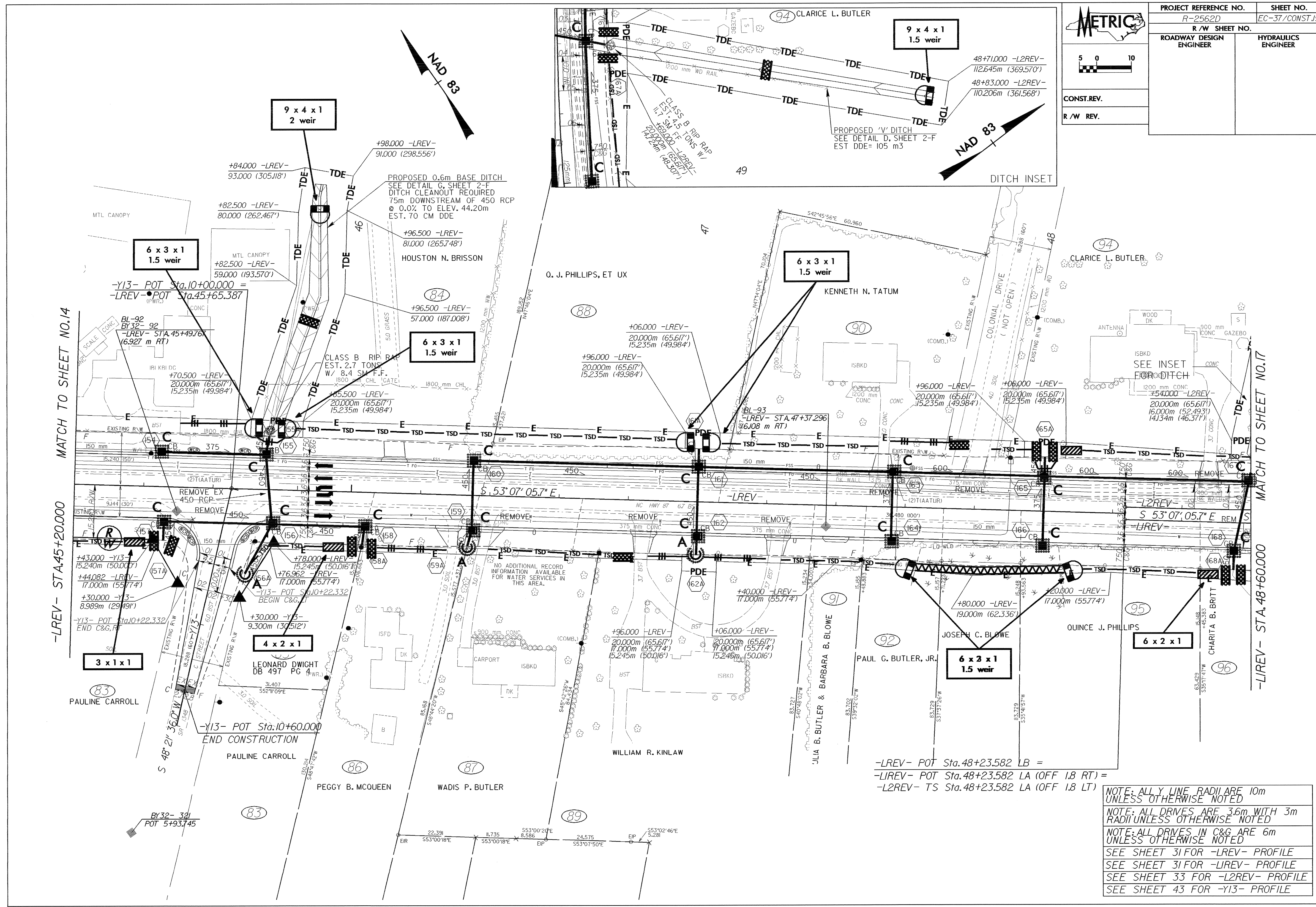
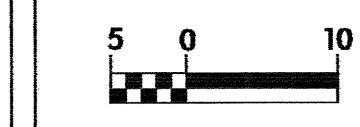


PROJECT REFERENCE NO. R-2562D		SHEET NO. EC-37/CONST.15	
R/W SHEET NO.			
ROADWAY DESIGN ENGINEER		HYDRAULICS ENGINEER	
CONST. REV.		R/W REV.	



MATCH TO SHEET NO.14

-LREV- STA.45+20.000

MATCH TO SHEET NO.17

-LREV- STA.48+60.000

-LREV- POT Sta.48+23.582 LB =
 -LREV- POT Sta.48+23.582 LA (OFF 1.8 RT) =
 -L2REV- TS Sta.48+23.582 LA (OFF 1.8 LT)

NOTE: ALLY LINE RADI ARE 10m UNLESS OTHERWISE NOTED
 NOTE: ALL DRIVES ARE 3.6m WITH 3m RADI UNLESS OTHERWISE NOTED
 NOTE: ALL DRIVES IN C&G ARE 6m UNLESS OTHERWISE NOTED
 SEE SHEET 31 FOR -LREV- PROFILE
 SEE SHEET 31 FOR -LIREV- PROFILE
 SEE SHEET 33 FOR -L2REV- PROFILE
 SEE SHEET 43 FOR -Y13- PROFILE