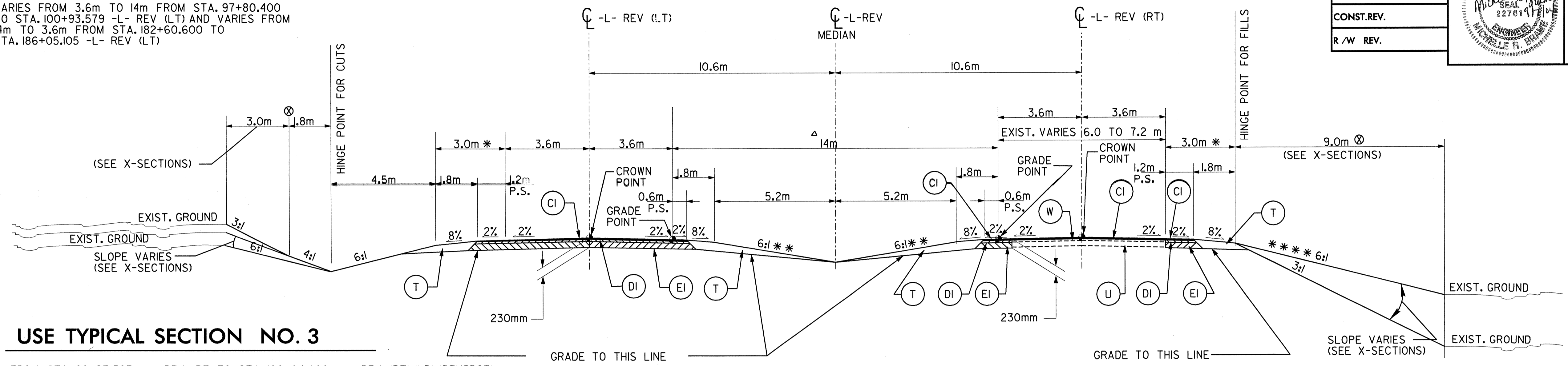


* USE 4.0m WITH GUARDRAIL
 ** VARIES FROM 12:1 TO 5:1, 6:1 IS NORMAL
 *** MIN. SLOPE 10:1 FROM STA. 164+00 TO STA. 165+60 RT.
 Δ VARIES FROM 3.6m TO 14m FROM STA. 97+80.400 TO STA. 100+93.579 -L- REV (LT) AND VARIES FROM 14m TO 3.6m FROM STA. 182+60.600 TO STA. 186+05.105 -L- REV (LT)

⊗ WHEN THESE DISTANCES INDICATE SLOPES OUTSIDE THE LIMITS 6:1 TO 3:1, THE DISTANCE BECOMES VARIABLE AND THE MAXIMUM OR MINIMUM SLOPE MAINTAINED.



USE TYPICAL SECTION NO. 3
 FROM STA. 98+27.587 -L- REV (RT) TO STA. 100+94.090 -L- REV (RT) (LB) (REVERSE)
 FROM STA. 101+04.620 -L- REV (LA) TO STA. 112+20.000 -L- REV
 FROM STA. 112+20.000 -L- REV TO STA. 178+47.500 -L- REV
 FROM STA. 179+11.500 -L- REV TO STA. 182+49.799 -L- REV (LB)
 FROM STA. 182+61.041 -L- REV (RT) (LA) TO STA. 186+41.594 -L- REV (RT) (LB)

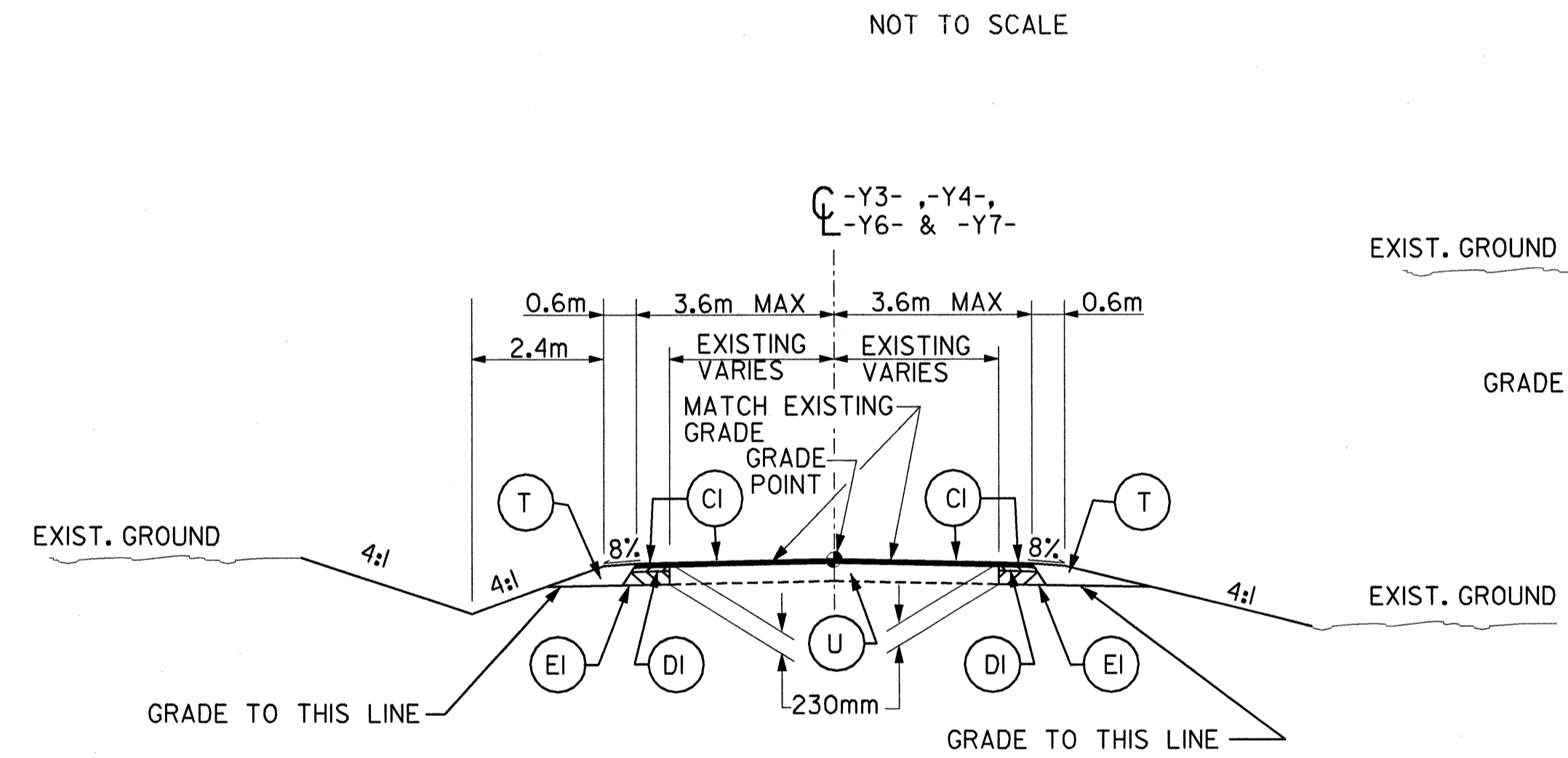
TYPICAL SECTION NO. 3

NOT TO SCALE

PAVEMENT SCHEDULE

CODE	DESCRIPTION
(C1)	PROP. APPROX. 70mm ASPHALT CONC. SURFACE COURSE, TYPE S9.5C, AT AN AVERAGE RATE OF 84 kg PER SQ. METER IN EACH OF TWO LAYERS.
(C2)	PROP. VAR. DEPTH ASPHALT CONC. SURFACE COURSE, TYPE S9.5C, AT AN AVERAGE RATE OF 2.40 kg PER SQ. METER PER 1mm DEPTH, TO BE PLACED IN LAYERS NOT TO EXCEED 40 mm IN DEPTH.
(D1)	PROP. APPROX. 80mm ASPHALT CONC. INTERMEDIATE COURSE, TYPE I19.0C AT AN AVERAGE RATE OF 196 kg PER SQ. METER.
(D2)	PROP. VAR. DEPTH ASPHALT CONC. INTERMEDIATE COURSE, TYPE I19.0C, AT AN AVERAGE RATE OF 2.45 kg PER SQ. METER PER 1mm DEPTH, TO BE PLACED IN LAYERS NOT LESS THAN 55 mm OR GREATER THAN 110 mm IN DEPTH.
(E1)	PROP. APPROX. 80mm ASPHALT CONC. BASE COURSE, TYPE B25.0C, AT AN AVERAGE RATE OF 196 kg PER SQ. METER.
(E2)	PROP. VAR. DEPTH ASPHALT CONC. BASE COURSE, TYPE B25.0C, AT AN AVERAGE RATE OF 2.45 kg PER SQ. METER PER 1mm DEPTH, TO BE PLACED IN LAYERS NOT LESS THAN 75 mm IN DEPTH OR GREATER THAN 140 mm IN DEPTH.
(R)	750mm CONCRETE CURB AND GUTTER.
(S)	CONCRETE SIDEWALK.
(T)	EARTH MATERIAL.
(U)	EXISTING PAVEMENT.
(W)	VARIABLE DEPTH ASPHALT PAVEMENT. (SEE WEDGING DETAIL)

USE 1:1 PAVEMENT EDGE SLOPES UNLESS OTHERWISE NOTED

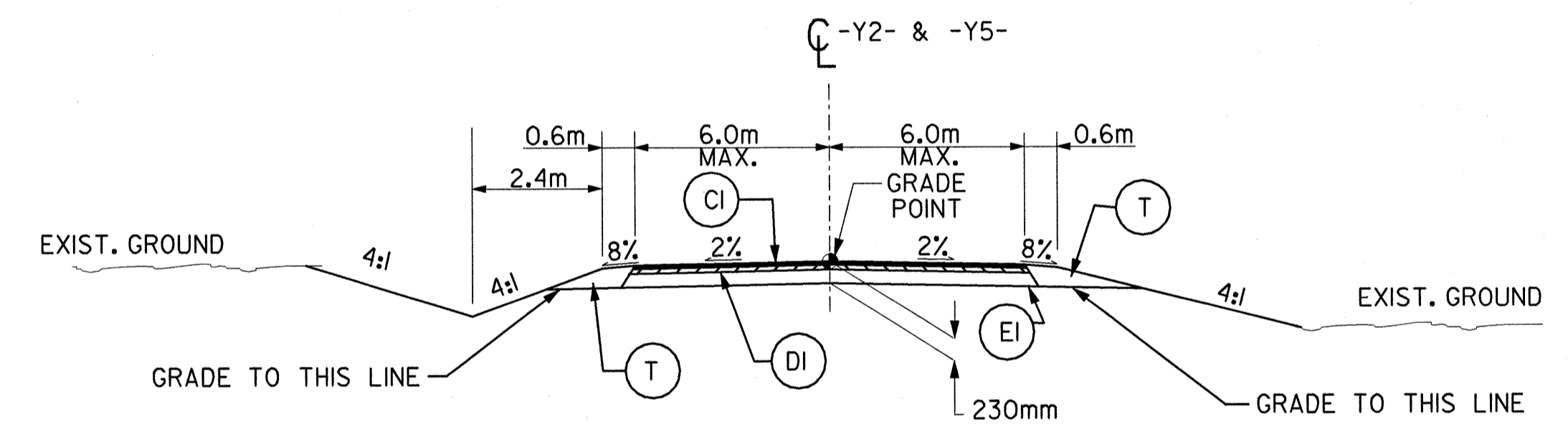


TYPICAL SECTION NO. 4

NOT TO SCALE

USE TYPICAL SECTION NO. 4

-Y3- STA. 10+14.400 TO STA. 10+71.190
 -Y4- STA. 10+14.500 TO STA. 10+80.000
 -Y6- STA. 10+14.600 TO STA. 10+70.000
 -Y7- STA. 10+09.200 TO STA. 10+55.452

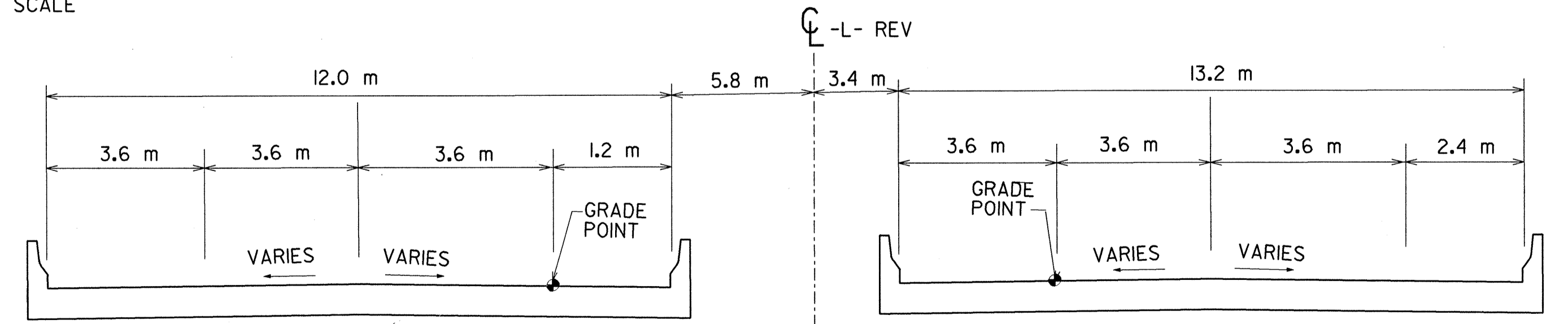


TYPICAL SECTION NO. 5

NOT TO SCALE

USE TYPICAL SECTION NO. 5

-Y2- STA. 10+14.000 TO STA. 10+75.000
 -Y5- STA. 10+14.200 TO STA. 10+75.456



TYPICAL SECTION ON STRUCTURE

STA. 178+47.500 -L- REV TO STA. 179+11.500 -L- REV

NOT TO SCALE