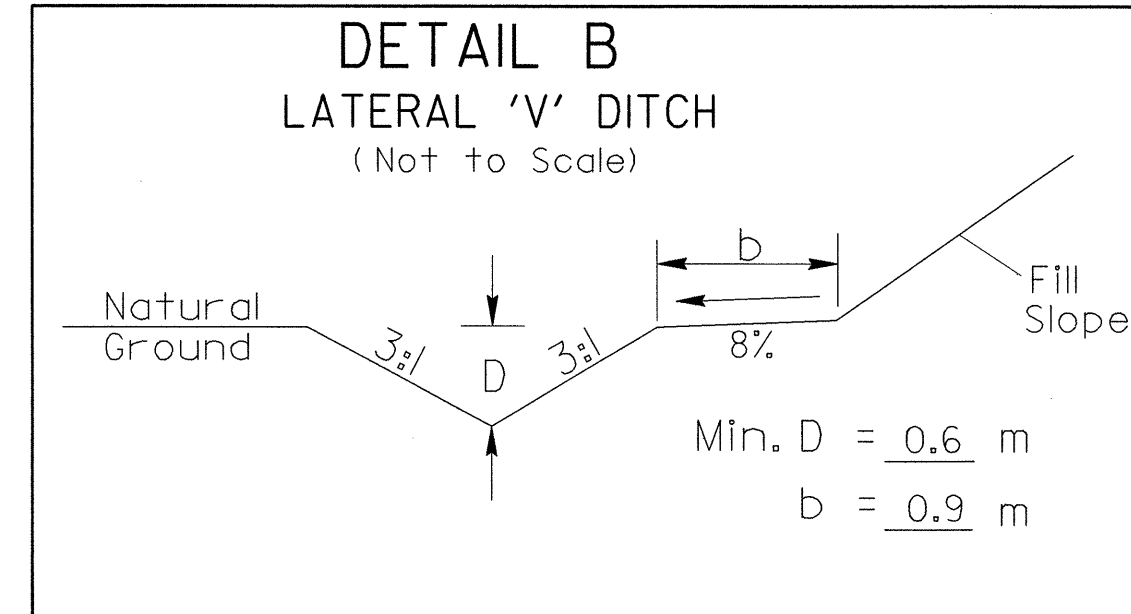
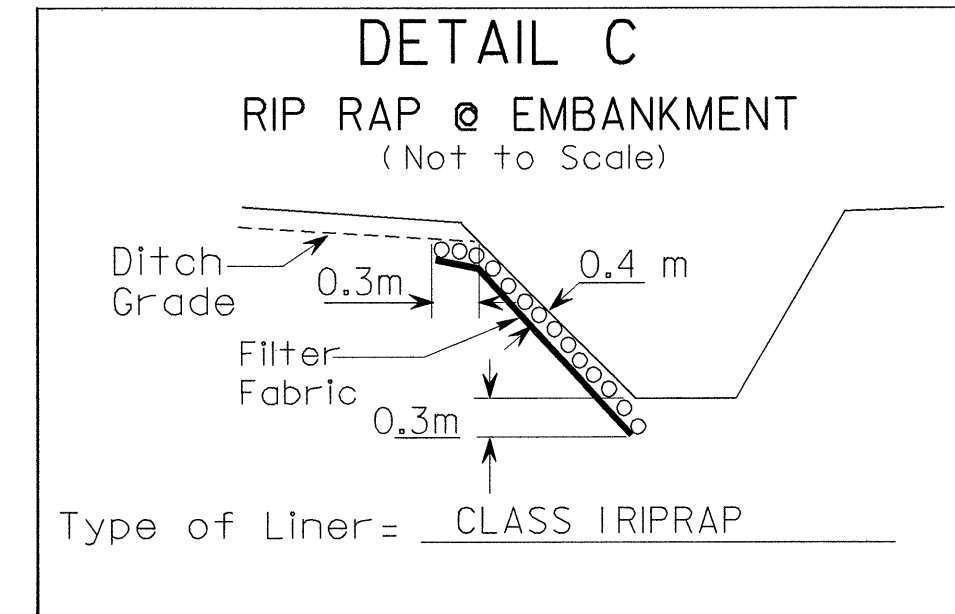


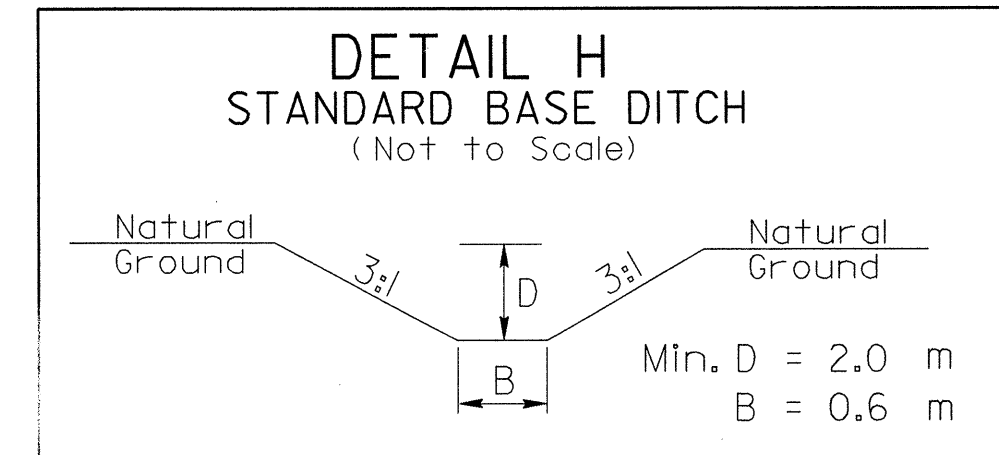
- L- REV LT 97+80 TO 98+40 - DT. GR. SEE PROF. SHT. 32
- L- REV LT 101+20 TO 101+46 - DT. GR. SEE PROF. SHT. 32
- L- REV LT 112+00 TO 112+20 - DT. GR. SEE PROF. SHT. 34
- L- REV LT 120+20 TO 120+80 - DT. GR. SEE PROF. SHT. 35
- L- REV LT 129+93 TO 130+60 - DT. GR. SEE PROF. SHT. 37
- L- REV LT 132+00 TO 132+30 - DT. GR. SEE PROF. SHT. 37
- L- REV LT 138+00 TO 139+20 - DT. GR. SEE PROF. SHT. 38
- L- REV LT 145+60 TO 145+80 - DT. GR. SEE PROF. SHT. 39
- L- REV LT 147+00 TO 147+60 - DT. GR. SEE PROF. SHT. 39
- L- REV LT 155+68 TO 161+80 - DT. GR. SEE PROF. SHTS. 40 & 41
- L- REV LT 165+90 TO 166+20 - DT. GR. SEE PROF. SHT. 42
- L- REV LT 167+00 TO 167+40 - DT. GR. SEE PROF. SHT. 42
- L- REV LT 167+50 TO 168+28 - DT. GR. SEE PROF. SHT. 42
- L- REV LT 169+14 TO 169+90 - DT. GR. SEE PROF. SHT. 42
- L- REV LT 170+40 TO 171+20 - DT. GR. SEE PROF. SHT. 43
- L- REV LT 173+95 TO 175+45 - DT. GR. SEE PROF. SHT. 43
- L- REV LT 182+90 TO 183+30 - DT. GR. SEE PROF. SHT. 44
- L- REV RT 97+40 TO 98+40 - DT. GR. SEE PROF. SHT. 32
- L- REV RT 101+20 TO 101+60 - DT. GR. SEE PROF. SHT. 32
- L- REV RT 102+55 TO 102+80 - DT. GR. SEE PROF. SHT. 33
- L- REV RT 109+47 TO 109+75 - DT. GR. SEE PROF. SHT. 34
- L- REV RT 110+00 TO 110+40 - DT. GR. SEE PROF. SHT. 34
- L- REV RT 112+00 TO 112+20 - DT. GR. SEE PROF. SHT. 34
- L- REV RT 112+22 TO 113+20 - DT. GR. SEE PROF. SHT. 34
- L- REV RT 122+33 TO 122+80 - DT. GR. SEE PROF. SHTS. 35 & 36
- L- REV RT 124+60 TO 124+80 - DT. GR. SEE PROF. SHT. 36
- L- REV LT 129+00 TO 129+13 - DT. GR. SEE PROF. SHT. 36
- L- REV LT 129+20 TO 129+30 - DT. GR. SEE PROF. SHT. 36
- L- REV RT 131+00 TO 131+20 - DT. GR. SEE PROF. SHT. 37
- L- REV RT 138+00 TO 138+50 - DT. GR. SEE PROF. SHT. 38
- L- REV RT 141+10 TO 142+00 - DT. GR. SEE PROF. SHT. 38
- L- REV RT 142+40 TO 142+70 - DT. GR. SEE PROF. SHTS. 38 & 39
- L- REV RT 144+10 TO 144+40 - DT. GR. SEE PROF. SHT. 39
- L- REV RT 144+70 TO 145+80 - DT. GR. SEE PROF. SHT. 39
- L- REV RT 146+90 TO 147+40 - DT. GR. SEE PROF. SHT. 39
- L- REV RT 148+05 TO 149+80 - DT. GR. SEE PROF. SHTS. 39 & 40
- L- REV RT 151+80 TO 152+95 - DT. GR. SEE PROF. SHT. 40
- L- REV RT 154+20 TO 154+40 - DT. GR. SEE PROF. SHT. 40
- L- REV RT 160+10 TO 162+20 - DT. GR. SEE PROF. SHT. 41
- L- REV RT 169+00 TO 169+44 - DT. GR. SEE PROF. SHT. 42
- L- REV RT 169+68 TO 169+90 - DT. GR. SEE PROF. SHT. 42
- L- REV RT 171+40 TO 171+80 - DT. GR. SEE PROF. SHT. 43
- L- REV RT 173+50 TO 173+80 - DT. GR. SEE PROF. SHT. 43
- L- REV RT 175+20 TO 175+45 - DT. GR. SEE PROF. SHT. 43
- L- REV RT 176+40 TO 176+90 - DT. GR. SEE PROF. SHT. 43
- L- REV RT 180+10 TO 181+00 - DT. GR. SEE PROF. SHT. 44
- L- REV RT 181+80 TO 182+20 - DT. GR. SEE PROF. SHT. 44
- L- REV RT 182+40 TO 182+87 - DT. GR. SEE PROF. SHT. 44
- L- REV RT 185+74 TO 186+00 - DT. GR. SEE PROF. SHT. 45
- L- REV RT 162+52 TO 162+70 - DT. GR. SEE PROF. SHT. 41
- L- REV RT 179+60 TO 179+80 - DT. GR. SEE PROF. SHT. 44
- Y5- LT 10+40 TO 10+60 - DT. GR. SEE PROF. SHT. 47
- Y5- RT 10+40 TO 10+60 - DT. GR. SEE PROF. SHT. 47
- Y6- RT 10+40 TO 10+50 - DT. GR. SEE PROF. SHT. 47



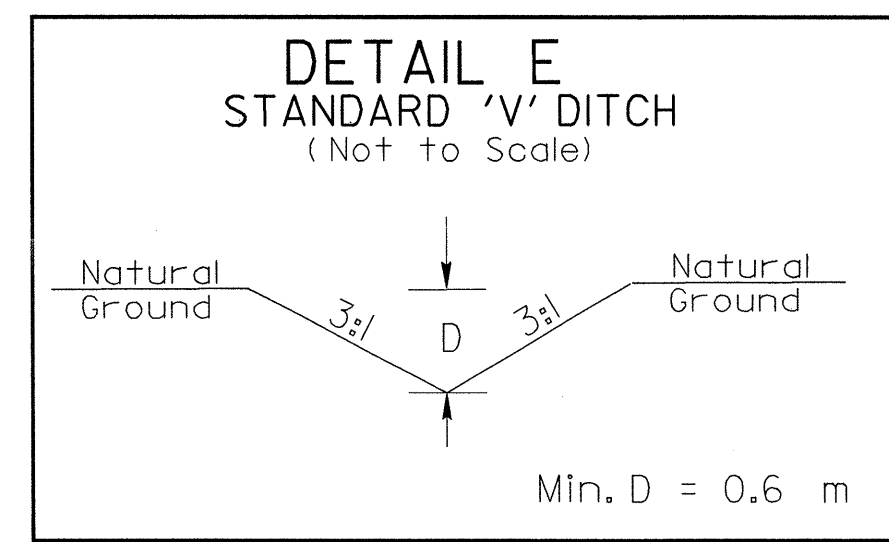
- L- REV LT 112+20 TO 112+62 - DT. GR. SEE PROF. SHT. 34
- L- REV LT 124+20 TO 124+85 - DT. GR. SEE PROF. SHT. 36
- L- REV LT 124+92 TO 125+80 - DT. GR. SEE PROF. SHT. 36
- L- REV LT 151+40 TO 152+60 - DT. GR. SEE PROF. SHT. 40
- L- REV RT 122+19 TO 122+28 - DT. GR. SEE PROF. SHT. 35
- L- REV RT 126+33 TO 127+60 - DT. GR. SEE PROF. SHT. 36
- L- REV RT 138+50 TO 139+30 - DT. GR. SEE PROF. SHT. 38
- L- REV RT 184+17 TO 184+60 - DT. GR. SEE PROF. SHT. 45



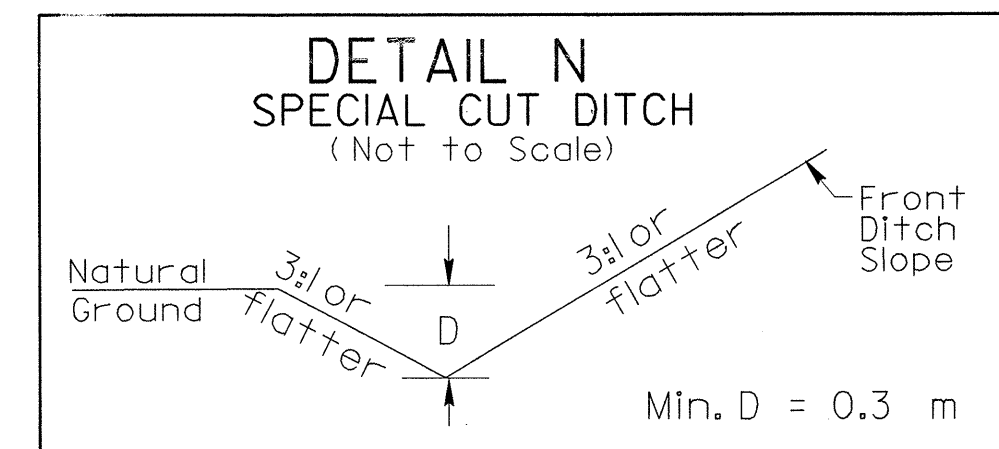
- L- REV RT 102+47 TO 102+54
- L- REV RT 146+75, 25m TO 50m



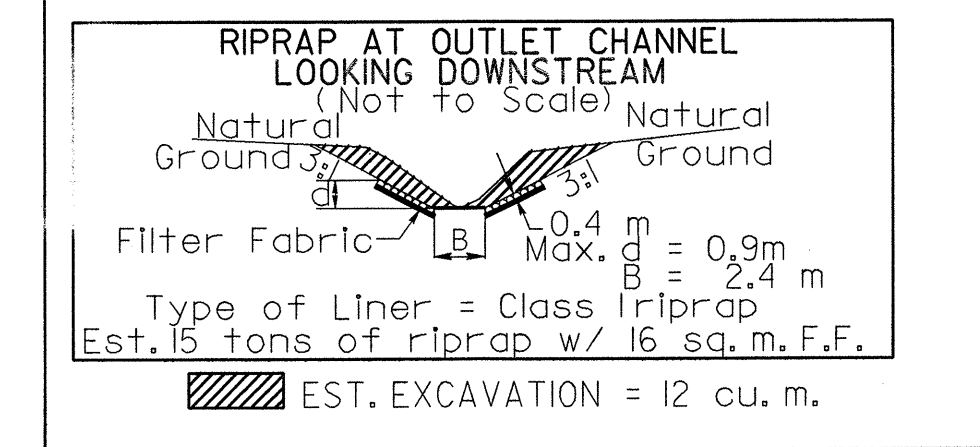
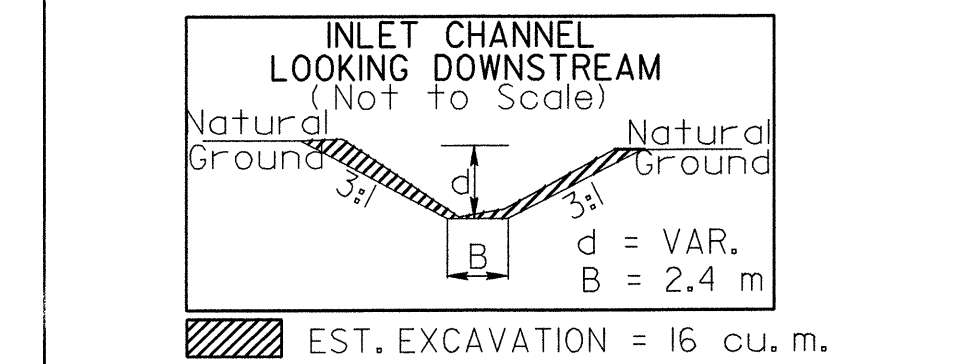
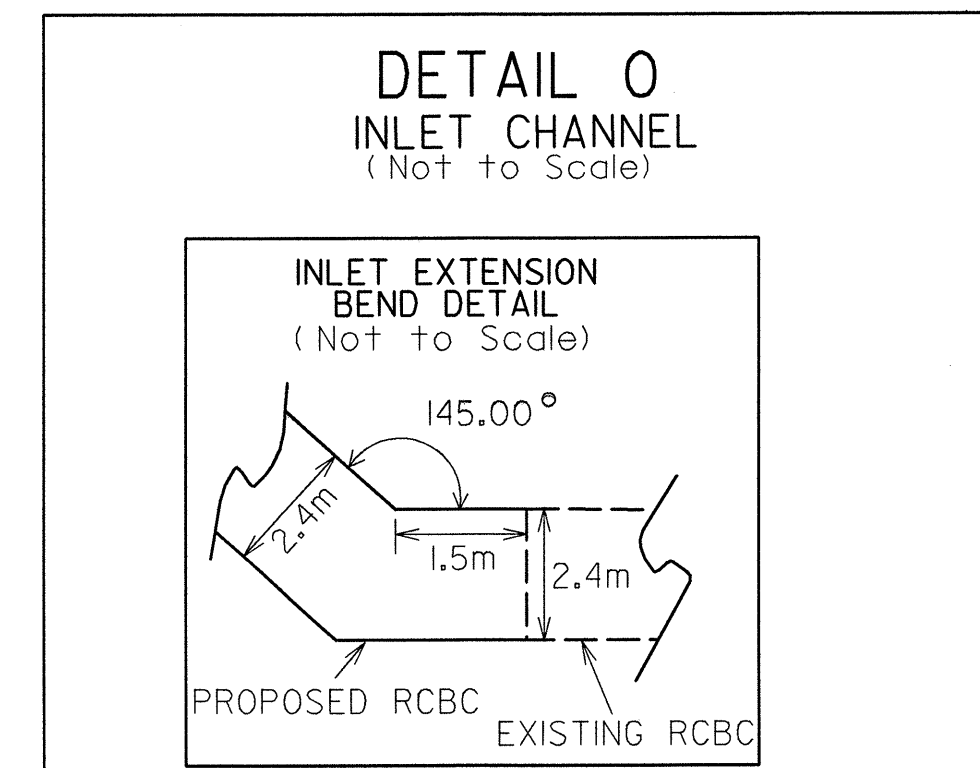
- L- REV LT 138+20, 25m TO 96m



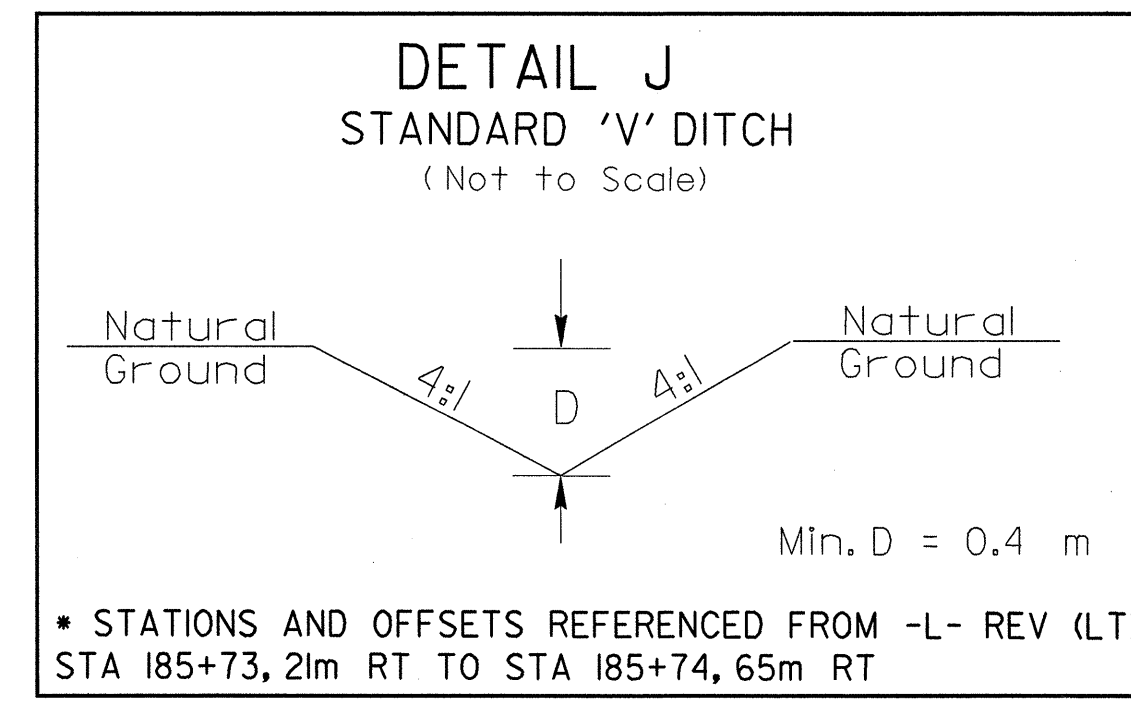
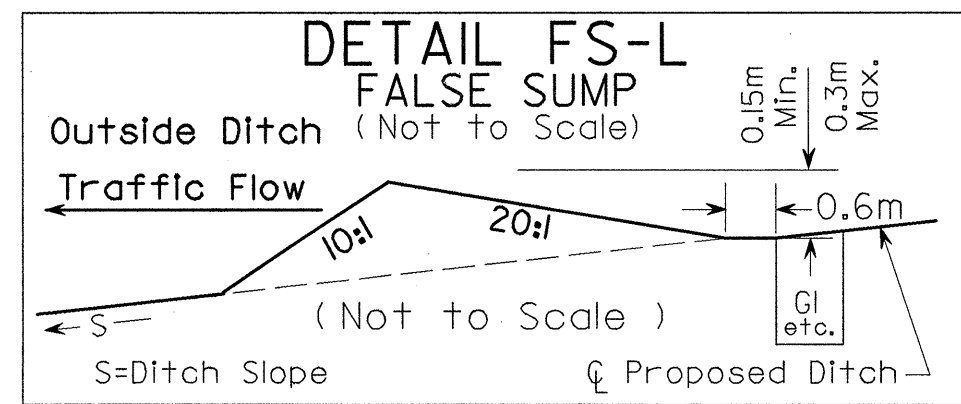
- L- REV RT 112+63, 24m TO 73m



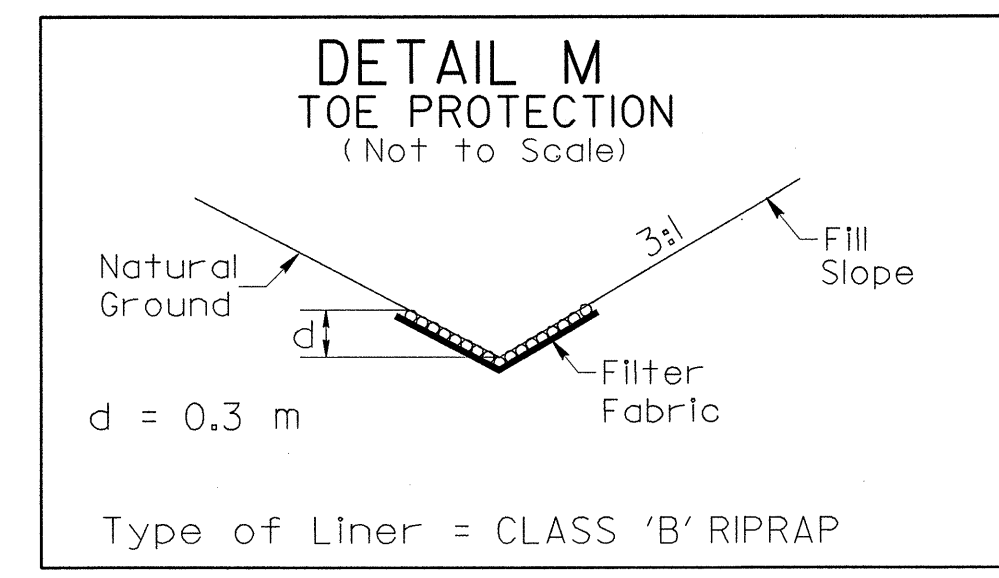
- Y2- LT 11+50 TO -L- REV RT 126+33 - DT. GR. SEE PROF. SHTS. 36 & 46
- L- REV RT 127+60 TO 130+85 - DT. GR. SEE PROF. SHTS. 36 & 37
- L- REV RT 124+80 TO -Y2- RT 10+60 - DT. GR. SEE PROF. SHTS. 36 & 46
- L- REV RT 155+20 TO 155+60 - DT. GR. SEE PROF. SHT. 40
- L- REV RT 164+00 TO 167+80 - DT. GR. SEE PROF. SHT. 42
- L- REV RT 176+90 TO 177+70 - DT. GR. SEE PROF. SHT. 44
- L- REV RT 179+40 TO 180+10 - DT. GR. SEE PROF. SHT. 44
- L- REV LT 184+20 TO 185+50 - DT. GR. SEE PROF. SHT. 45
- L- REV LT 188+70 TO 190+31 - DT. GR. SEE PROF. SHT. 45



- L- REV STA 155+04.78 LT



\* STATIONS AND OFFSETS REFERENCED FROM -L- REV (LT) STA 185+73, 21m RT TO STA 185+74, 65m RT



- L- REV LT 115+25 TO 115+75
- L- REV LT 146+40 TO 146+65
- L- REV LT 146+70 TO 146+85
- L- REV RT 115+40 TO 116+00