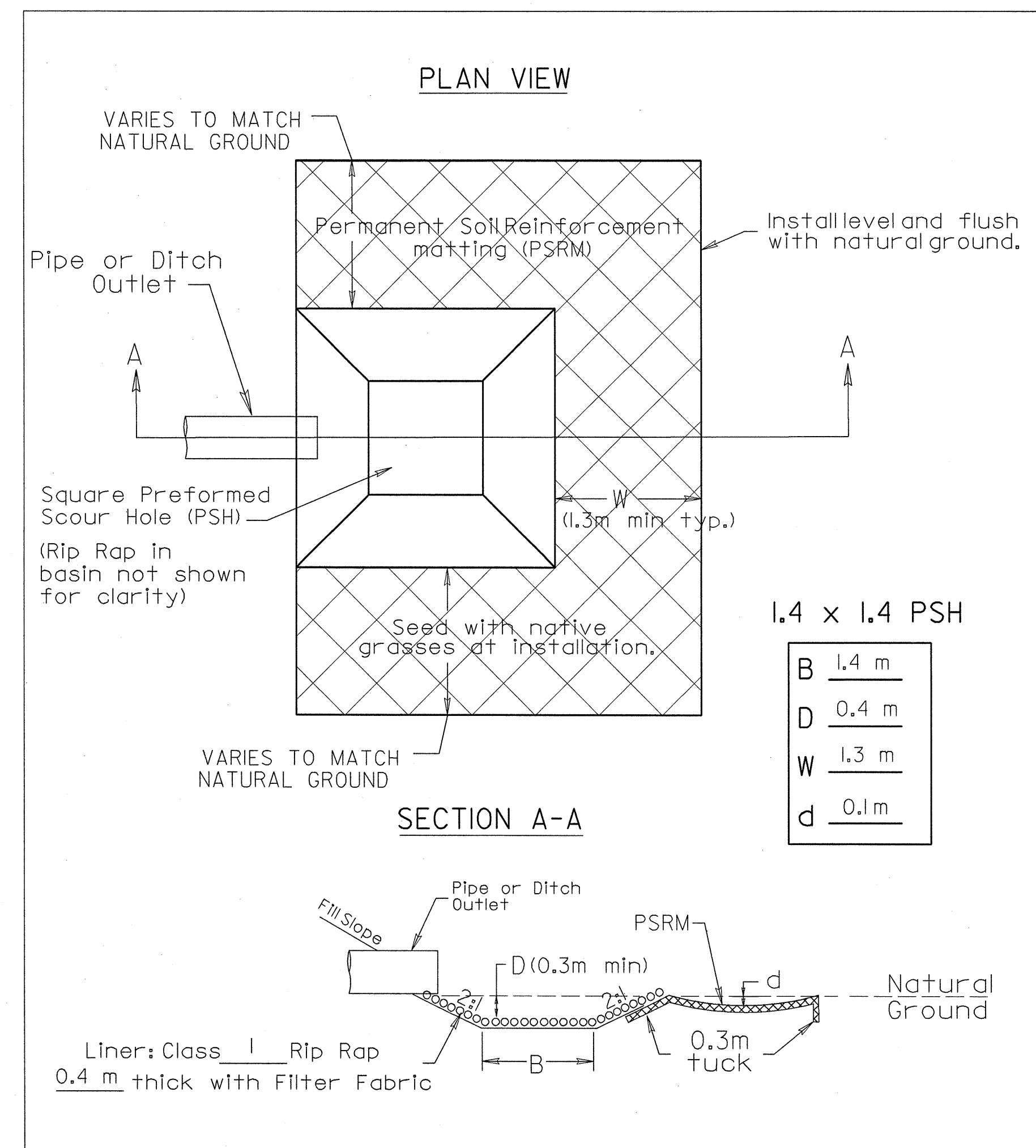
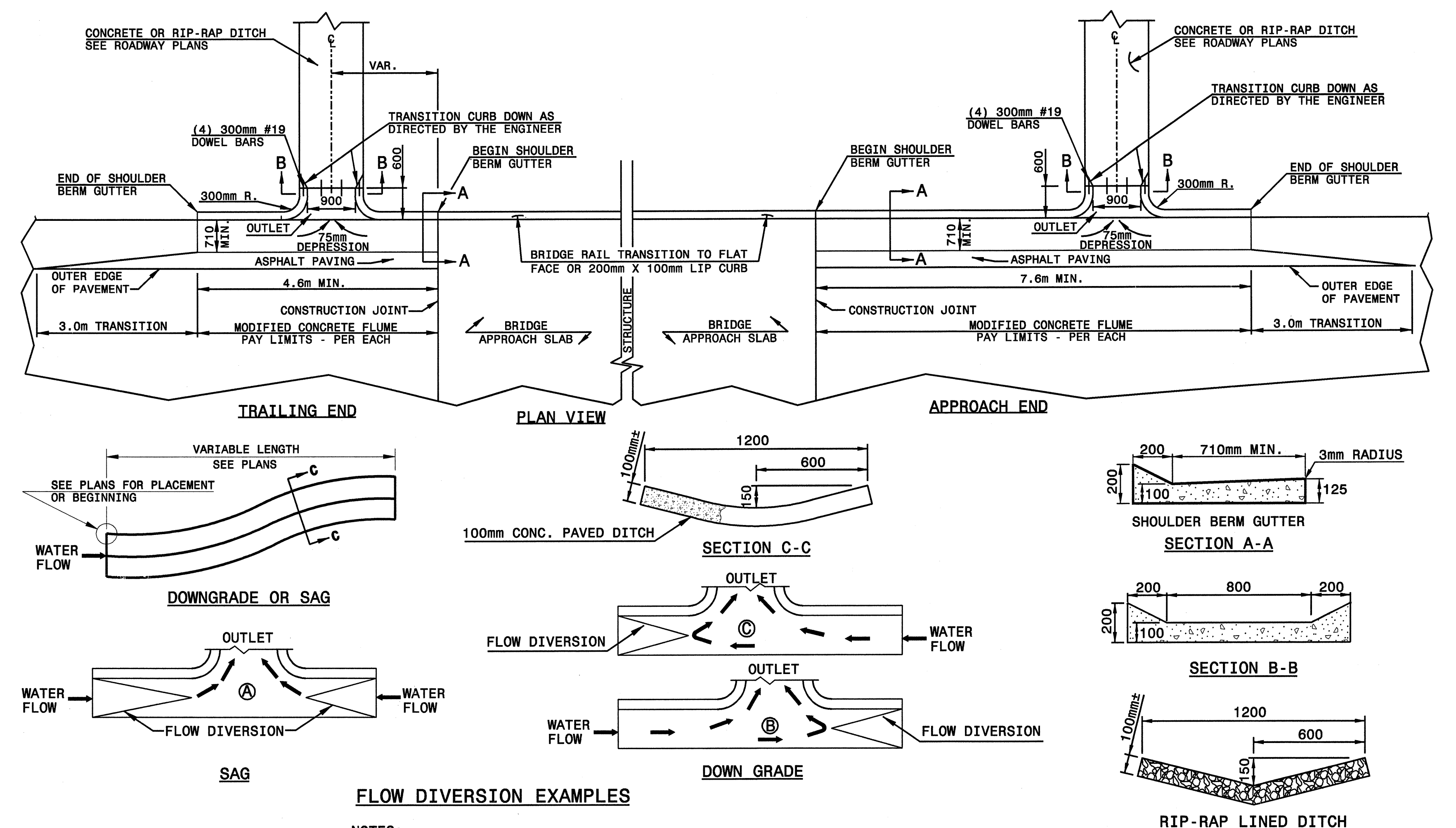


# PREFORMED SCOUR HOLE WITH LEVEL SPREADER APRON



-L- REV 109+64 LT  
-L- REV 154+61 RT  
-L- REV 155+06 RT



- NOTES:**
- CONSTRUCT MODIFIED CONCRETE FLUME AND SHOULDER BERM GUTTER IN ACCORDANCE WITH THIS DETAIL.
  - CONSTRUCT CONCRETE DITCH IN ACCORDANCE WITH STD. DWG. NO. 850.01.
  - CONSTRUCT RIP RAP LINED DITCH IN ACCORDANCE WITH THIS DETAIL, IF CALLED FOR IN PLANS.
  - CONCRETE OR RIP RAP LINED DITCH SHALL BE THE TYPE AND LENGTH SPECIFIED BY THE ROADWAY PLANS. THE DITCH SHALL TERMINATE AS SHOWN ON THE PLANS. IF NO TERMINATION IS INDICATED PLACE RIP-RAP AT THE END OF THE DITCH AS INDICATED BY STD. DWG. 876.02 FOR AN 450mm PIPE. TRANSITIONS FROM THE DITCH TO TERMINATION SHALL BE AS DIRECTED BY THE ENGINEER.
  - MODIFICATIONS SHALL BE AS DICTATED BY SITE CONDITIONS AND DIRECTED BY THE ENGINEER.

**Note:**  
This drawing is dimensioned in millimeters unless otherwise depicted within the drawing.

## METRIC DETAIL DRAWING FOR MODIFIED CONCRETE FLUME WITH CONCRETE OR RIP-RAP DITCH

-L- REV 178+31.4  
-L- REV 179+27.5