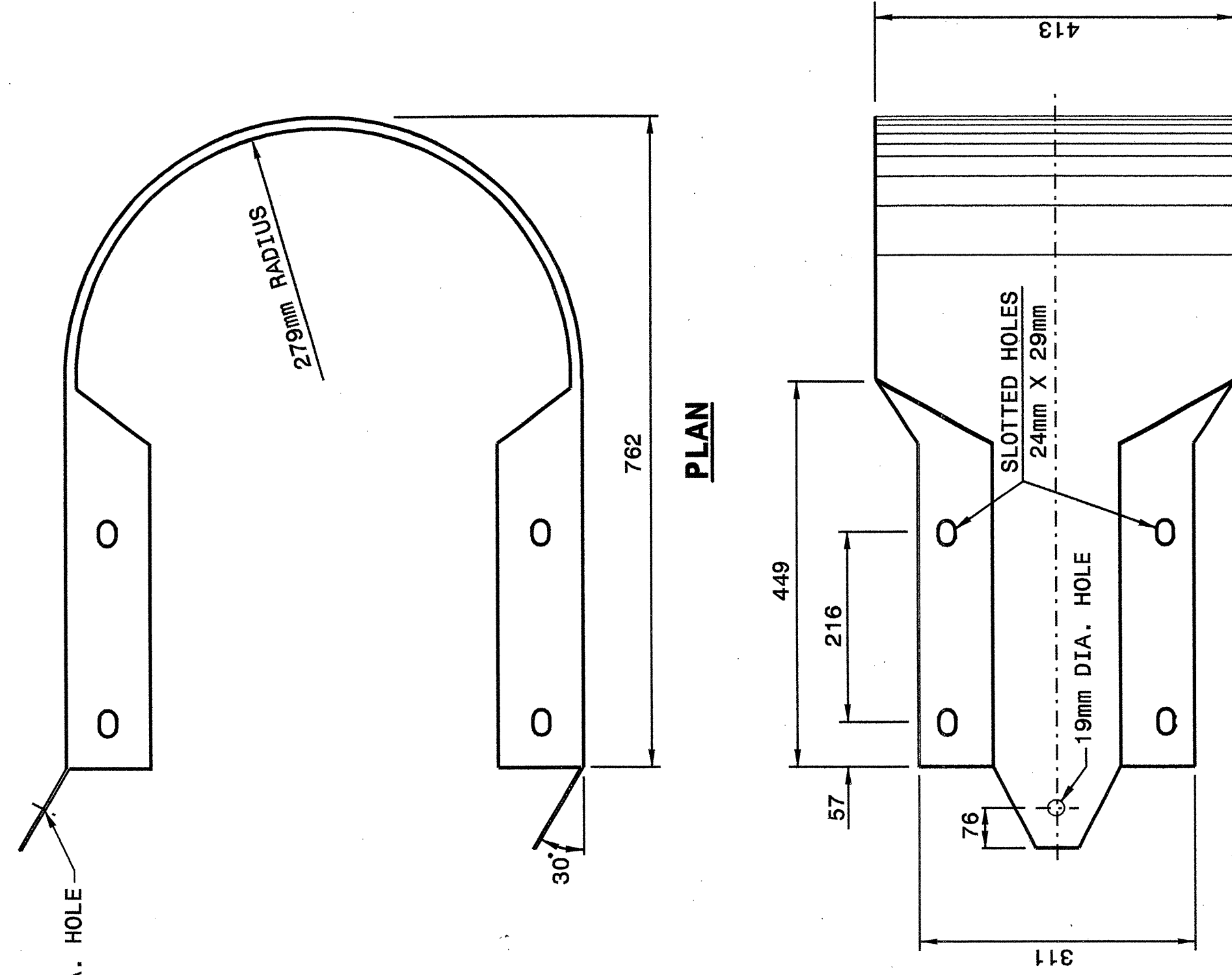




STATE OF
NORTH CAROLINA
DIVISION OF HIGHWAYS
RALEIGH, N.C.

METRIC DETAIL DRAWING FOR
GUARDRAIL INSTALLATION

SHEET 7 OF 7
862D02



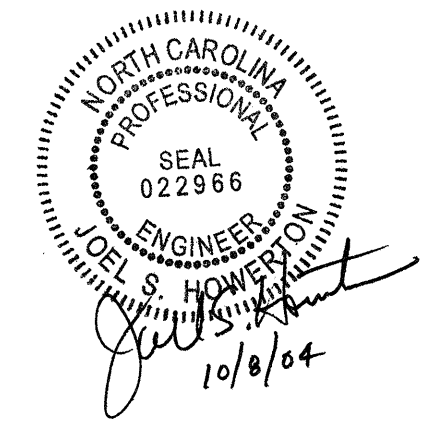
ELEVATION
BUFFERED END SECTION

Note:
This drawing is dimensioned in
millimeters unless otherwise
depicted within the drawing.

STATE OF
NORTH CAROLINA
DIVISION OF HIGHWAYS
RALEIGH, N.C.

METRIC DETAIL DRAWING FOR
GUARDRAIL INSTALLATION

SHEET 7 OF 7
862D02



DESIGN SERVICES UNIT
STANDARDS AND SPECIAL DESIGN
Office 919-250-4128 FAX 919-250-4119

SEE PLATE FOR TITLE

ORIGINAL BY: 2002 STD. 862.02 DATE:
MODIFIED BY: E.E. WARD DATE: 02-09-03
CHECKED BY: *BE. H. Lockard* DATE: 5-02
FILE SPEC.: /usr/stds/02tode/wall/metric/86202/862d02m.dgn