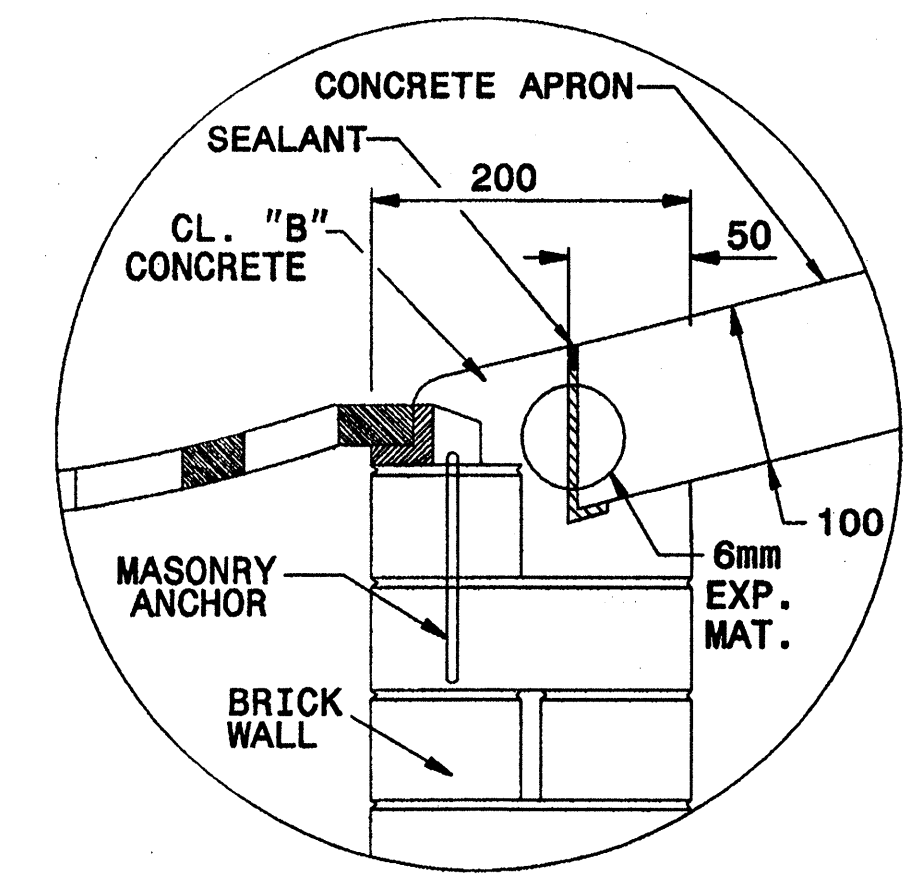


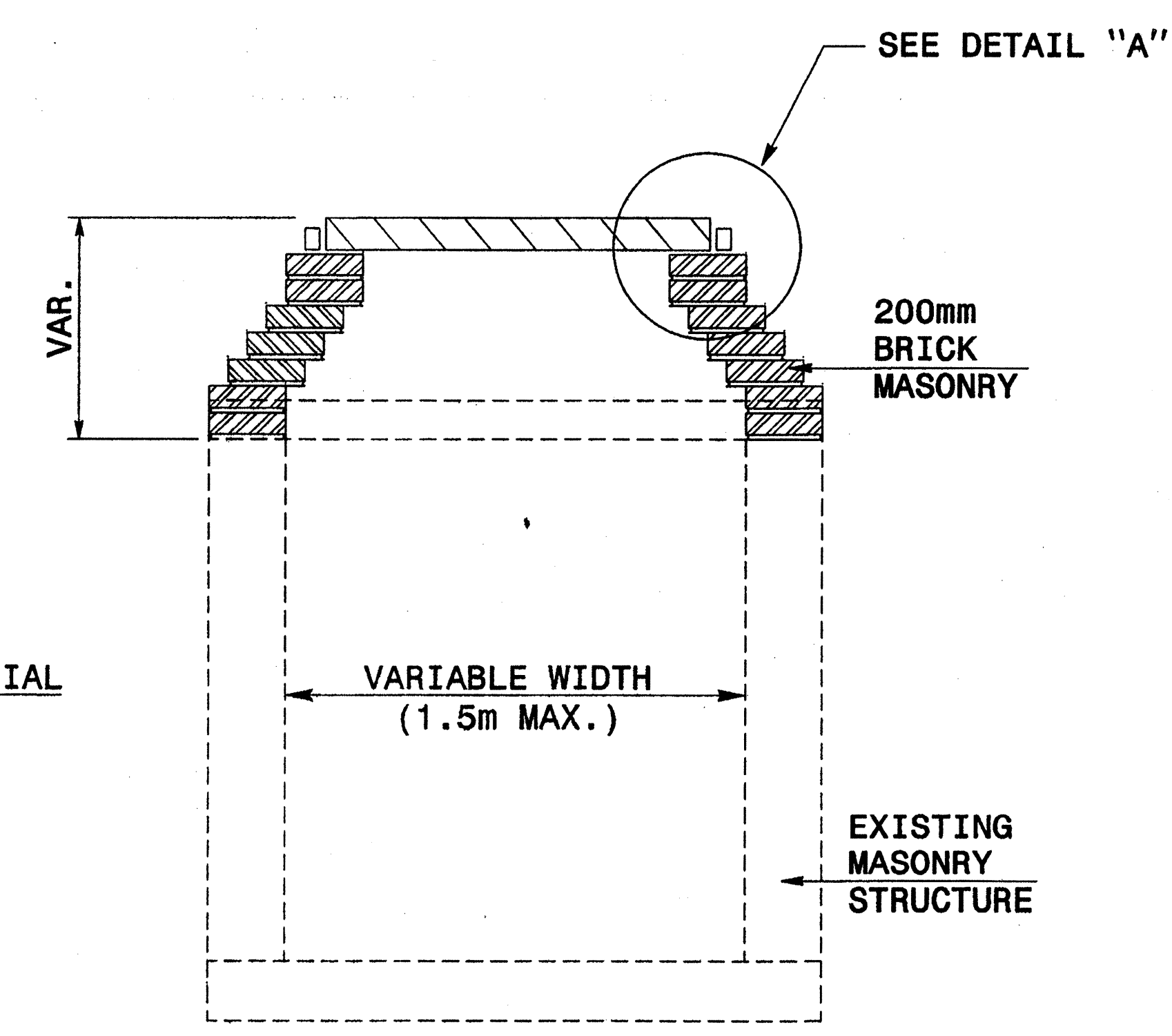
DETAIL "A"
FOR DROP INLETS



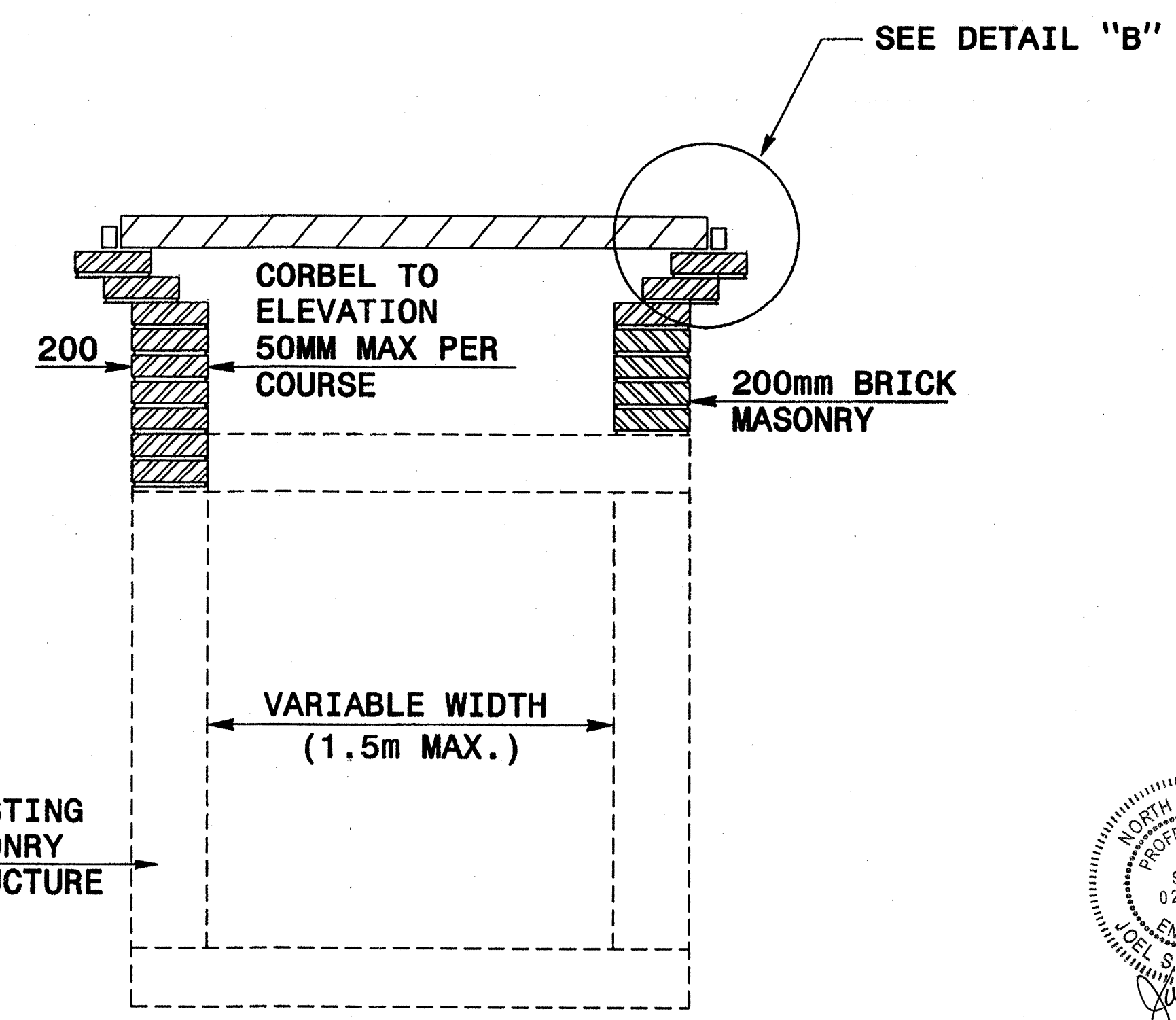
DETAIL "B"
FOR MEDIAN DROP INLETS

GENERAL NOTES:

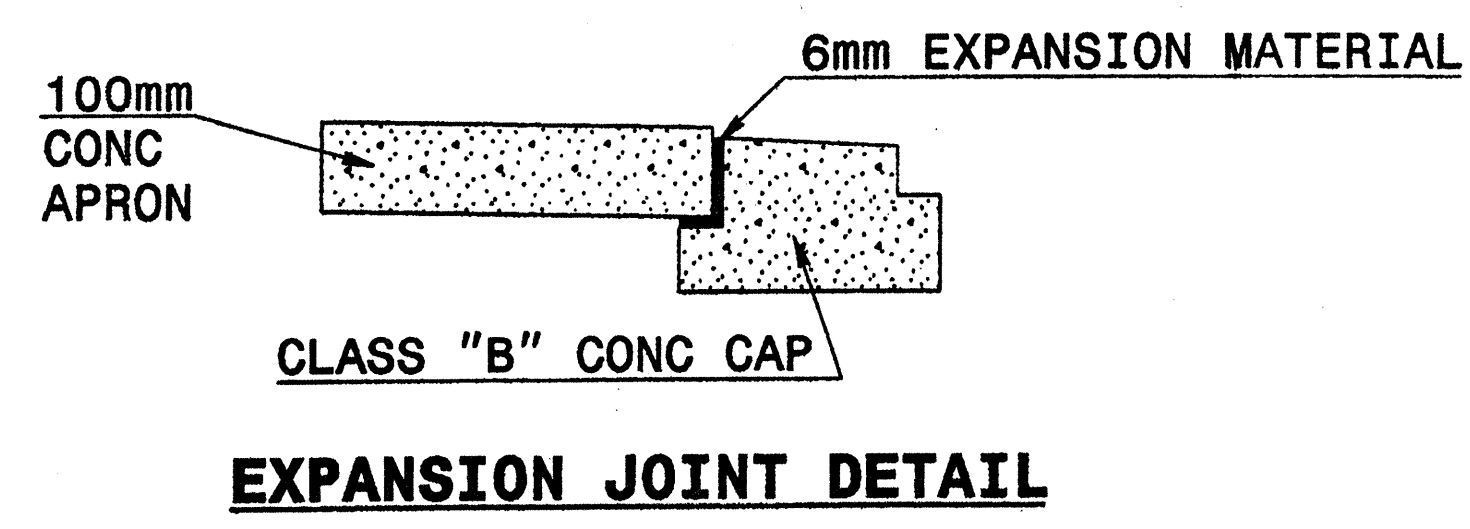
- CONSTRUCT IN ACCORDANCE WITH SECTION 859 OF THE STANDARD SPECIFICATIONS.
- USE CLASS B CONCRETE.
- THE DIMENSIONS FOR THE EXISTING BOXES ARE APPROXIMATE AND MAY VARY SLIGHTLY.
- JUMBO BRICK WILL BE PERMITTED. CONCRETE BRICK OR 100mm SOLID CONCRETE BLOCK MAY BE USED IN LIEU OF CLAY BRICK.
- INCLUDE 450mm CONCRETE APRON IN UNIT PRICE BID PER EACH, CONVERT EXISTING CATCH BASIN TO DROP INLET.
- SPECIAL DESIGN IS REQUIRED FOR USE UNDER PAVEMENT.
- CONFIRM DIMENSIONS ON EACH INDIVIDUAL FRAME & GRATE PROPOSAL.
- SEE STD. DRAWING 840.25 FOR MASONRY ANCHORAGE.



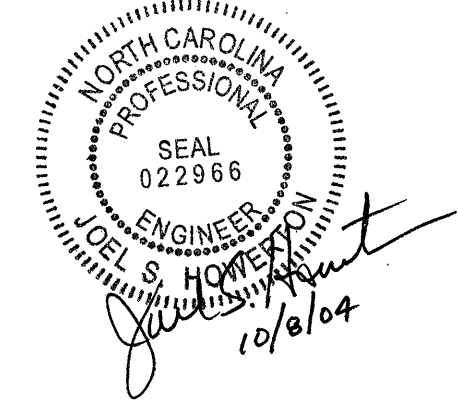
ELEVATION VIEW



ELEVATION VIEW



EXPANSION JOINT DETAIL



**DESIGN SERVICES UNIT
STANDARDS AND SPECIAL DESIGN**
Office 919-250-4128 FAX 919-250-4119

**DETAIL TO CONVERT
EXISTING CATCH BASIN OR
JUNCTION BOX TO DROP INLET**

ORIGINAL BY: T.Spell DATE: 1-98
 MODIFIED BY: T.Spell DATE: FEB. 2000
 CHECKED BY: J. S. Howell DATE: 2-00
 FILE SPEC.: D:\24\user\details\metric\stand\cbtod101.dgn