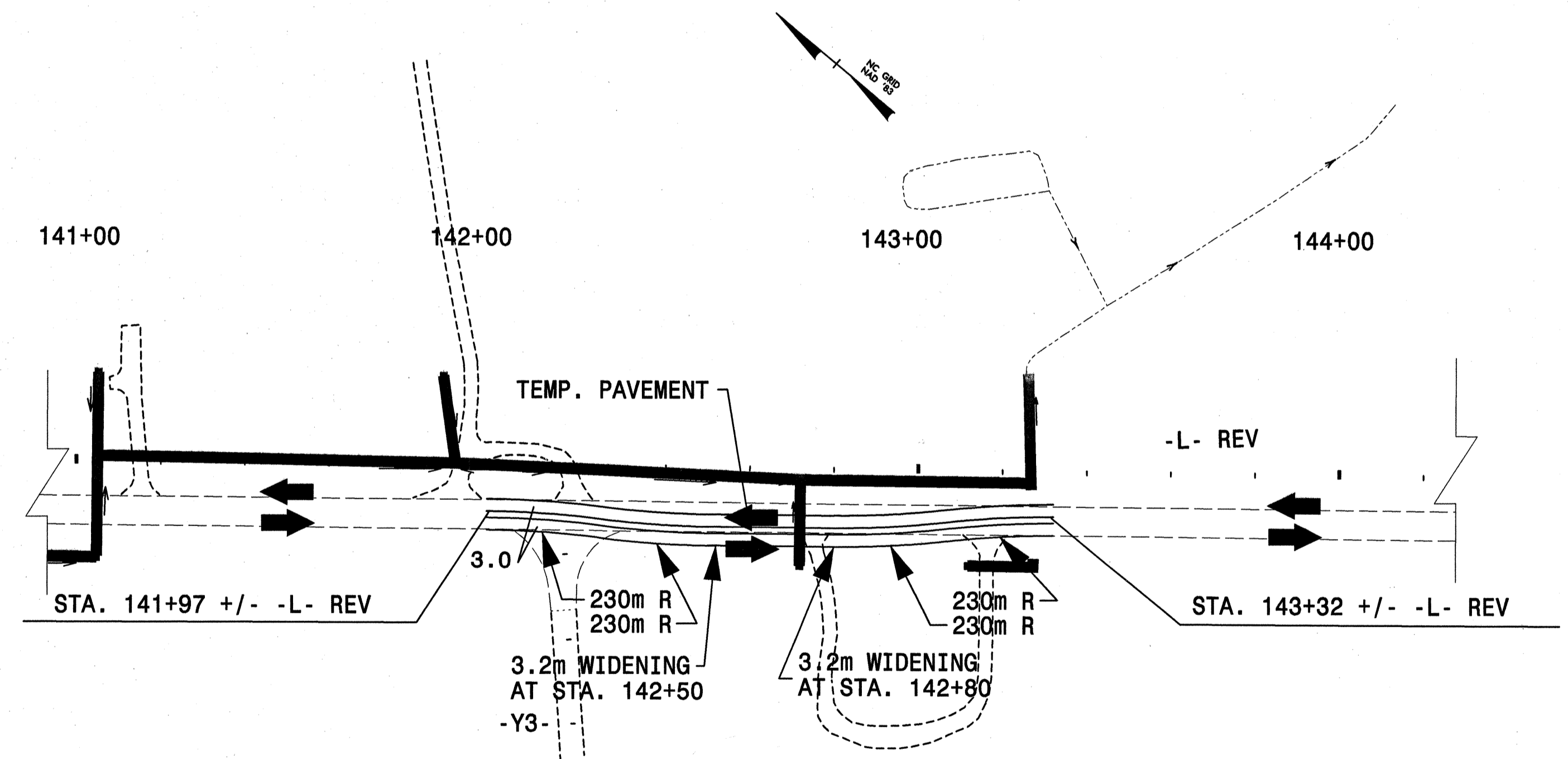
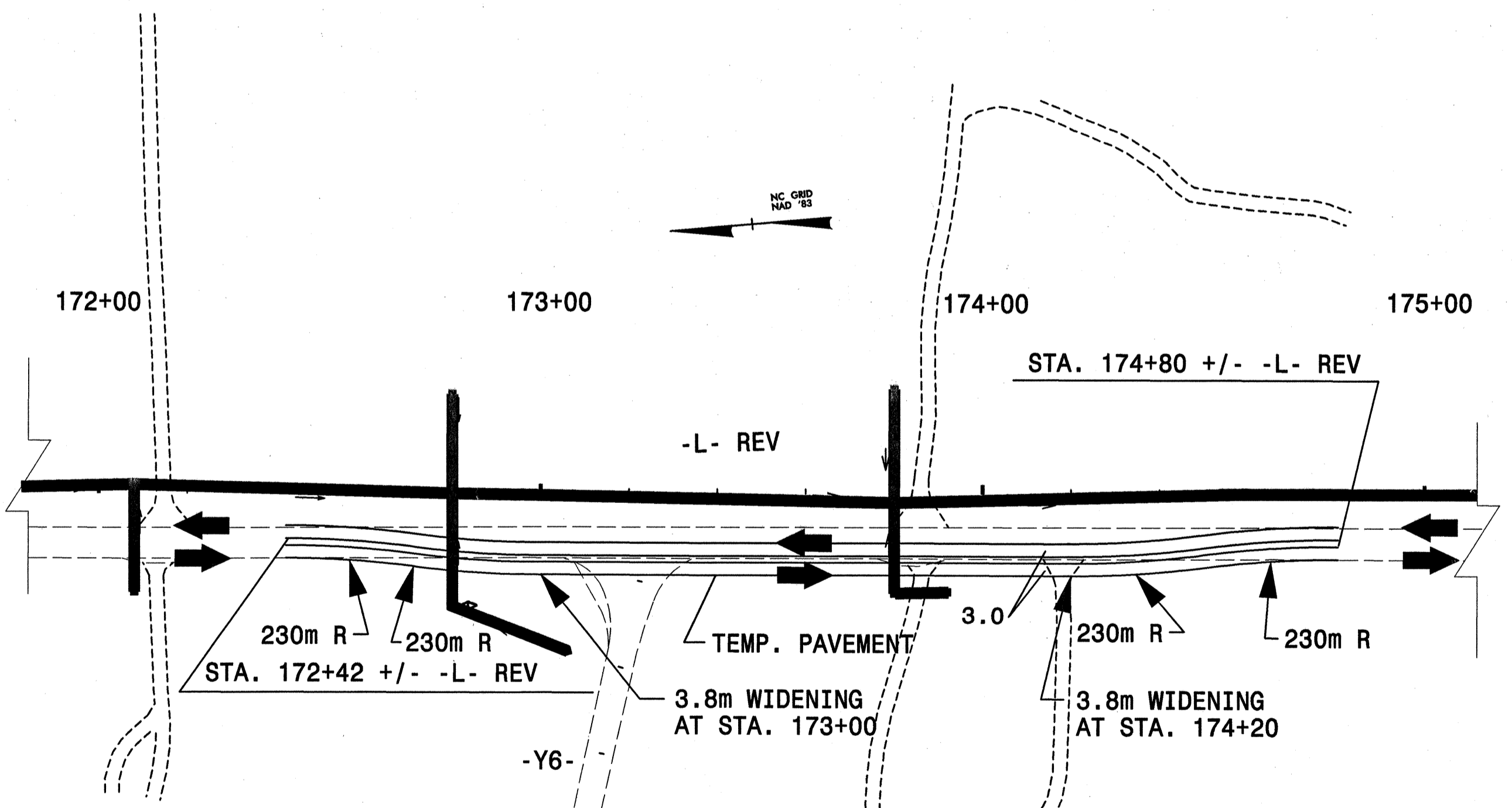


TEMPORARY PAVEMENT DETAIL 1
FROM STA. 97+48 -L-REV TO STA. 98+80 -L-REV



TEMPORARY PAVEMENT DETAIL 2
FROM STA. 141+97 -L-REV TO STA. 143+32 -L-REV

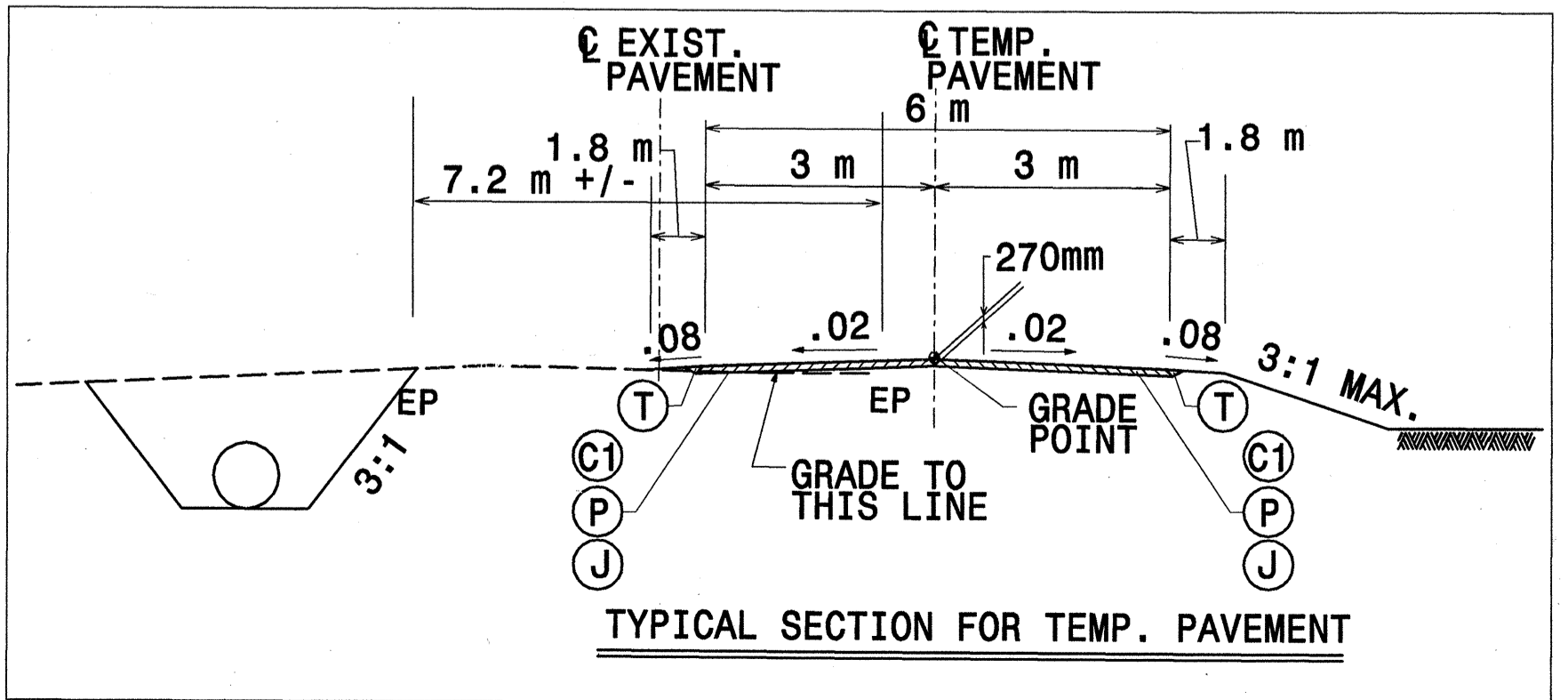


TEMPORARY PAVEMENT DETAIL 3
FROM STA. 172+42 -L-REV TO STA. 174+80 -L-REV

PAVEMENT SCHEDULE

CODE	DESCRIPTION
(C)	PROP. APPROX. 70mm ASPHALT CONC. SURFACE COURSE, TYPE S9.5C, AT AN AVERAGE RATE OF 84 kg PER SQ. METER IN EACH OF TWO LAYERS.
(J)	PROP. 200mm AGGREGATE BASE COURSE.
(P)	PRIME COAT AT THE RATE OF 1.6 L PER SQ. METER.
(T)	EARTH MATERIAL.

USE 1:1 PAVEMENT EDGE SLOPES UNLESS OTHERWISE NOTED.



TYPICAL SECTION FOR TEMP. PAVEMENT