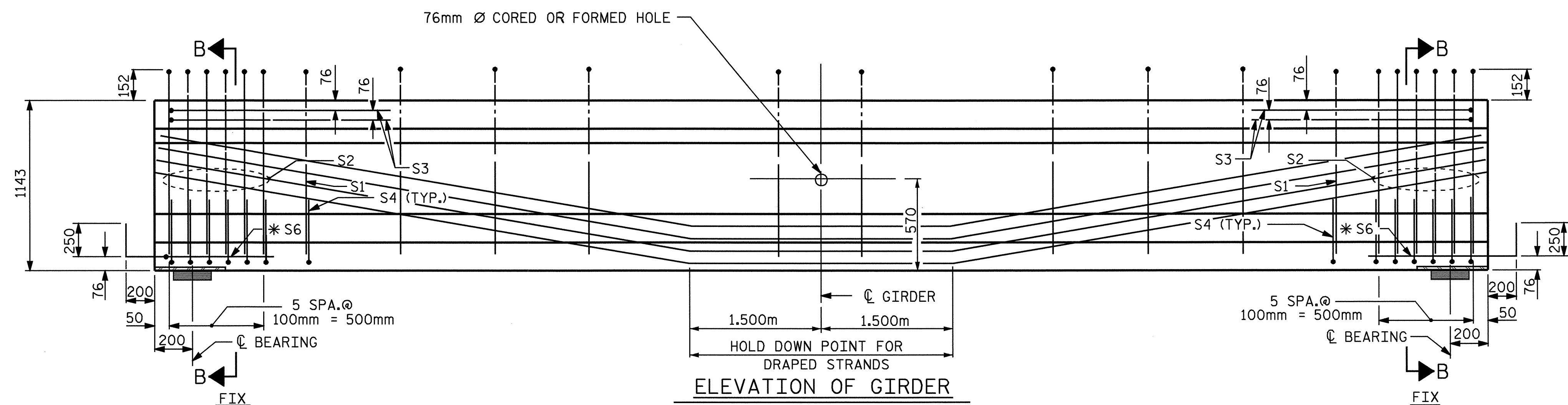
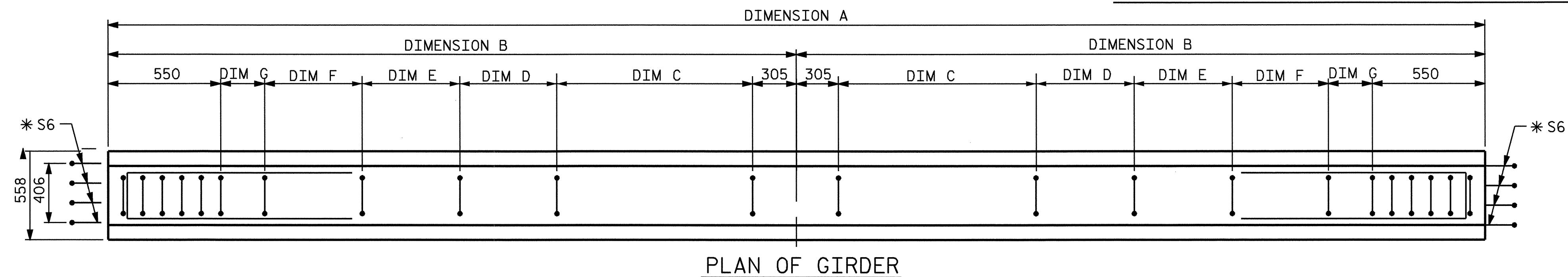
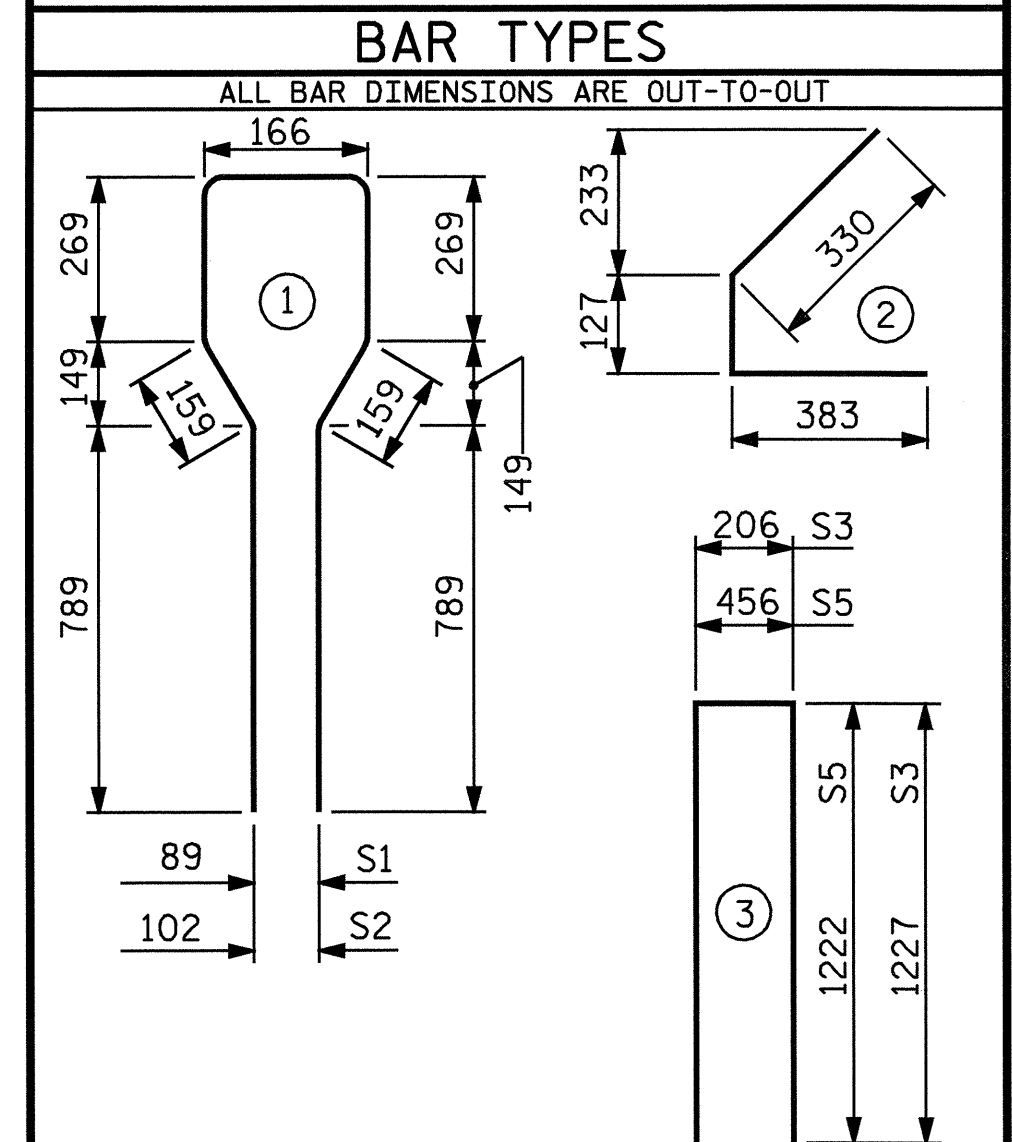


12.70mm Ø L. R. GRADE 270 STRANDS		
AREA (mm ²)	ULTIMATE STRENGTH (KN PER STRAND)	APPLIED PRESTRESS (KN PER STRAND)
98.71	183.7	137.8

REINFORCING STEEL FOR ONE GDR.						
BAR	NUMBER	SIZE	TYPE	LENGTH	WEIGHT	
GDR. B1	S1	60	#13	1	2600	155
GDR. B2	S1	60	#13	1	2600	155
GDR. B3	S1	62	#13	1	2600	160
GDR. B4	S1	62	#13	1	2600	160
GDR. B5	S1	62	#13	1	2600	160
	S2	12	#19	1	2600	70
	S3	4	#13	3	2660	11
	S4	56	#13	2	840	47
	*S6	8	#16	STR	1120	14

* NOTE: S6 BARS SHALL BE BENT BEFORE SHIPMENT. HEAT BENDING SHALL NOT BE ALLOWED.

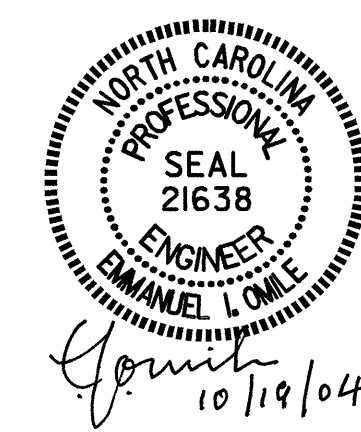


QUANTITIES FOR ONE GIRDER			
	REINFORCING STEEL	41.4 MPa CONCRETE	12.70mm Ø L.R. STRANDS
	kg	m ³	No.
GIRDER B1	297	7.388	30
GIRDER B2	297	7.423	30
GIRDER B3	302	7.458	30
GIRDER B4	302	7.493	30
GIRDER B5	302	7.528	30

GIRDERS REQUIRED		
NUMBER	LENGTH	TOTAL LENGTH
5	VARIES	103.296

GIRDER DIMENSIONS							
SPAN B							
	DIMENSION A	DIMENSION B	DIMENSION C	DIMENSION D	DIMENSION E	DIMENSION F	DIMENSION G
GIRDER B1	20.464 m	10.232 m	12 SPA @ 450	7 SPA @ 300	8 SPA @ 200	77	2 SPA @ 100
GIRDER B2	20.562 m	10.281 m	12 SPA @ 450	7 SPA @ 300	8 SPA @ 200	126	2 SPA @ 100
GIRDER B3	20.660 m	10.330 m	12 SPA @ 450	7 SPA @ 300	8 SPA @ 200	75	3 SPA @ 100
GIRDER B4	20.756 m	10.378 m	12 SPA @ 450	7 SPA @ 300	8 SPA @ 200	123	3 SPA @ 100
GIRDER B5	20.854 m	10.427 m	12 SPA @ 450	7 SPA @ 300	8 SPA @ 200	172	3 SPA @ 100

ASSEMBLED BY : J. G. KHARVA DATE : 06-08-04
 CHECKED BY : E. L. OMILE DATE : 08-25-04
 DRAWN BY : ELR 8/91 REV. 5/16/97 EEM/RGW
 CHECKED BY : GRP 8/91 REV. 7/17/98 RWW/LES
 REV. 10/17/00 RWW/LES



PROJECT NO. R-2562C
 BLADEN COUNTY
 STATION: 178+79.500 -L- REV

SHEET 2 OF 4

STATE OF NORTH CAROLINA
 DEPARTMENT OF TRANSPORTATION
 RALEIGH
 STANDARD
 AASHTO TYPE III
 PRESTRESSED CONCRETE
 GIRDER CONTINUOUS
 FOR LIVE LOAD
 (SPAN B) (LEFT LANE)

REVISIONS						SHEET NO.
NO.	BY:	DATE:	NO.	BY:	DATE:	S-II
1			3			TOTAL SHEETS 68
2			4			