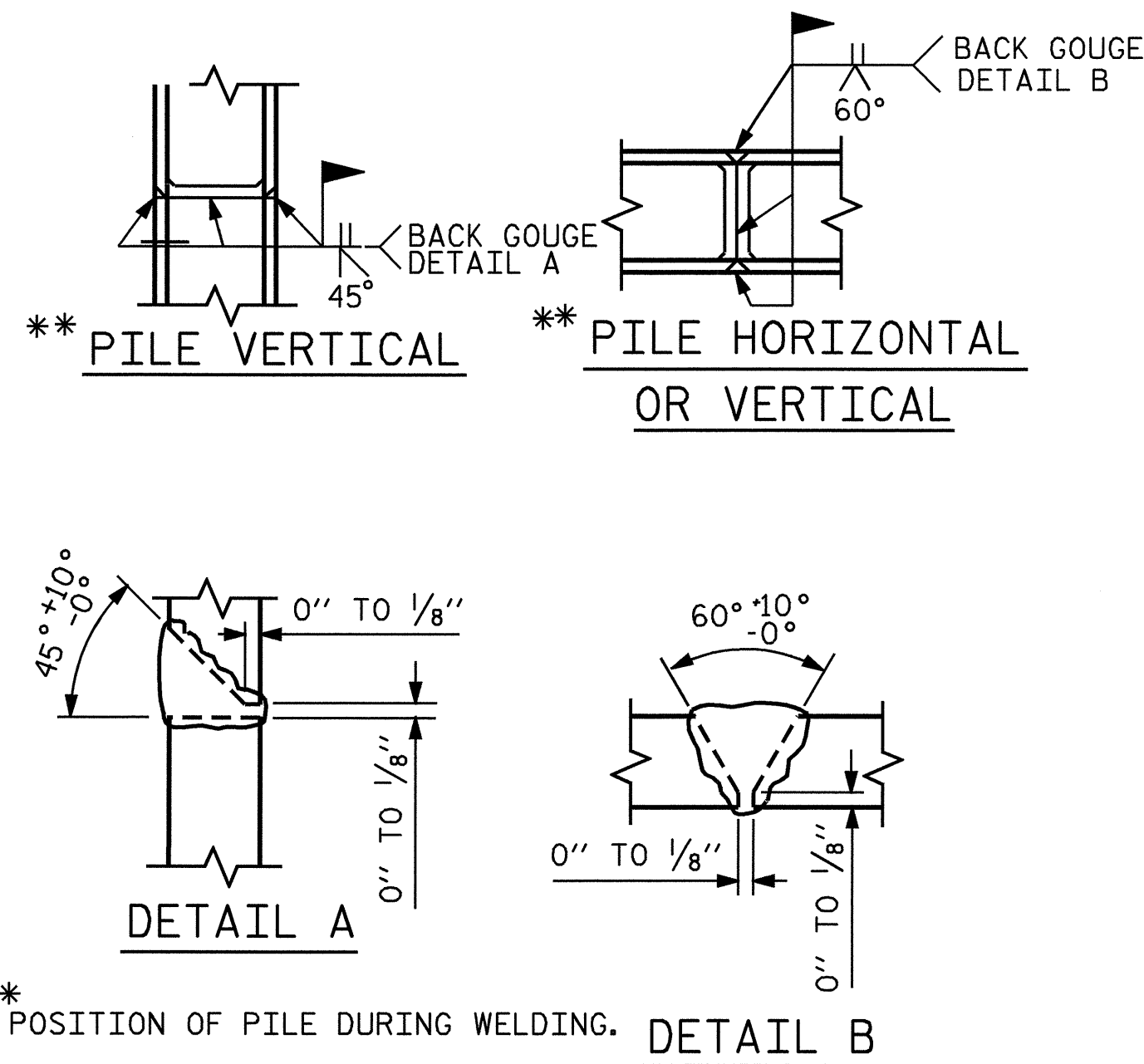
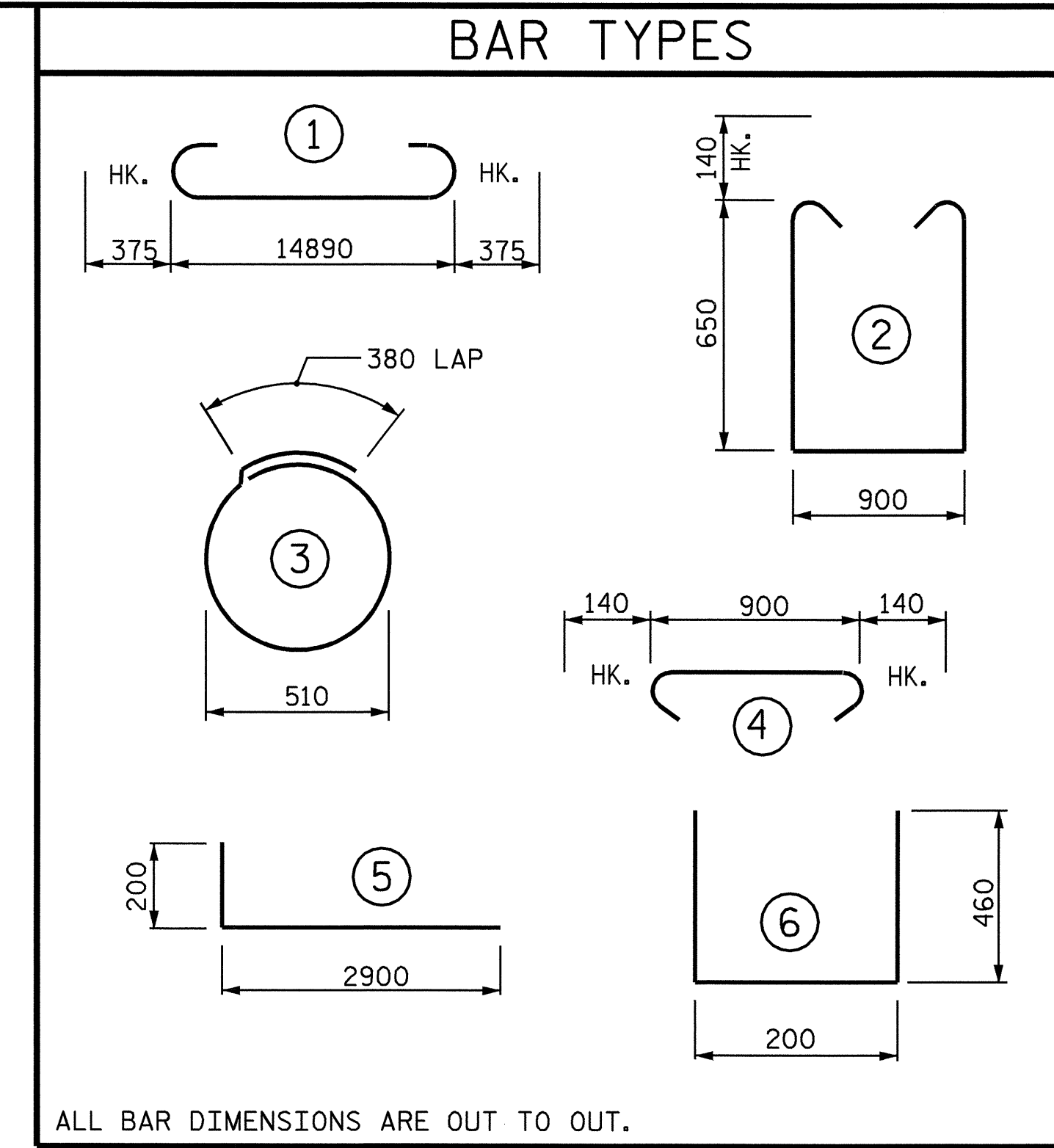


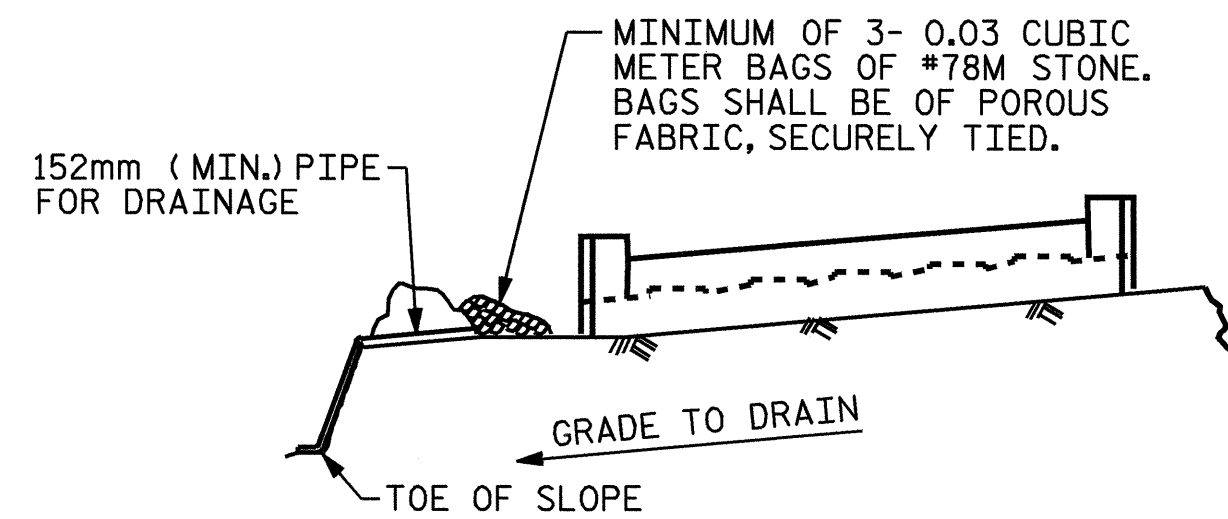
SECTION A-A



PILE SPLICE DETAILS



BILL OF MATERIAL					
END BENT #1					
BAR	NO.	SIZE	TYPE	LENGTH	WEIGHT
B1	10	29	1	15640	791
B2	2	16	STR	14900	46
B3	8	13	STR	7820	62
B4	12	13	STR	900	11
H1	40	16	5	3100	192
K1	20	13	STR	7820	155
K2	8	13	STR	880	7
S1	50	13	2	2480	123
S2	50	13	4	1180	59
S3	18	13	3	1980	35
U1	44	13	6	1120	49
V1	88	16	STR	1860	257
V2	28	16	STR	2380	103
V3	28	16	STR	2200	96
REINFORCING STEEL				kgs	1988
CLASS 'A' CONCRETE					
POUR #1 CAP				C.M.	13.5
POUR #2 BACKWALL & UPPER PART OF WINGS				C.M.	8.4
TOTAL				C.M.	21.9
HP 310 X 79 STEEL PILES					
NO. 9				LIN. M.	175.5



BAGGED STONE AND PIPE SHALL BE PLACED IMMEDIATELY AFTER COMPLETION OF END BENT EXCAVATION. PIPE MAY BE EITHER CONCRETE, CORRUGATED STEEL, CORRUGATED ALUMINUM ALLOY, OR CORRUGATED PLASTIC. PERFORATED PIPE WILL NOT BE ALLOWED.

BAGGED STONE SHALL REMAIN IN PLACE UNTIL THE ENGINEER DIRECTS THAT IT BE REMOVED. THE CONTRACTOR SHALL REMOVE AND DISPOSE OF SILT ACCUMULATIONS AT BAGGED STONE WHEN SO DIRECTED BY THE ENGINEER. BAGS SHALL BE REMOVED AND REPLACED WHENEVER THE ENGINEER DETERMINES THAT THEY HAVE DETERIORATED AND LOST THEIR EFFECTIVENESS.

NO SEPARATE PAYMENT WILL BE MADE FOR THIS WORK AND THE ENTIRE COST OF THIS WORK SHALL BE INCLUDED IN THE UNIT CONTRACT PRICE BID FOR THE SEVERAL PAY ITEMS.

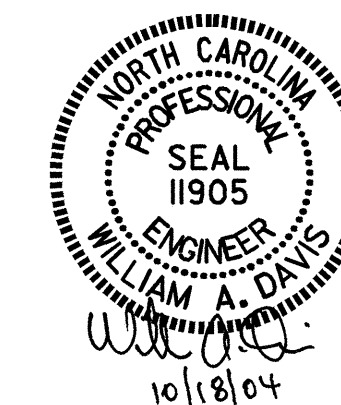
TEMPORARY DRAINAGE AT END BENT

PROJECT NO. R-2562C  
BLADEN COUNTY  
STATION: 178+79.500 -L- REV

SHEET 3 OF 3

STATE OF NORTH CAROLINA  
DEPARTMENT OF TRANSPORTATION  
RALEIGH

SUBSTRUCTURE  
END BENT #1  
(LEFT LANE)



DRAWN BY : J.G. KHARVA DATE : 7-02-04  
CHECKED BY : J.D. HAWK DATE : 8-24-04

REVISIONS						SHEET NO.
NO.	BY:	DATE:	NO.	BY:	DATE:	S-20
1			3			TOTAL SHEETS
2			4			68