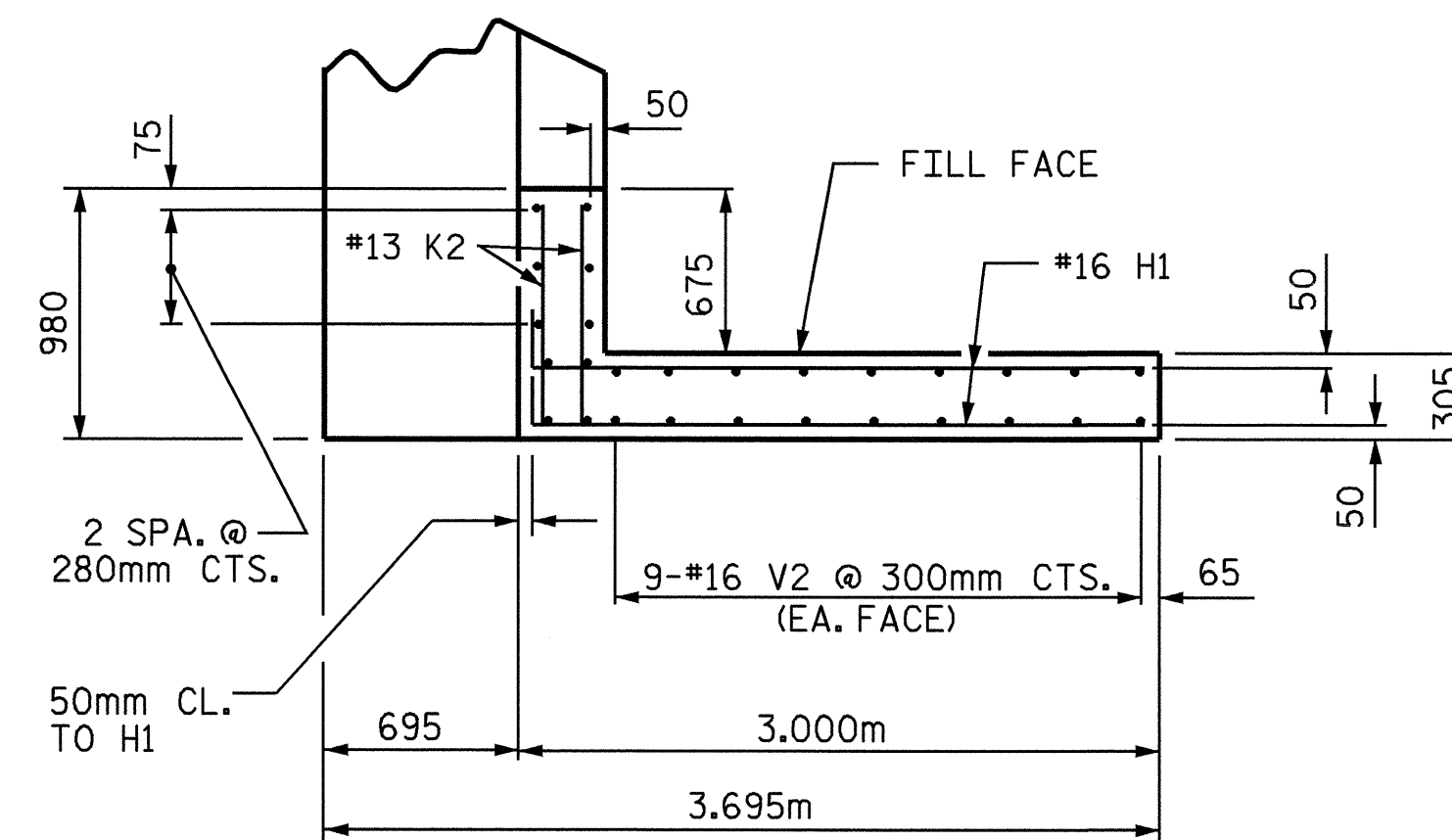
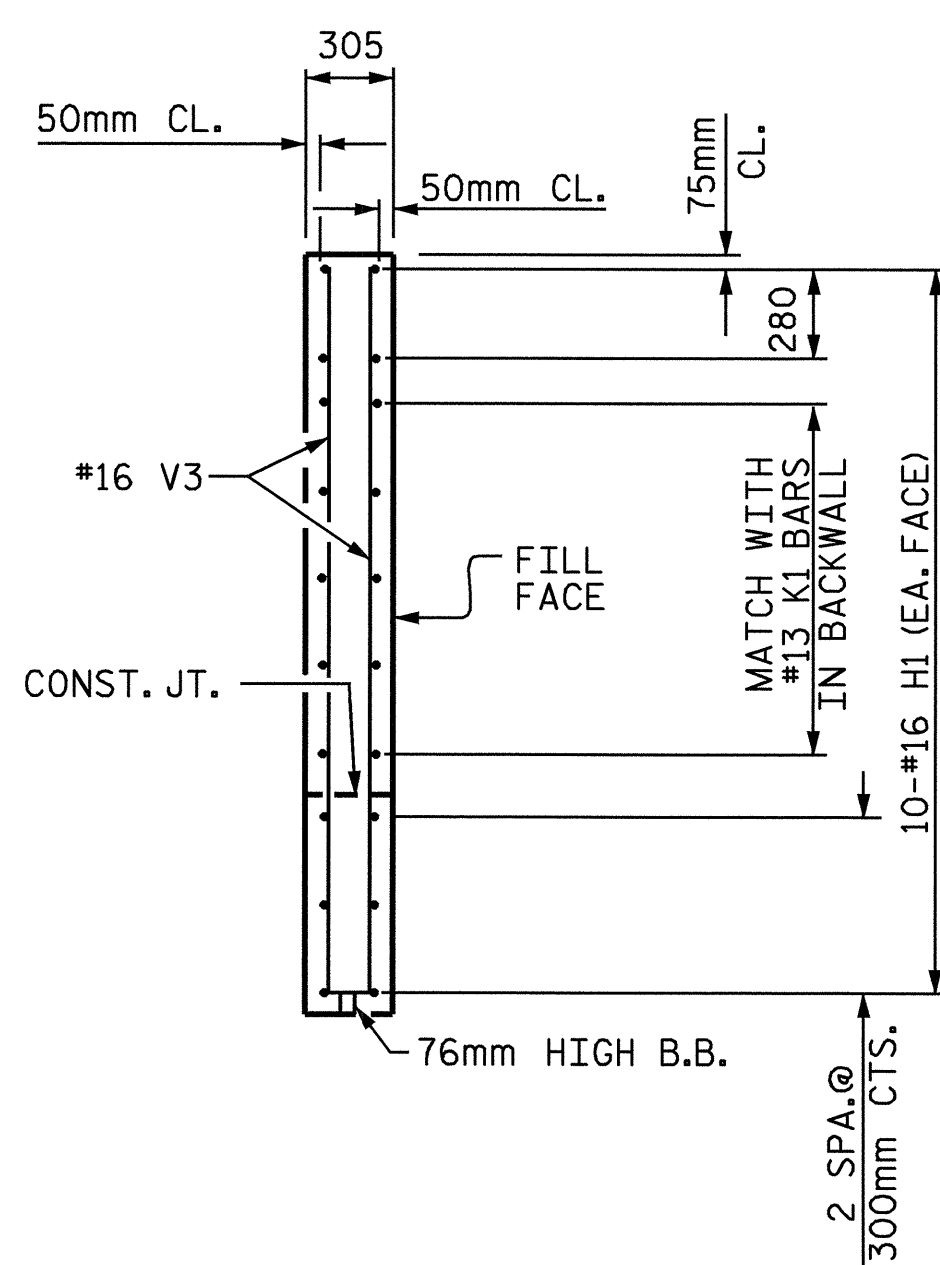


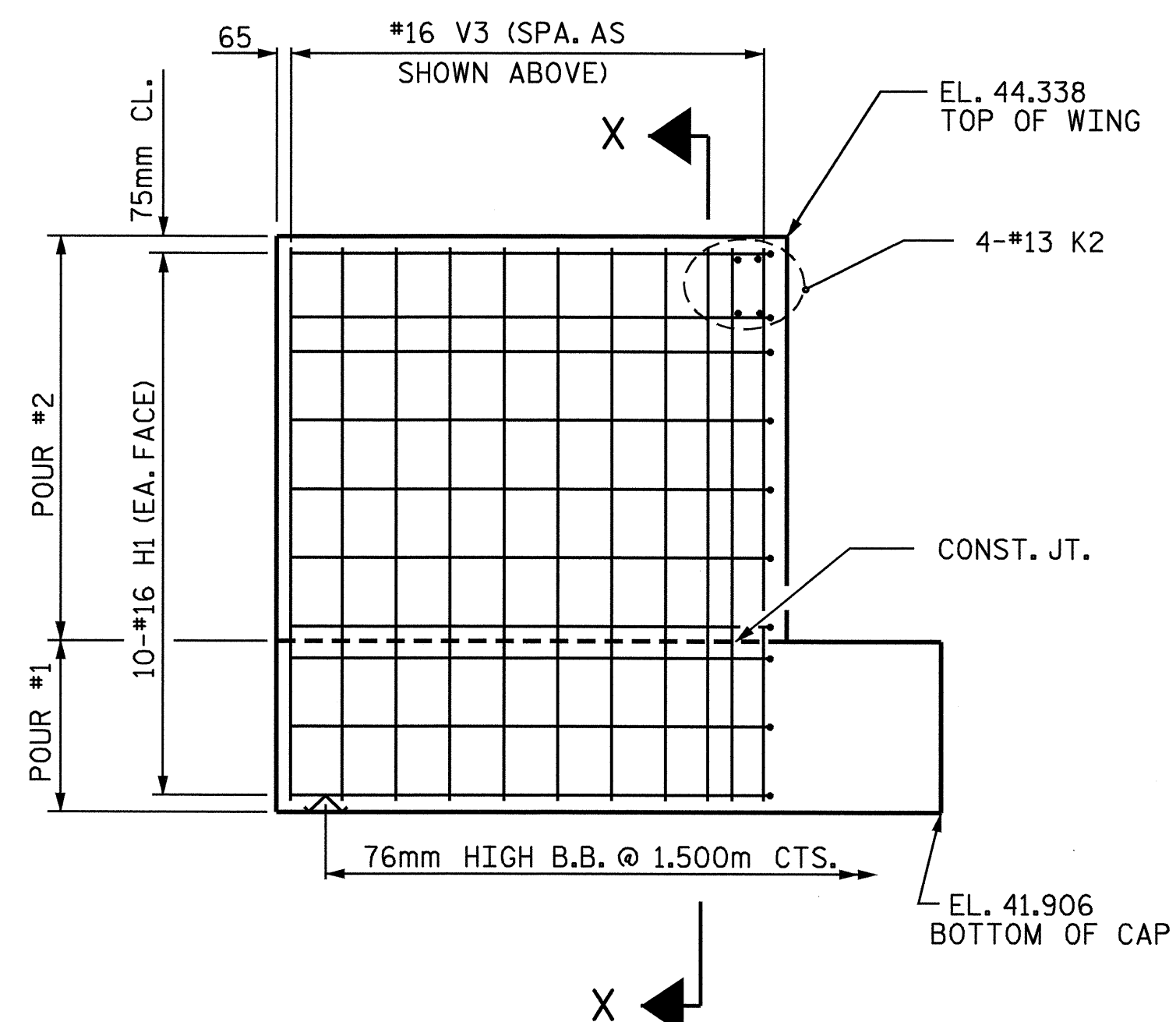
PLAN OF WING W2



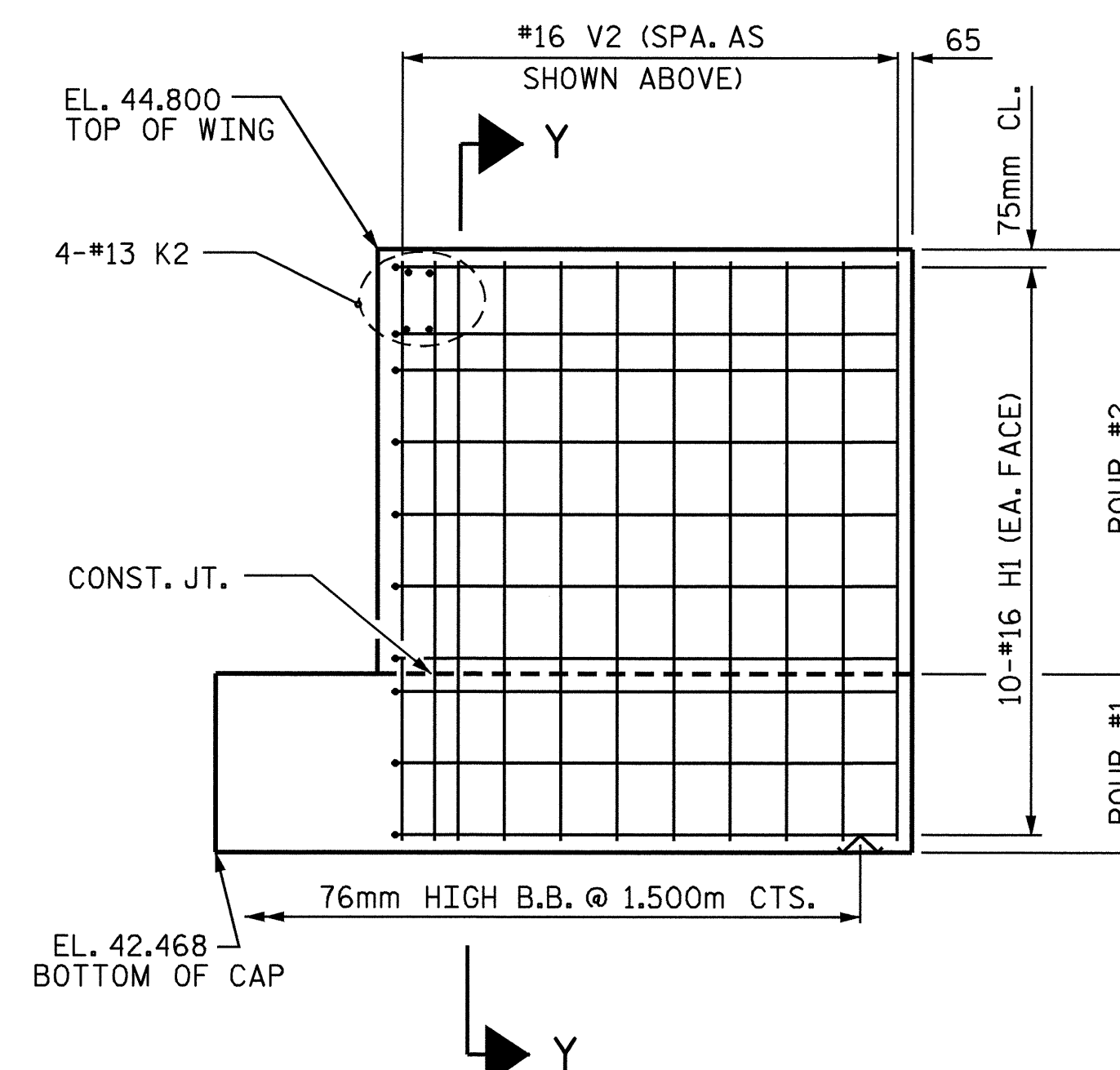
PLAN OF WING W1



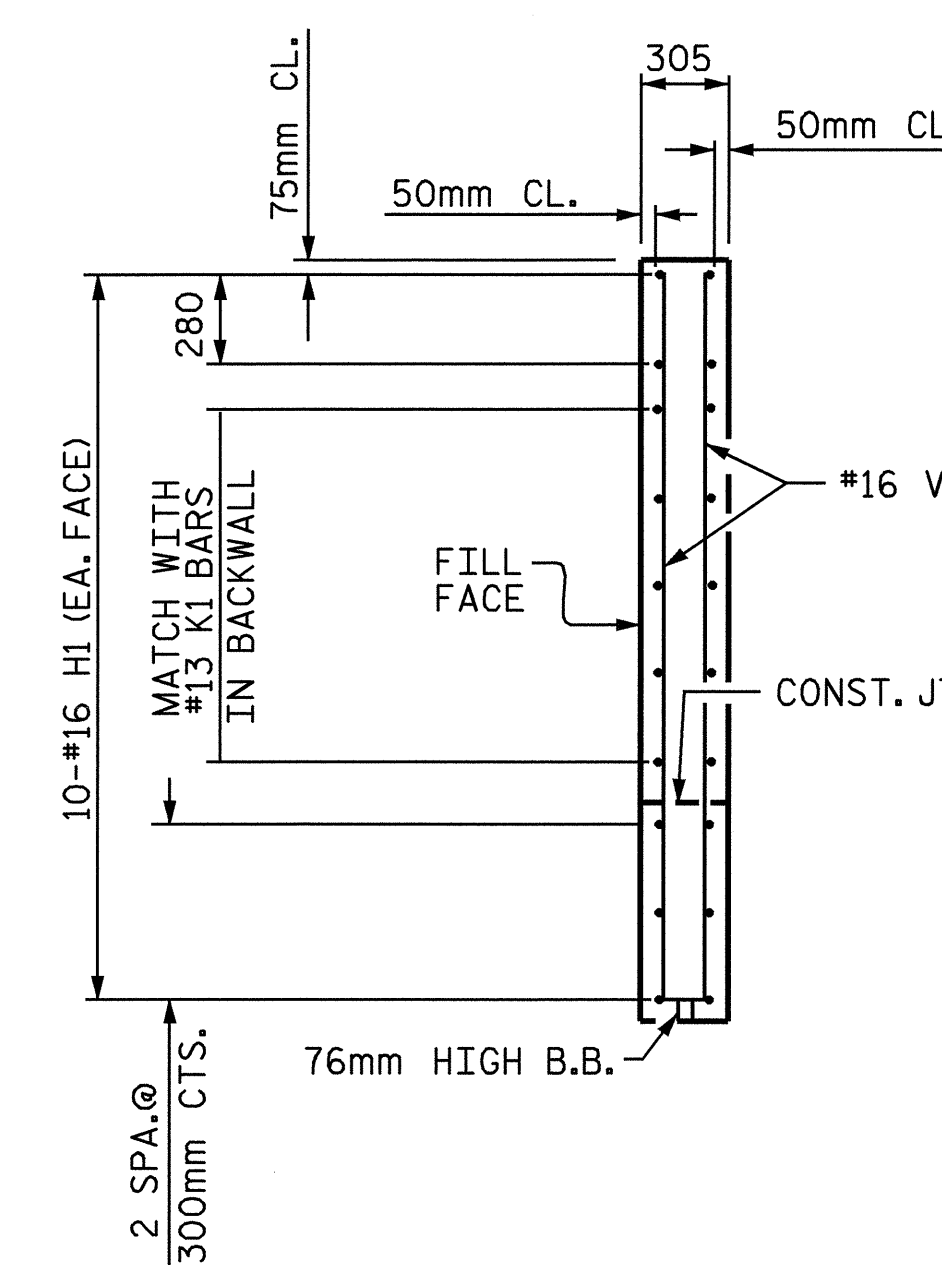
SECTION X-X



ELEVATION OF WING W1



ELEVATION OF WING W2



SECTION Y-Y

PROJECT NO. R-2562C
BLADEN COUNTY
 STATION: 178+79.500 -L- REV

SHEET 2 OF 3

STATE OF NORTH CAROLINA
 DEPARTMENT OF TRANSPORTATION
 RALEIGH

SUBSTRUCTURE
 END BENT #2
 (LEFT LANE)



DRAWN BY : J.G. KHARVA DATE : 07-02-04
 CHECKED BY : J.D. HAWK DATE : 08-24-04

18-OCT-2004 12:38
 W:\squadh\r2562c\jkharva\left lane\r2562c_sd_01.dgn
 jkharva

REVISIONS						SHEET NO.
NO.	BY:	DATE:	NO.	BY:	DATE:	5-26
1			3			TOTAL SHEETS
2			4			68