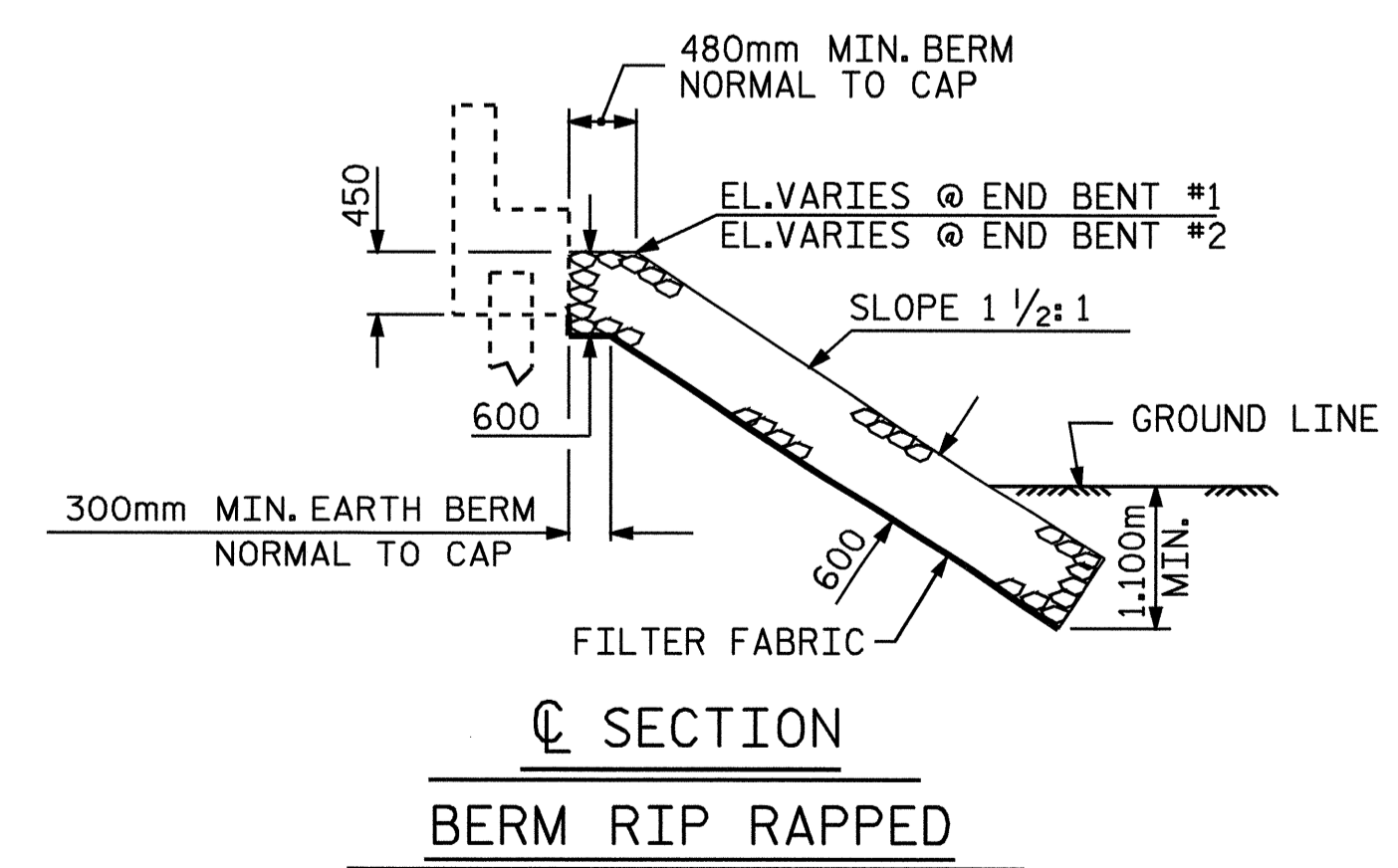


END BENT#1

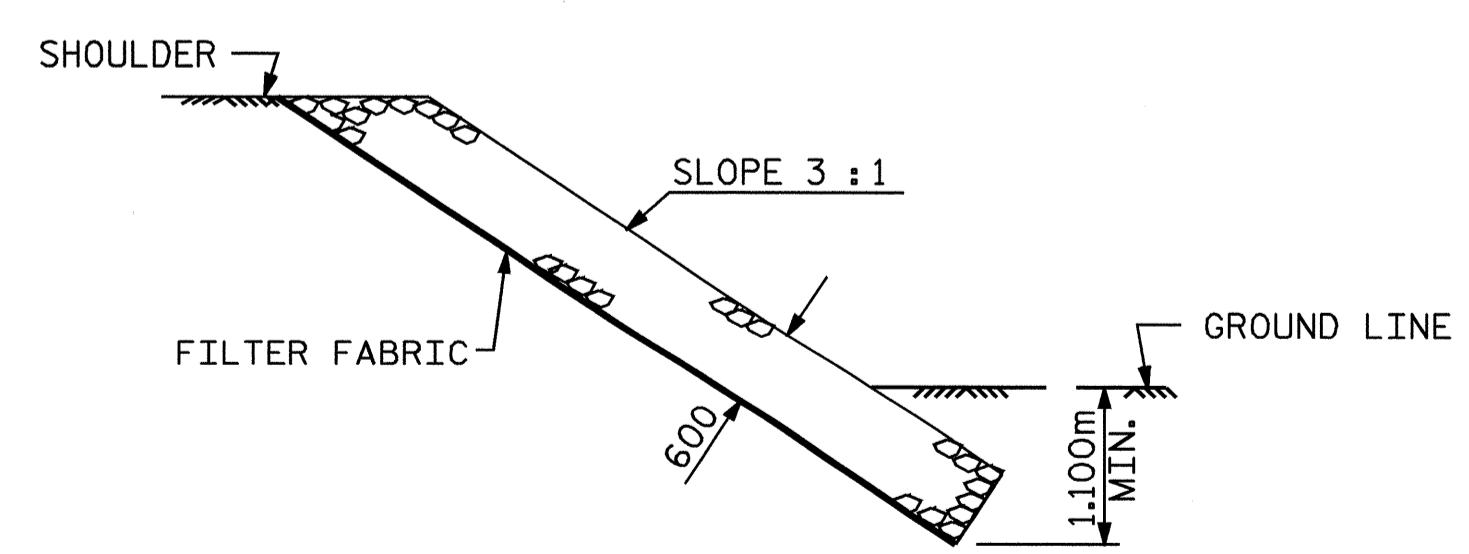
END BENT#2

PLAN

ESTIMATED QUANTITIES		
BRIDGE @ STA. 178+79.500 -L- REV	PLAIN RIP RAP CLASS II	FILTER FABRIC FOR DRAINAGE
	METRIC TON	SQUARE METERS
END BENT #1	318	324
END BENT #2	338	345

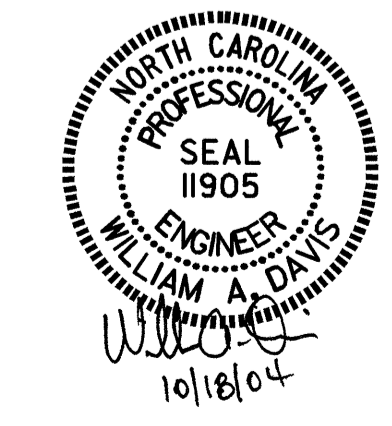


SECTION C-C  
BERM RIP RAPPED



SECTION C-C

PROJECT NO. R-2562C  
BLADEN COUNTY  
 STATION: 178+79.50 -L- REV



STATE OF NORTH CAROLINA  
 DEPARTMENT OF TRANSPORTATION  
 RALEIGH  
**CLASS II  
 RIP RAP DETAILS  
 (LEFT LANE)**

DRAWN BY : G.O. COOPER DATE : 20MAY'04  
 CHECKED BY : J. G. KHARVA DATE : 08/23/04

REVISIONS						SHEET NO. S-28
NO.	BY:	DATE:	NO.	BY:	DATE:	
1			3			TOTAL SHEETS 68
2			4			