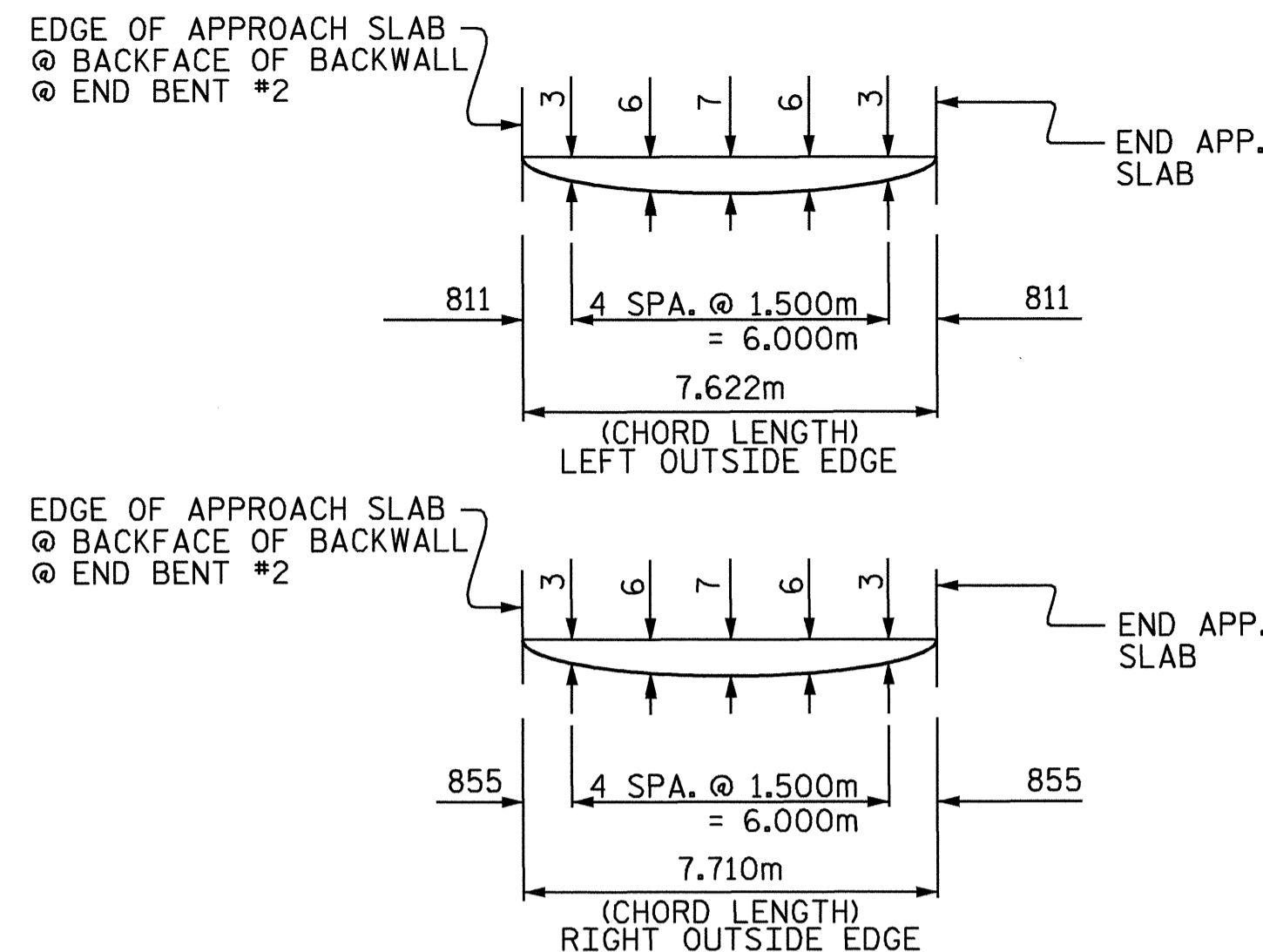
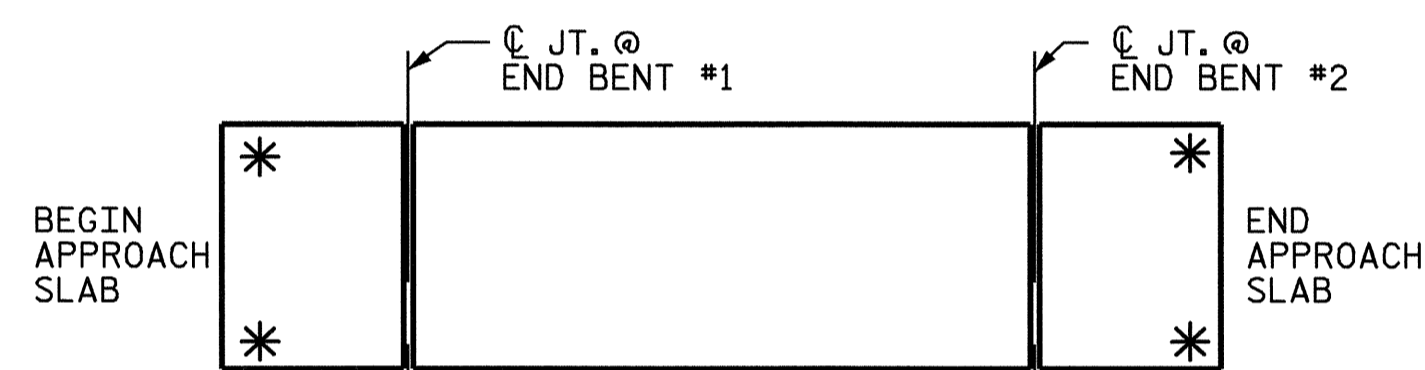


ARC OFFSETS @ END BENT #1

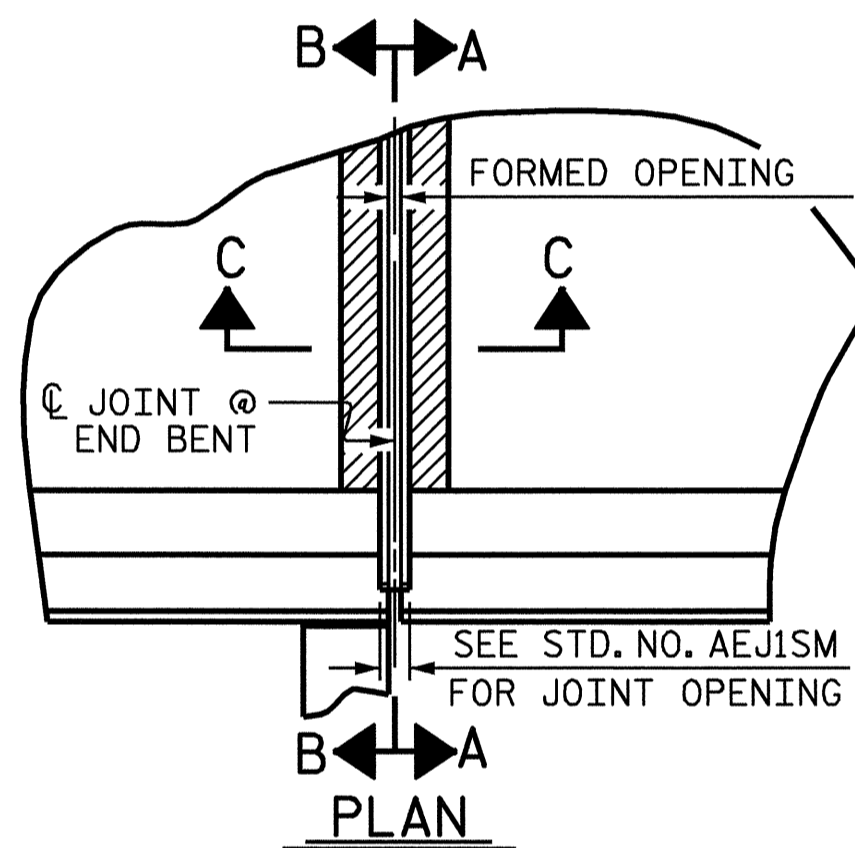


CURVE OFFSETS @ END BENT #2

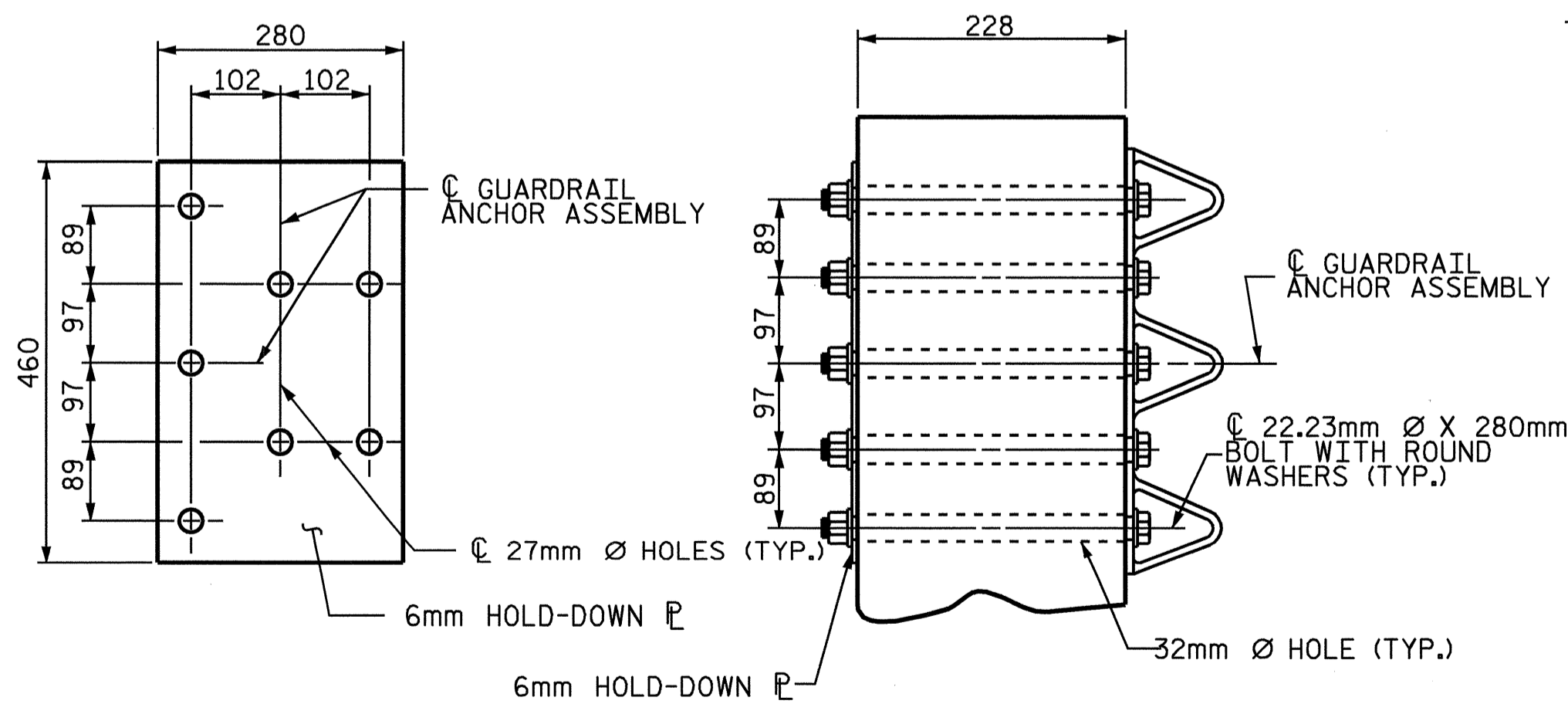


SKETCH SHOWING POINTS OF ATTACHMENT

* INDICATES POINTS OF ATTACHMENT



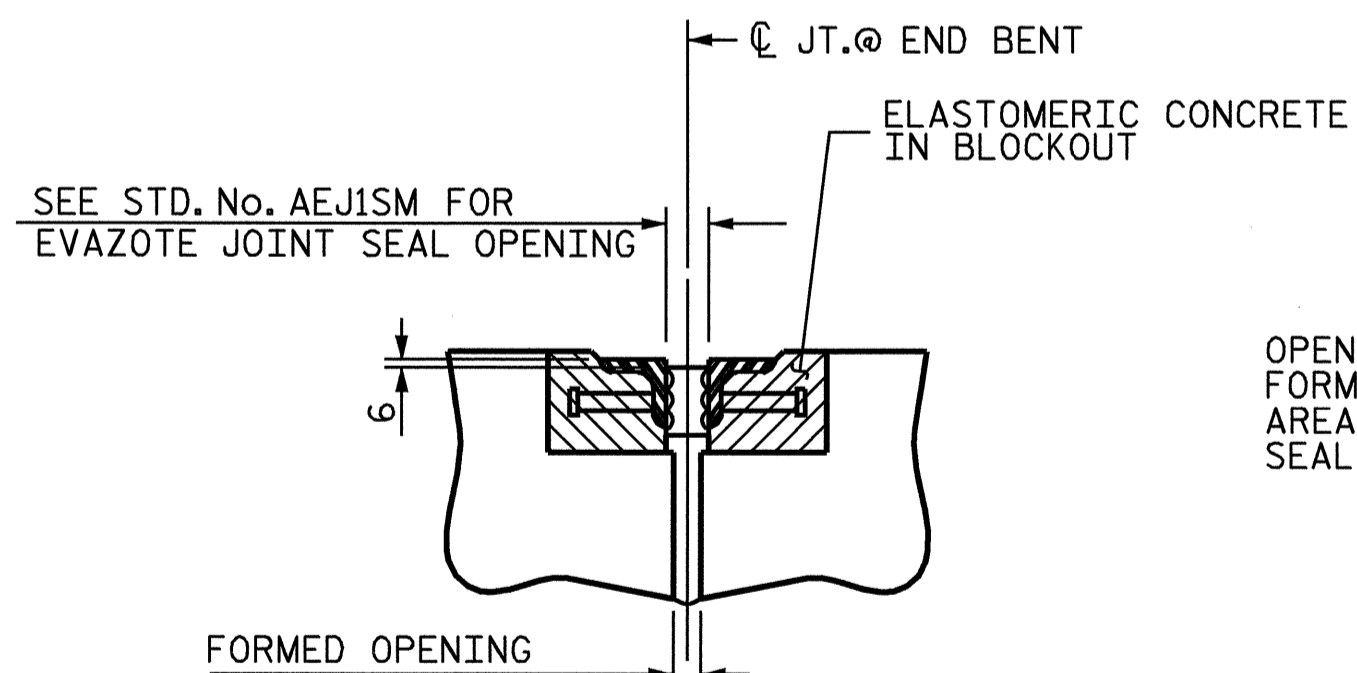
PLAN



PLAN

SECTION E-E

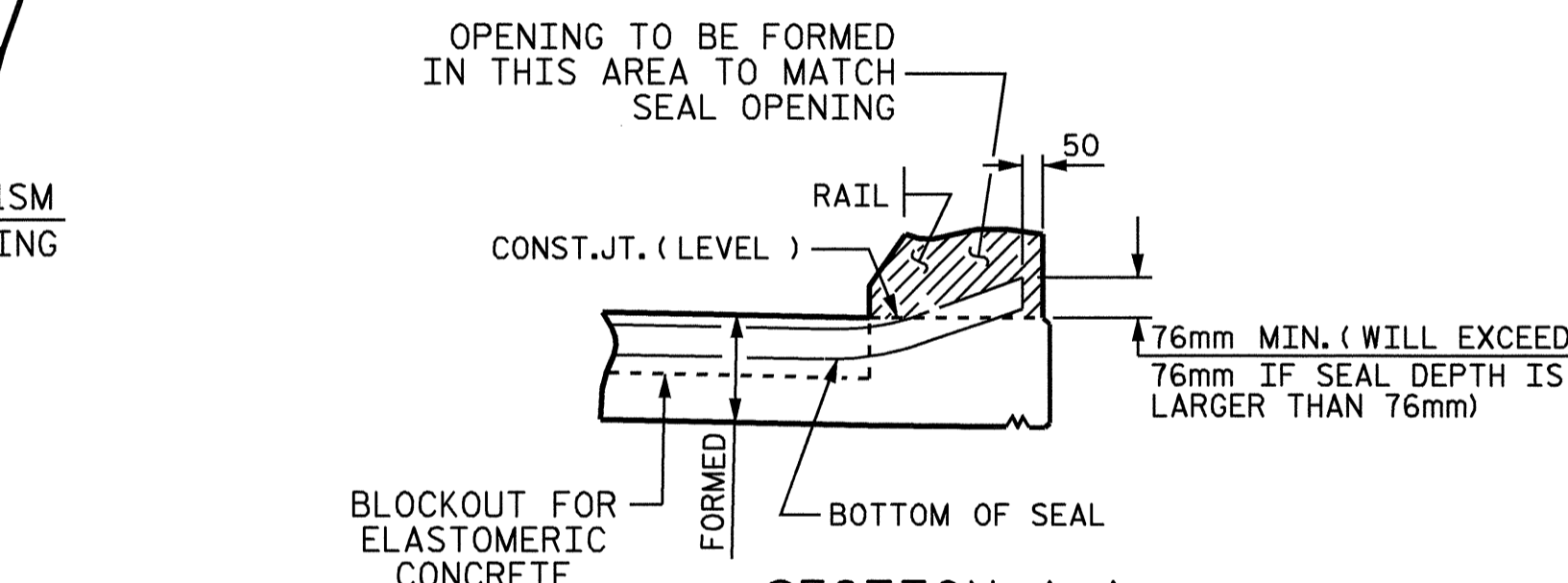
GUARDRAIL ANCHOR ASSEMBLY DETAILS



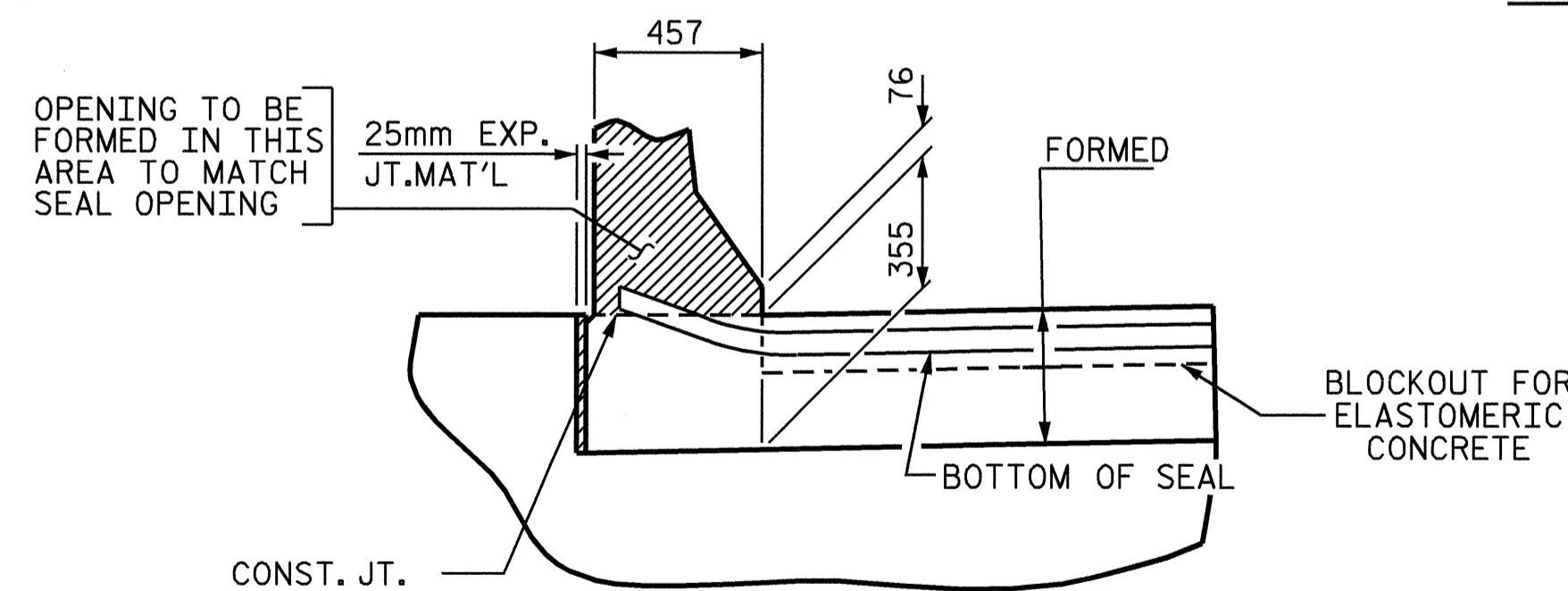
SECTION C-C
ARMORED EVAZOTE JOINT SEAL

JOINT SEAL DETAILS @ END BENT

(FOR BARRIER RAIL)



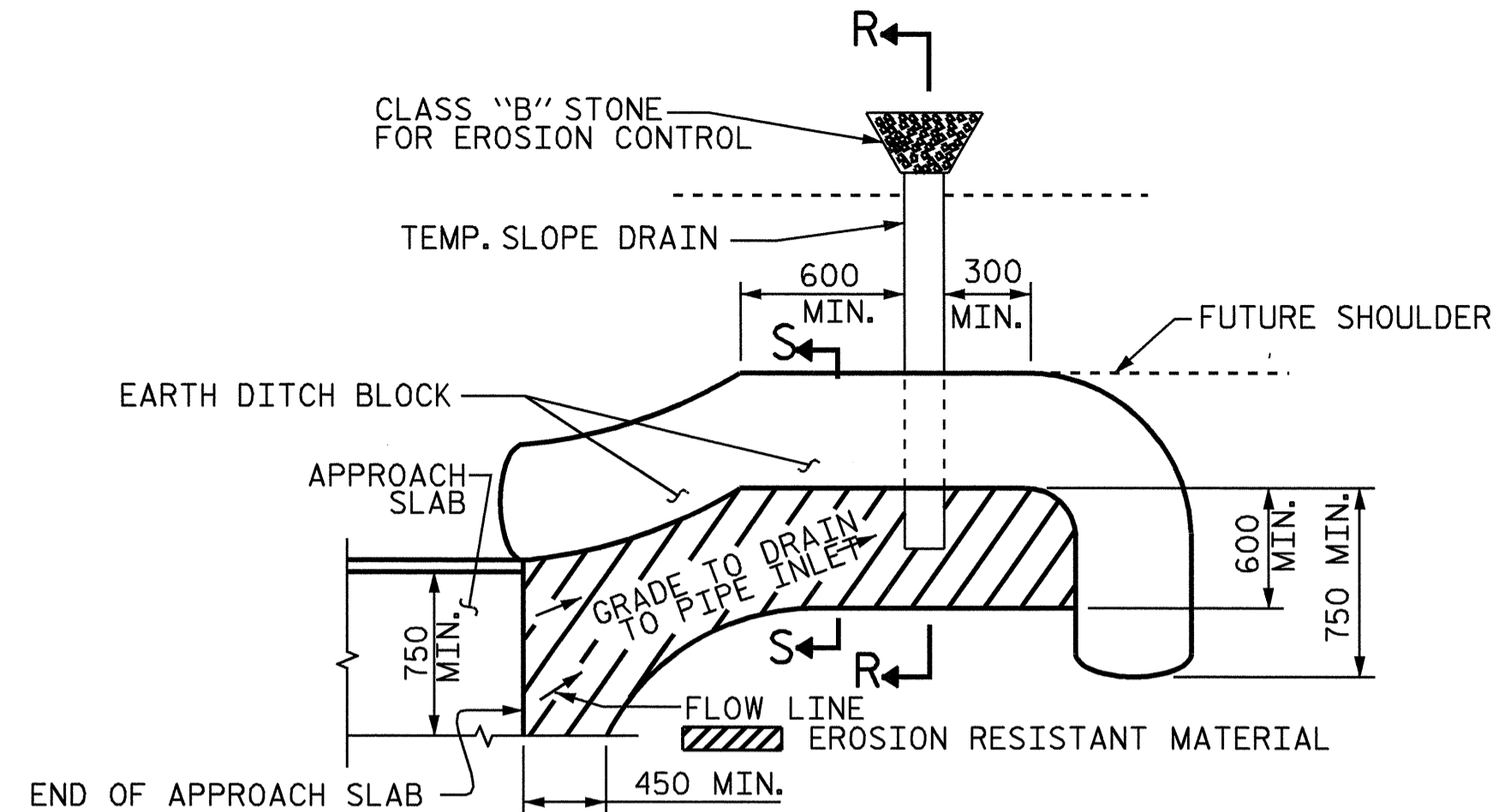
SECTION A-A



SECTION B-B

JOINT SEAL DETAILS @ END BENT

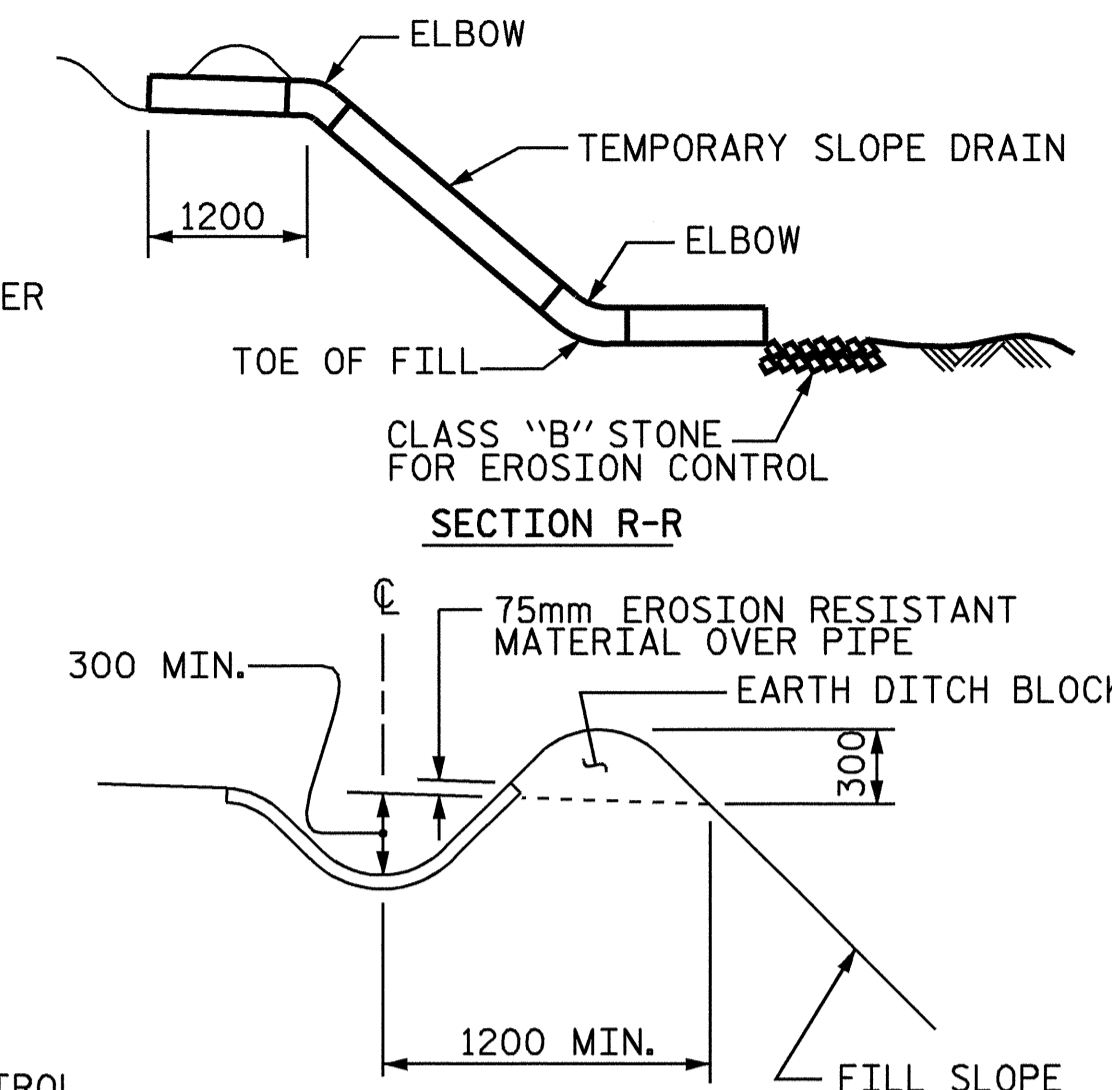
(FOR BARRIER RAIL)



PLAN VIEW

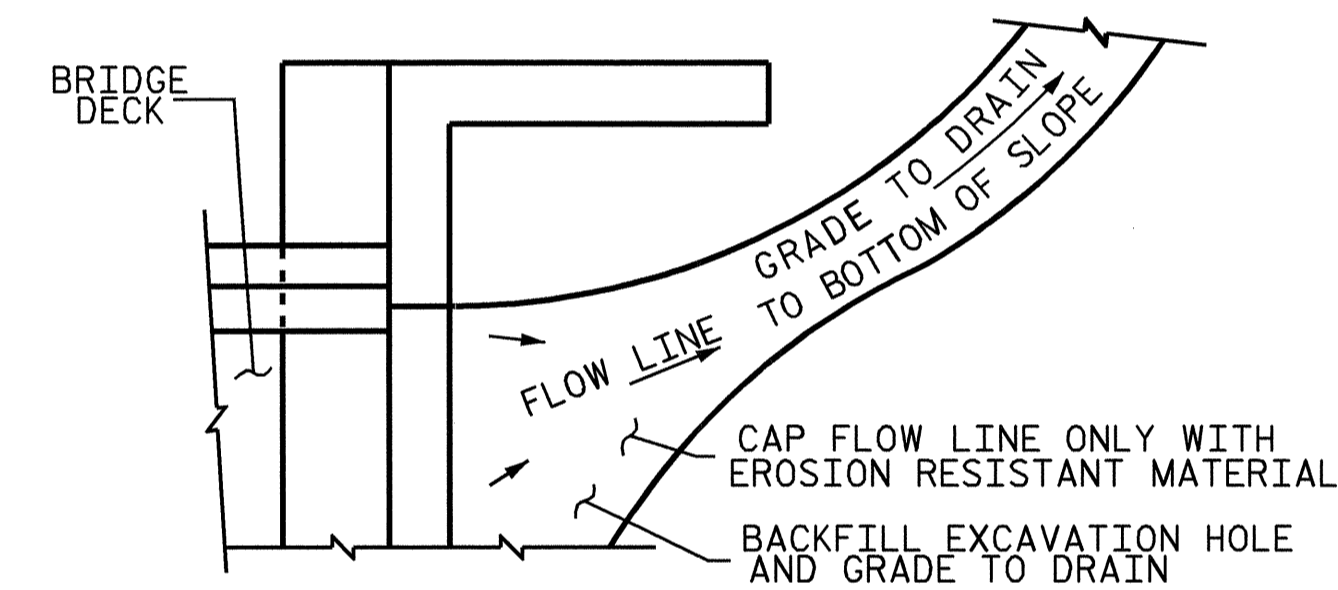
TEMPORARY BERM AND SLOPE DRAIN DETAILS

NOTE: IMMEDIATELY AFTER THE CONSTRUCTION OF THE APPROACH SLAB, THE CONTRACTOR SHALL PROVIDE TEMPORARY BERM AND SLOPE DRAIN. CONTRACTOR SHALL GRADE TO PIPE INLET AND PROVIDE EROSION RESISTANT MATERIAL AS SHOWN. THE EROSION RESISTANT MATERIAL SHALL BE EITHER 1) ASPHALT PLANT MIX, TYPE 1 OR TYPE 2, MIN. 50mm DEPTH, 2) EROSION CONTROL MAT, OR 3) CONCRETE, AS DIRECTED BY THE ENGINEER. THE SLOPE DRAIN SHALL CONSIST OF A NON-PERFORATED TEMPORARY DRAINAGE PIPE, 305mm IN DIAMETER.



SECTION R-R

SECTION S-S

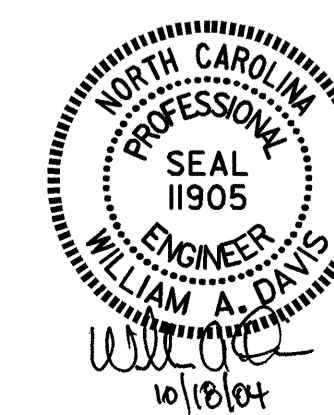


NOTE: IF THE APPROACH SLAB IS NOT CONSTRUCTED IMMEDIATELY AFTER THE BACKFILLING OF THE END BENT EXCAVATION, GRADE TO DRAIN TO THE BOTTOM OF THE SLOPE AND PROVIDE EROSION RESISTANT MATERIAL, SUCH AS FIBERGLASS ROVING OR AS DIRECTED BY THE ENGINEER TO PREVENT SOIL EROSION AND TO PROTECT THE AREA ADJACENT TO THE STRUCTURE. THE CONTRACTOR WILL BE REQUIRED TO REMOVE THESE MATERIALS PRIOR TO CONSTRUCTION OF THE APPROACH SLAB.

TEMPORARY DRAINAGE DETAIL

PROJECT NO. R-2562C
BLADEN COUNTY
STATION: 178+79.500 -L- REV

SHEET 3 OF 3



STATE OF NORTH CAROLINA
DEPARTMENT OF TRANSPORTATION
RALEIGH
STANDARD
BRIDGE APPROACH
SLAB DETAILS

(LEFT LANE)

REVISIONS						SHEET NO.	
NO.	BY:	DATE:	NO.	BY:	DATE:	S-31	
1			3			TOTAL SHEETS 68	
2			4				

ASSEMBLED BY : J.D. HAWK	DATE : 7/21/04
CHECKED BY : J.G. KHARVA	DATE : 8/21/04
DRAWN BY : FCJ 11/88	REV. 8/16/99 RAL/LES
CHECKED BY : ARB 11/88	REV. 10/17/00 RWW/LES
	REV. 5/7/03 RWW/JTE