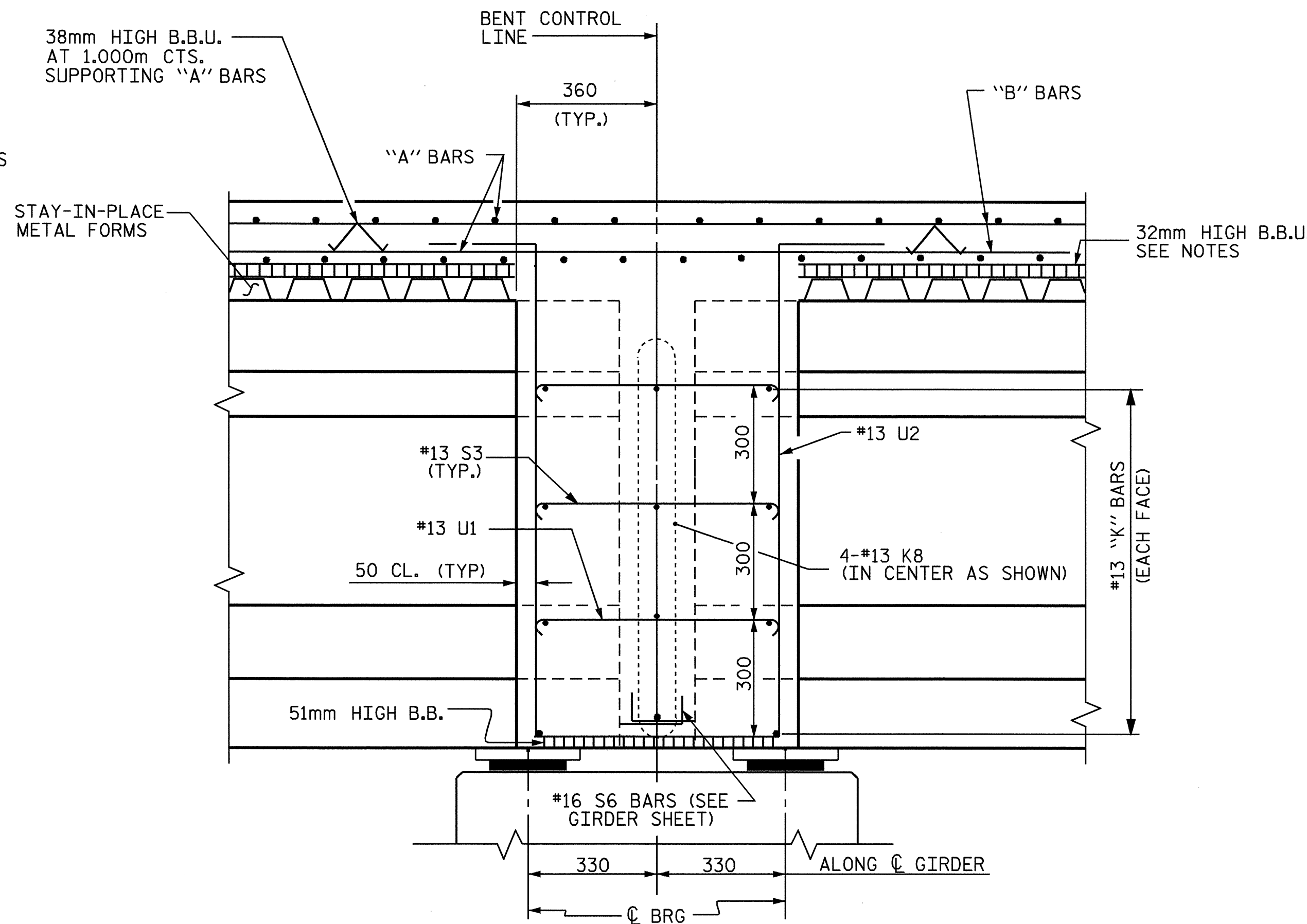
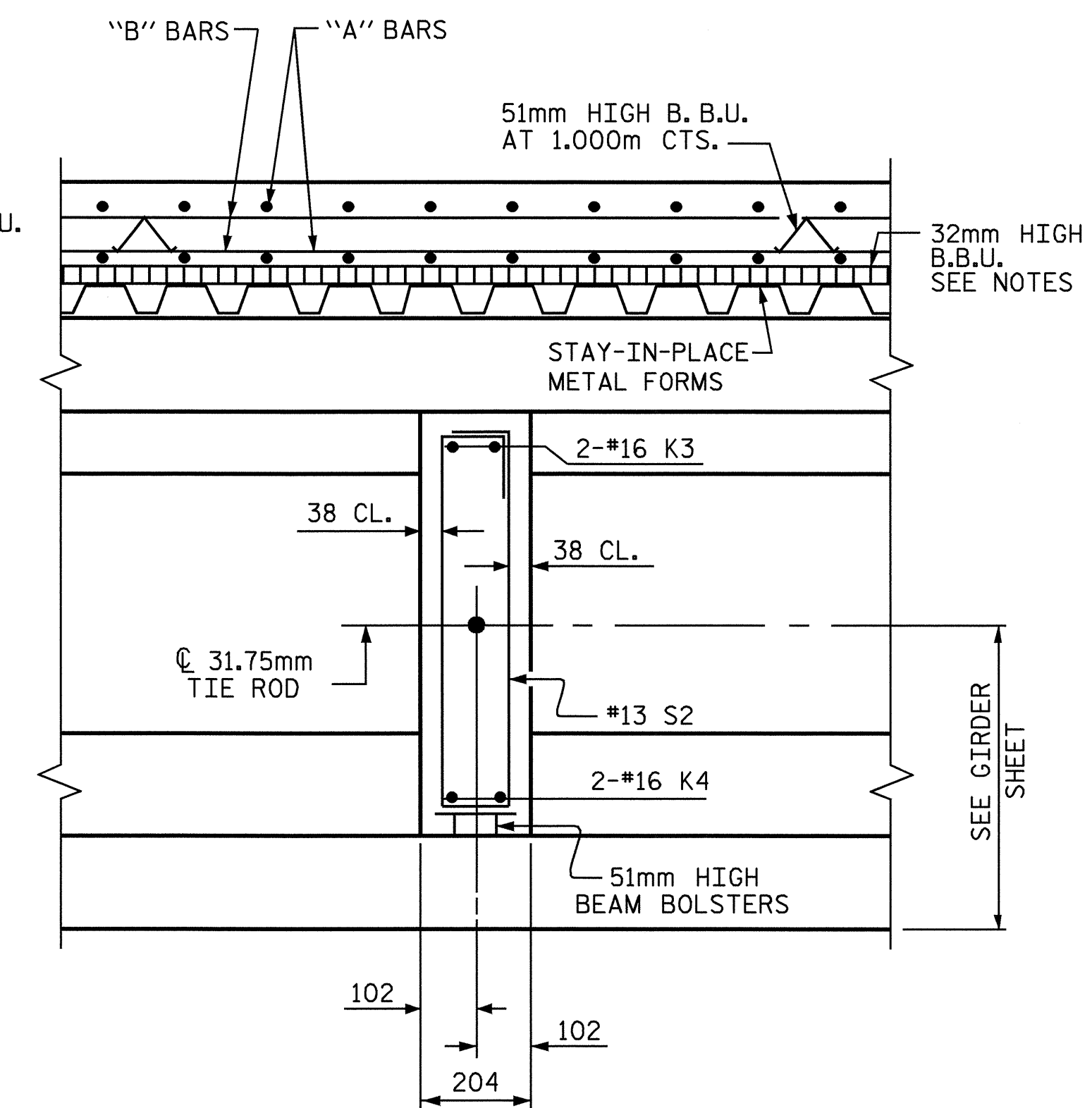


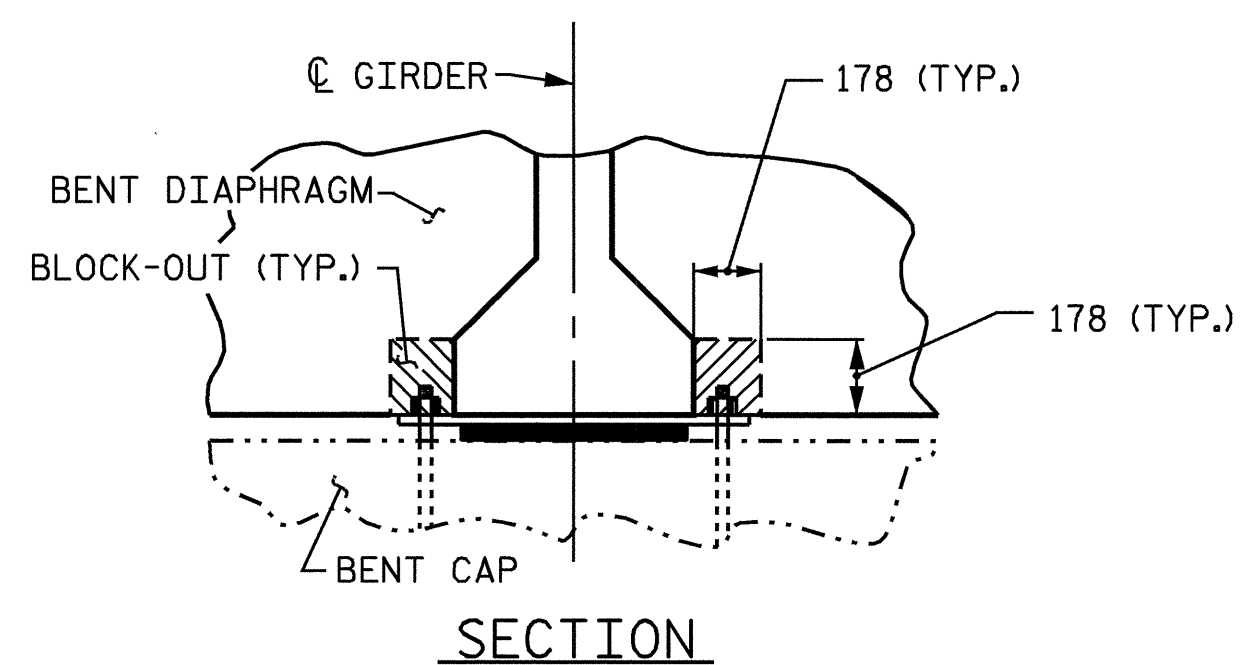
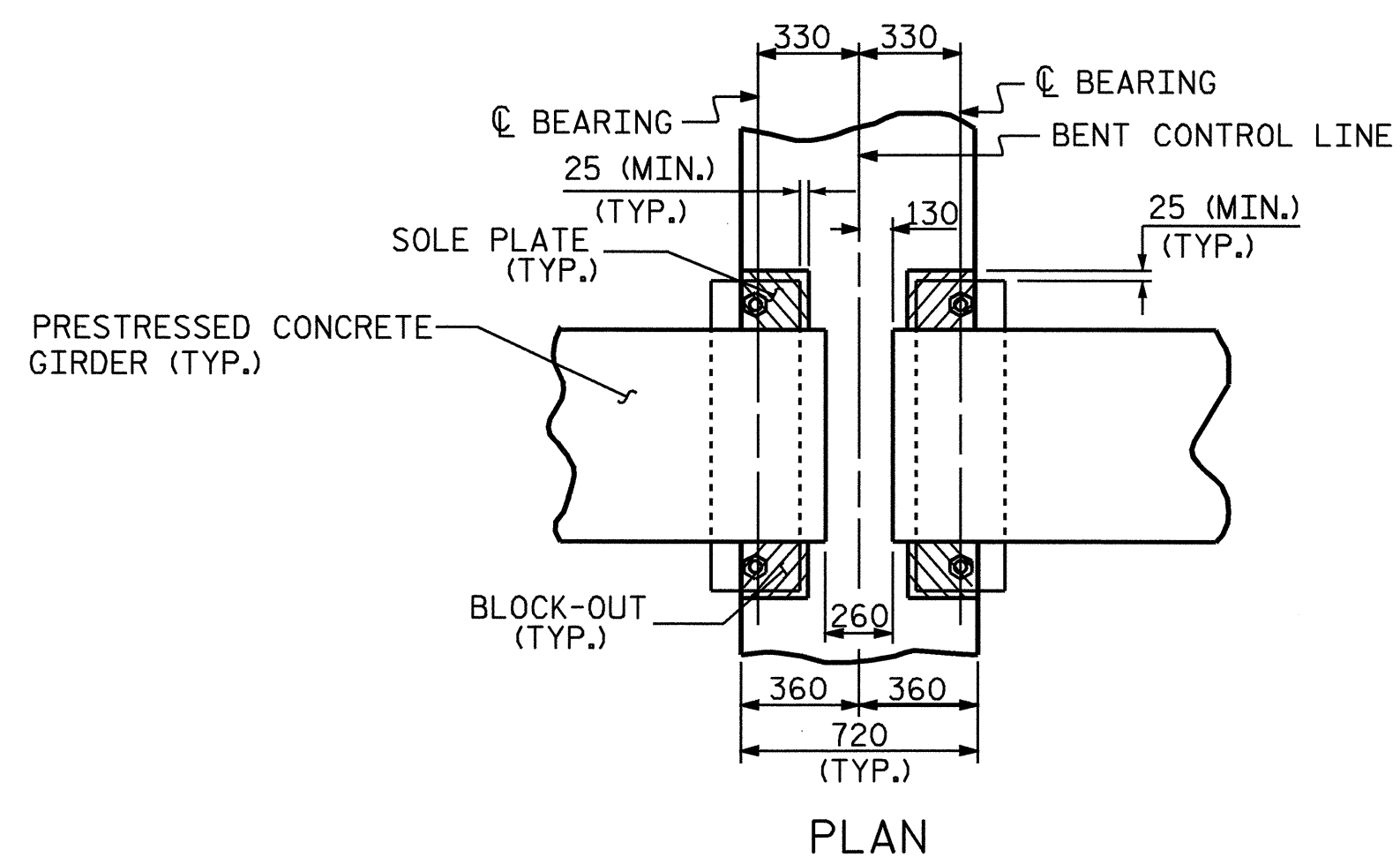
SECTION THRU END BENT DIAPHRAGM



SECTION THRU BENT DIAPHRAGM



SECTION THRU INTERMEDIATE DIAPHRAGM



BENT DIAPHRAGM BLOCKOUT DETAIL

PROJECT NO. R-2562C
BLADEN COUNTY
 STATION: 178+79.500 -L- REV

SHEET 2 OF 2



STATE OF NORTH CAROLINA
 DEPARTMENT OF TRANSPORTATION
 RALEIGH
 SUPERSTRUCTURE
 TYPICAL DETAILS
 (RIGHT LANE)

REVISIONS						SHEET NO. S-40
NO.	BY:	DATE:	NO.	BY:	DATE:	
1			3			TOTAL SHEETS 68
2			4			

DRAWN BY : J. G. KHARVA DATE : 06/15/04
 CHECKED BY : E. I. OMILE DATE : 08/24/04

18-OCT-2004 13:02
 W:\squadh\2562C\jkharva\right lane\2562c_sd_ts_02.dgn
 jkharva