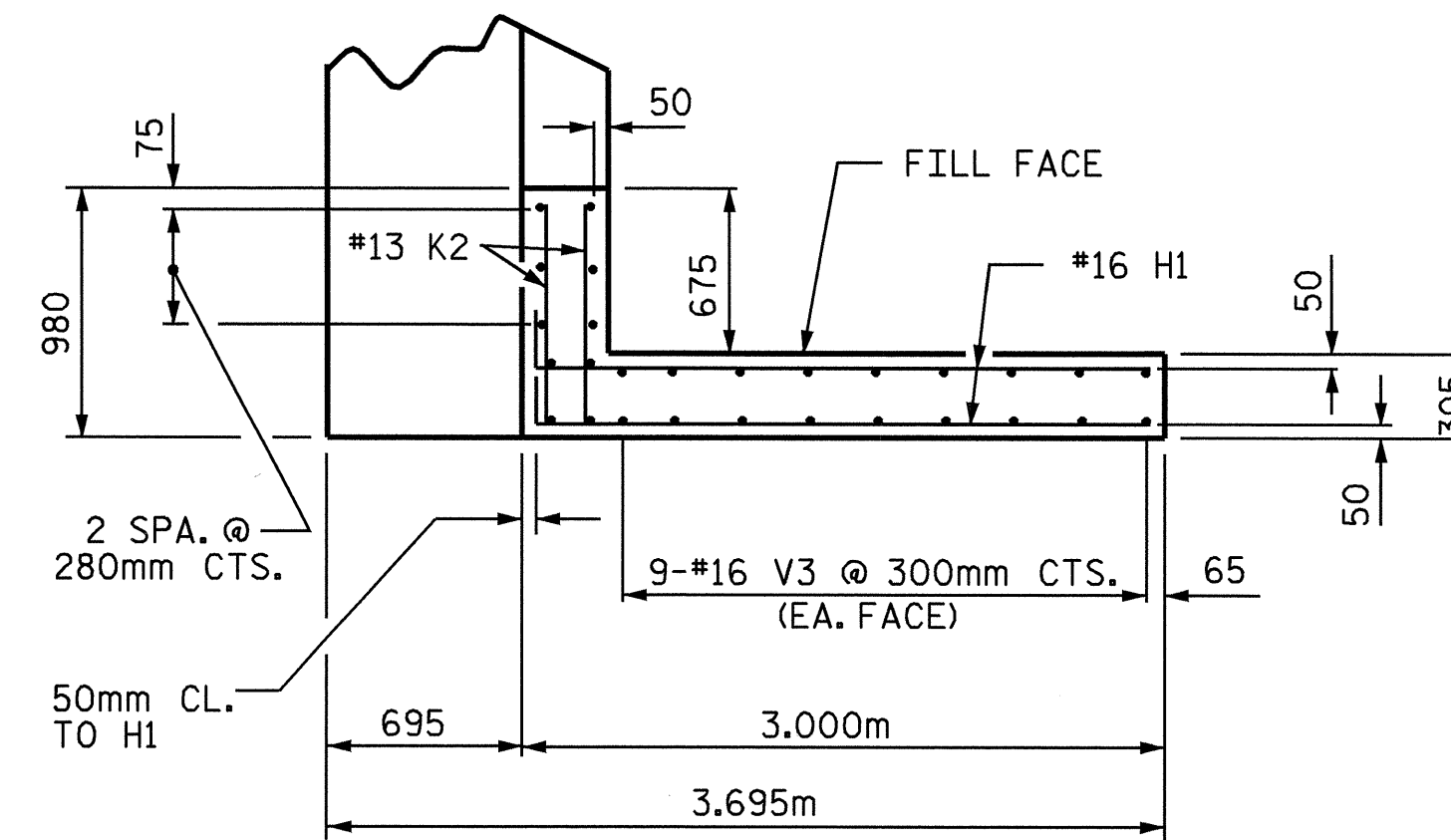
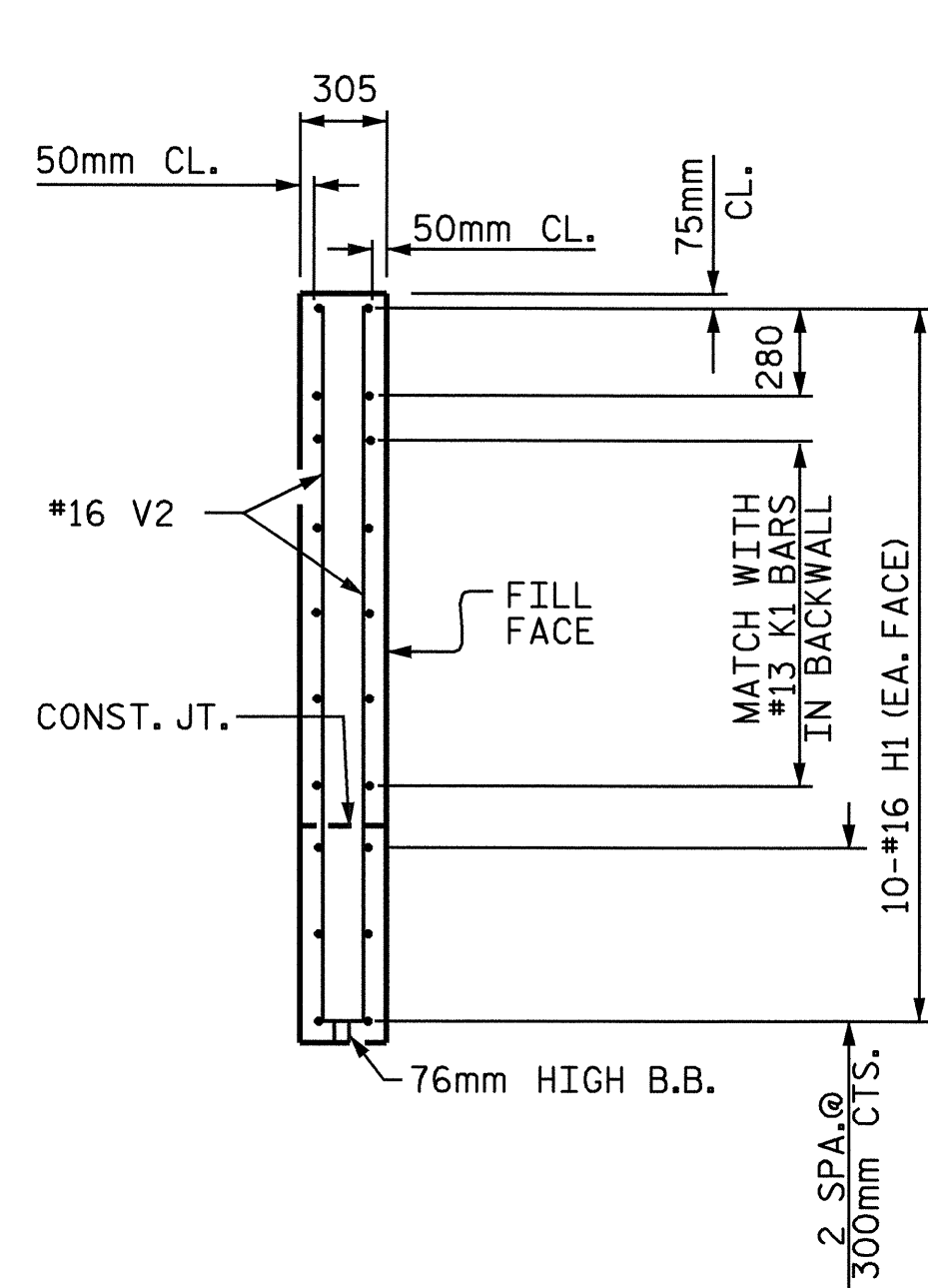


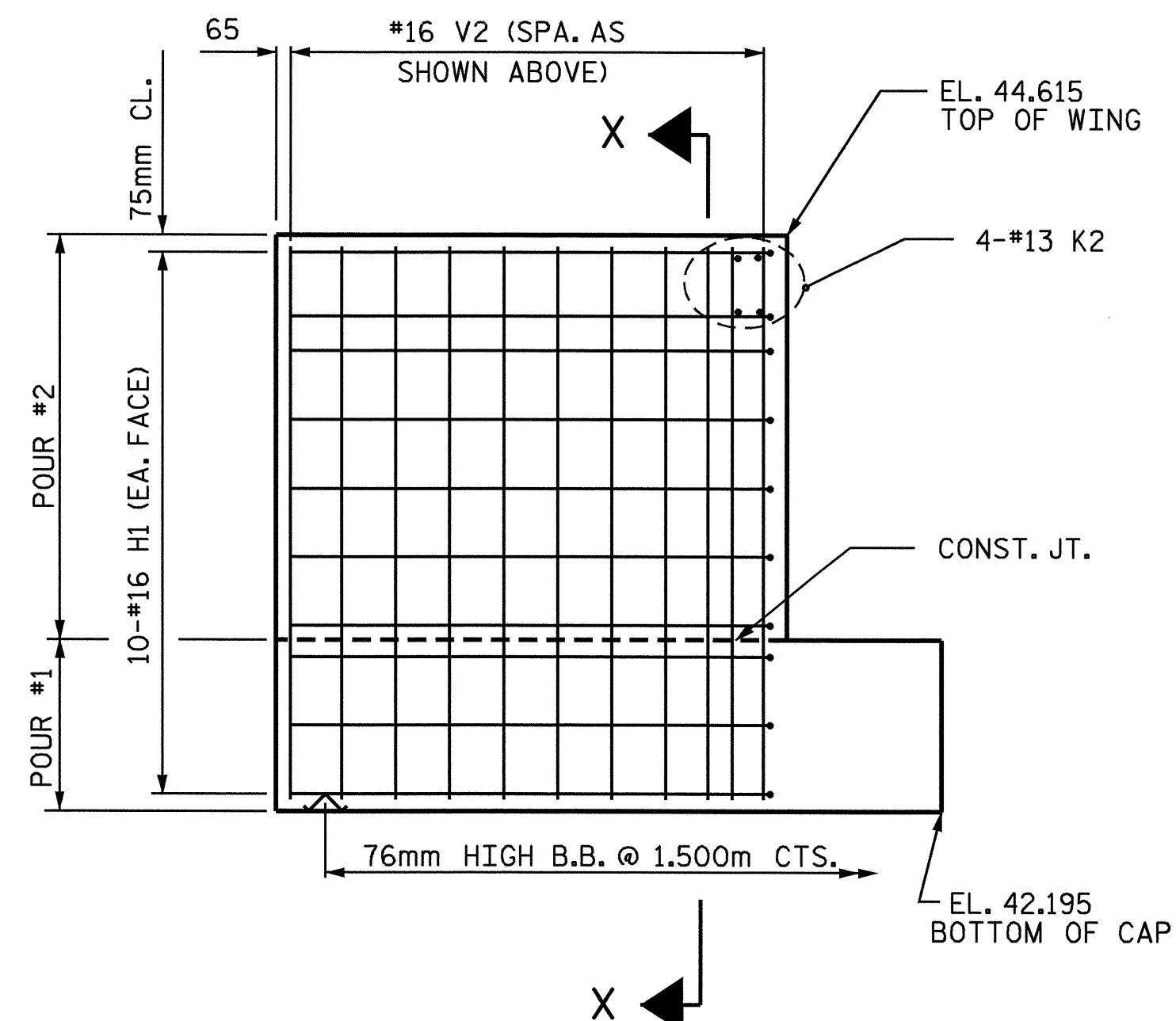
PLAN OF WING W1



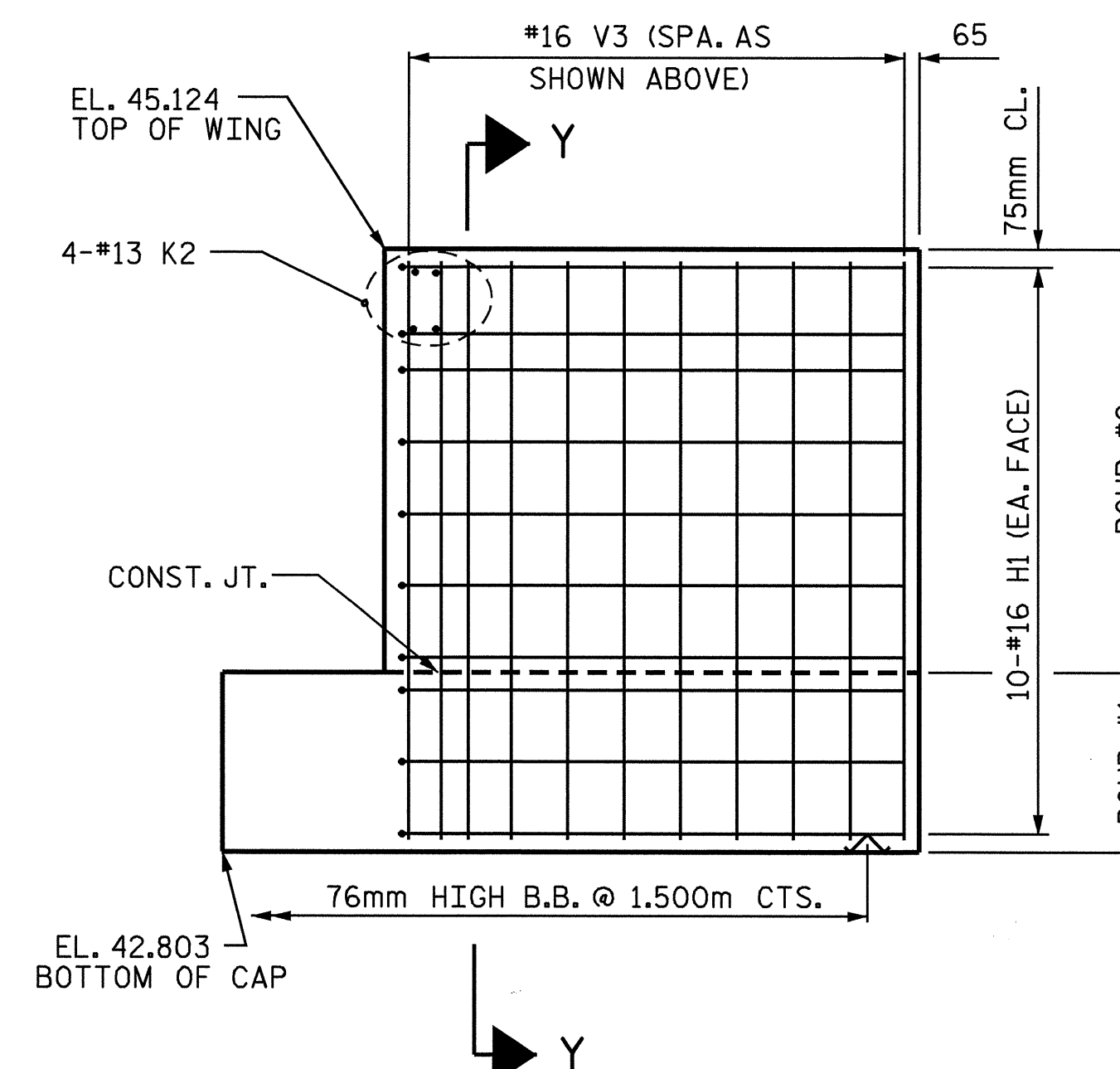
PLAN OF WING W2



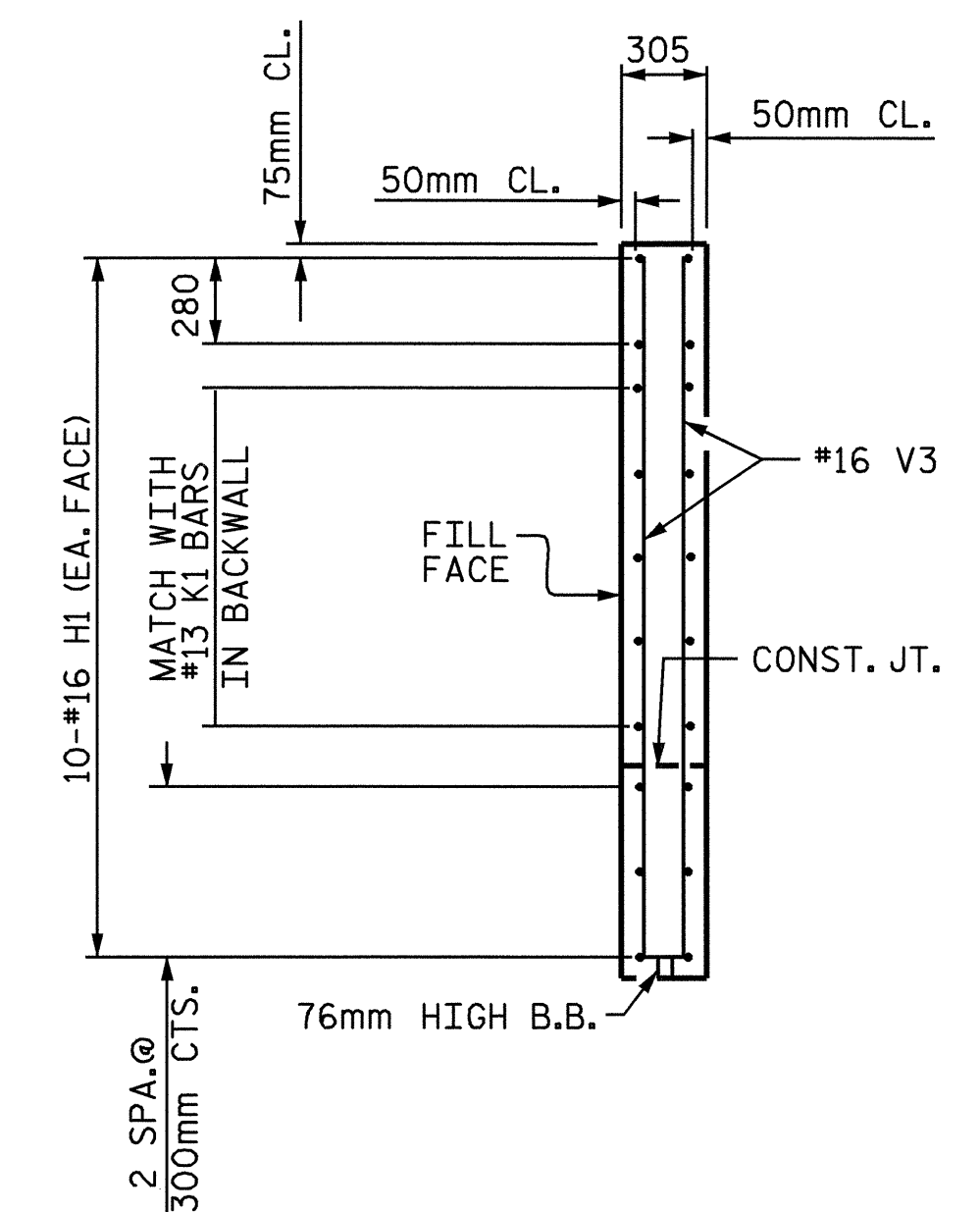
SECTION X-X



ELEVATION OF WING W1



ELEVATION OF WING W2



SECTION Y-Y

PROJECT NO. R-2562C
 BLADEN COUNTY
 STATION: 178+79.500 -L- REV

SHEET 2 OF 3



| STATE OF NORTH CAROLINA DEPARTMENT OF TRANSPORTATION RALEIGH | | | | | | SHEET NO. S-60 |
|--|-----|-------|-----|-----|-------|--------------------|
| SUBSTRUCTURE END BENT #2 (RIGHT LANE) | | | | | | TOTAL SHEETS 68 |
| REVISIONS | | | | | | |
| NO. | BY: | DATE: | NO. | BY: | DATE: | |
| 1 | | | 3 | | | |
| 2 | | | 4 | | | |

DRAWN BY : J. G. KHARVA DATE : 07-02-04
 CHECKED BY : J. D. HAWK DATE : 08-23-04

18-OCT-2004 13:08
 W:\squadh\2562C\jkharva\right lane\2562c_sd_ebs_02.dgn
 jkharva