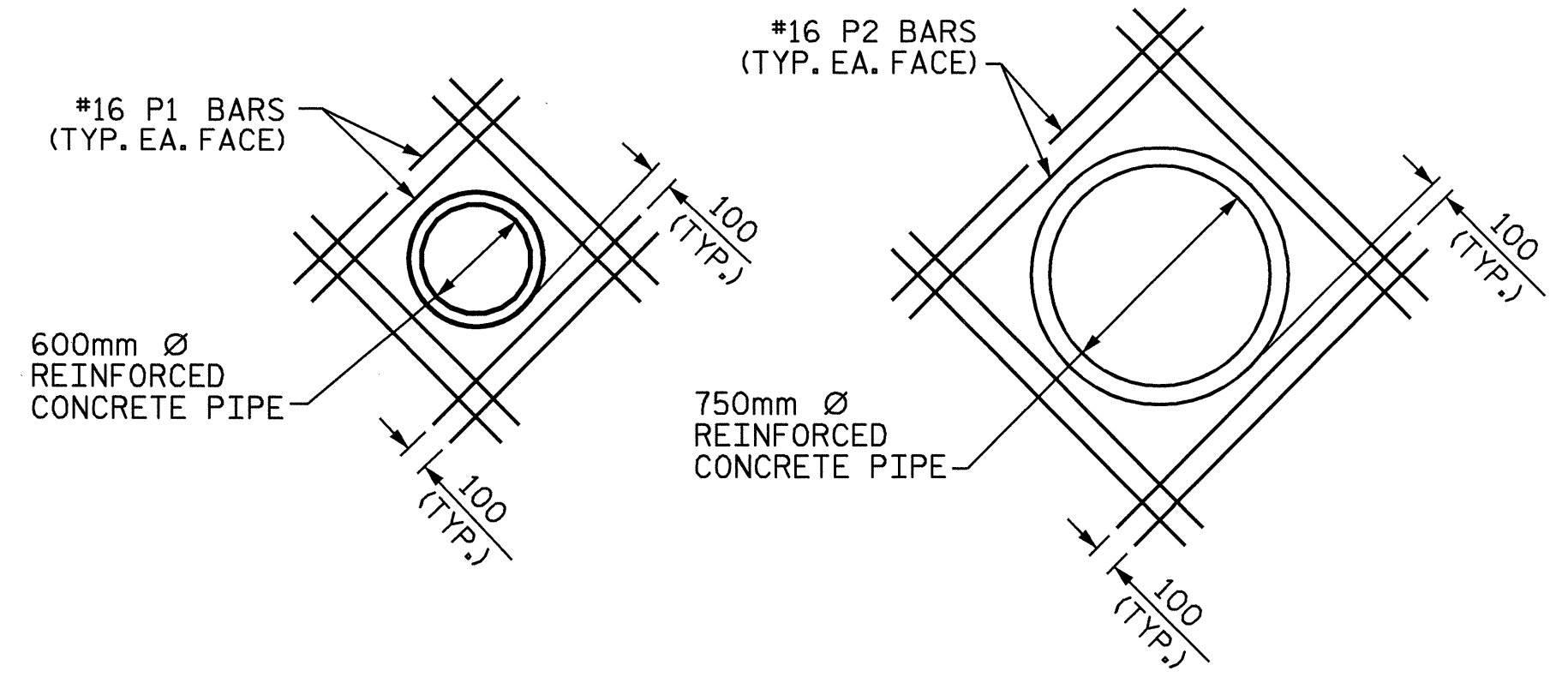


RIGHT ANGLE SECTION OF BARREL  
THERE ARE 30 "C" BARS IN SECTION OF BARREL



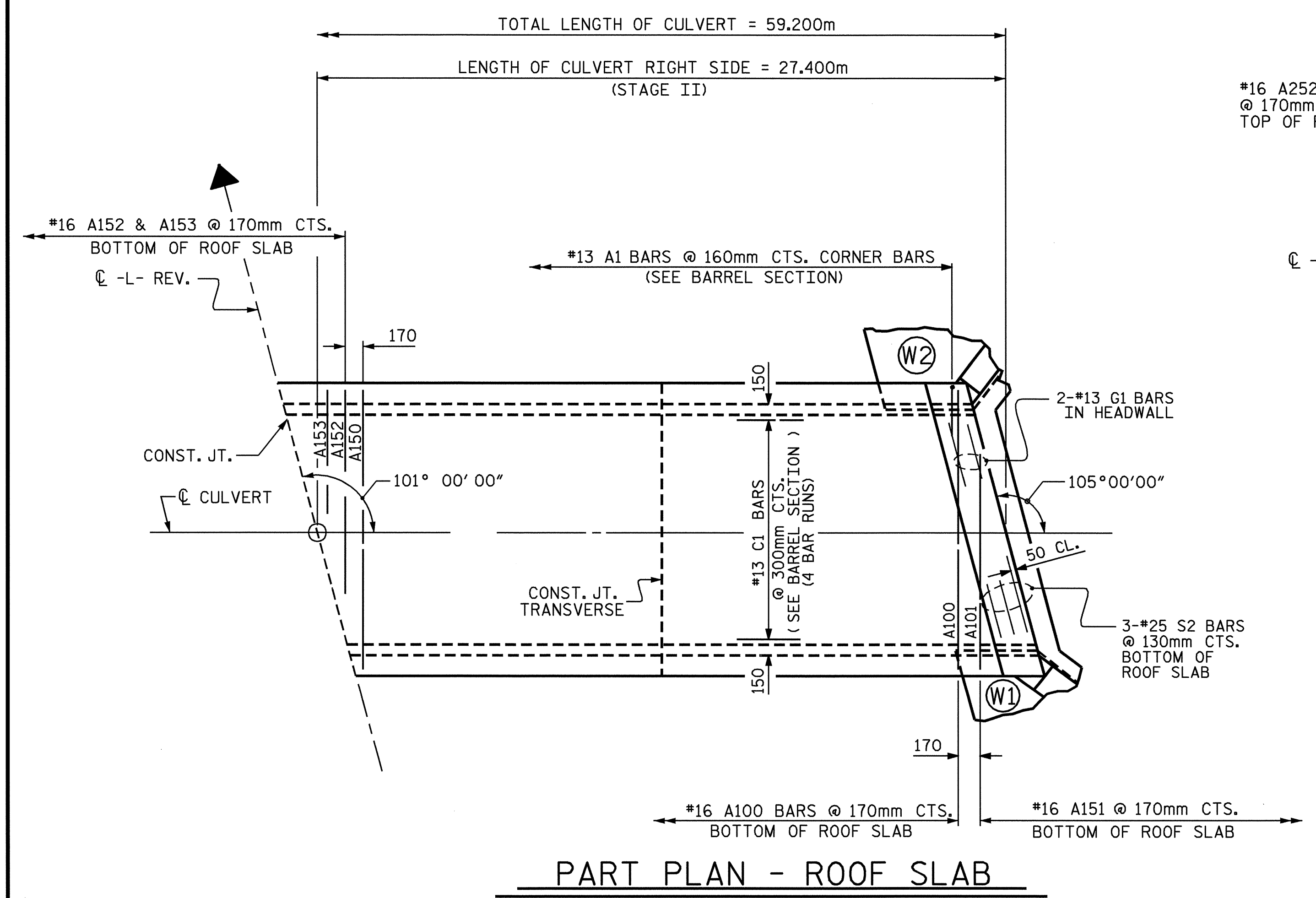
DETAIL SHOWING REINFORCING STEEL AROUND PIPES

BILL OF MATERIAL						BILL OF MATERIAL					
STAGE I						STAGE II					
BAR NO	SIZE	TYPE	LENGTH	WEIGHT		BAR NO	SIZE	TYPE	LENGTH	WEIGHT	
A1	398	13	1	1680	665	A1	342	13	1	1680	571
A2	398	13	1	1660	657	A2	342	13	1	1660	564
A100	183	16	STR	2360	670	A100	158	16	STR	2360	579
A101	2	16	STR	1460	5	A151	2	16	STR	1180	4
A102	1	16	STR	2040	3	A152	1	16	STR	1640	3
A103	1	16	STR	1160	2	A153	1	16	STR	760	1
A200	183	16	STR	2360	670	A200	158	16	STR	2360	579
A201	2	16	STR	1460	5	A251	2	16	STR	1180	4
A202	1	16	STR	2040	3	A252	1	16	STR	1640	3
A203	1	16	STR	1160	2	A253	1	16	STR	760	1
B1	254	13	STR	1760	444	B1	220	13	STR	1760	385
C1	120	13	STR	8540	1019	C2	120	13	STR	7300	871
G1	2	13	STR	2480	5	G1	2	13	STR	2480	5
P1	16	16	STR	1100	27	S2	6	25	STR	2480	59
P2	16	16	STR	1300	32	REINFORCING STEEL		kg			3,629
S2	6	25	STR	2480	59	REINFORCING STEEL		kg			4,268

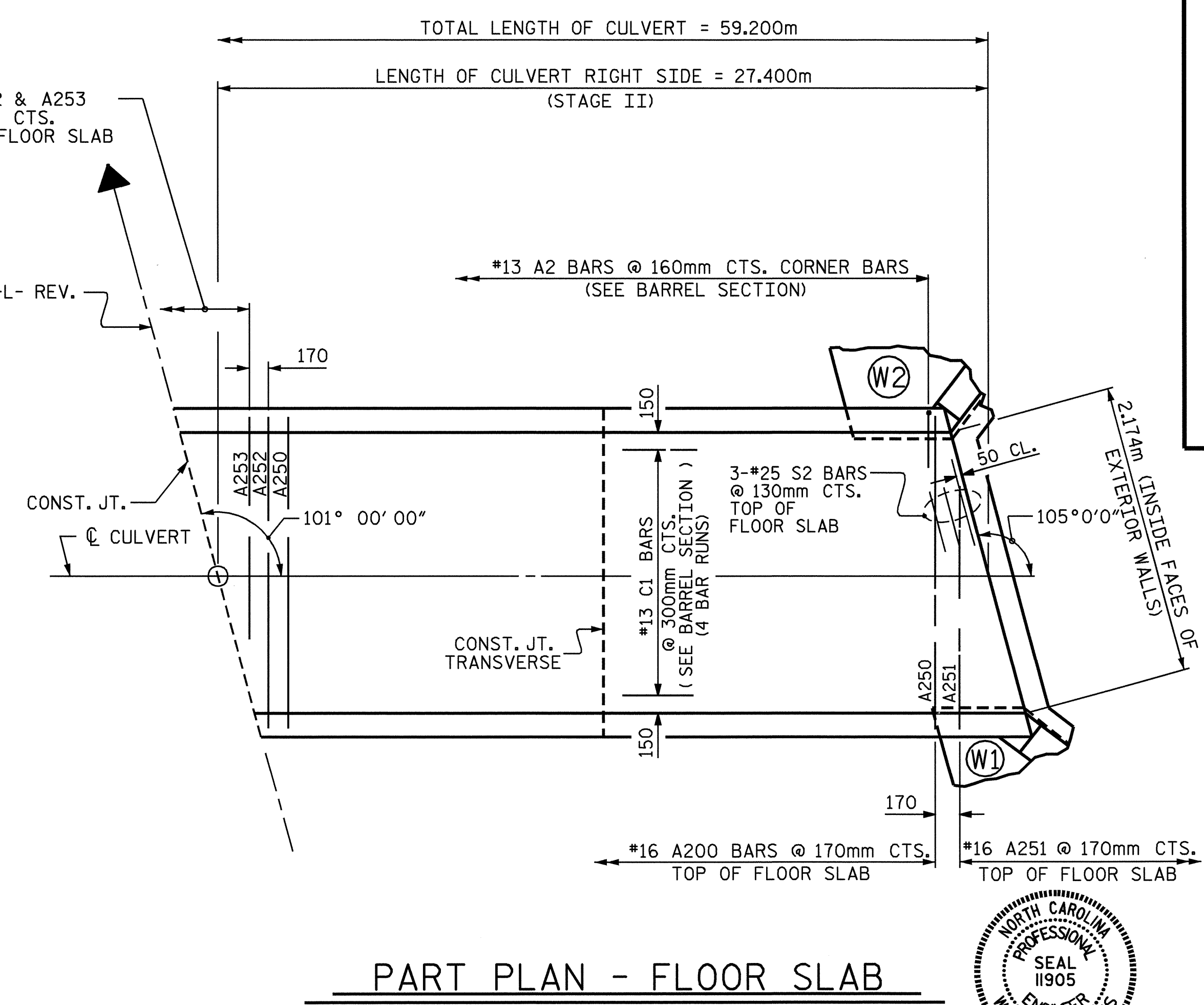
SPLICE LENGTHS CHART		
BAR	SIZE	SPLICE LENGTH
B1	13	540
C1	13	590

BAR TYPES		
VERTICAL LEG	940	920
150 RAD.		
A1	500	
A2	500	
①		

ALL BAR DIMENSIONS ARE OUT TO OUT



PART PLAN - ROOF SLAB

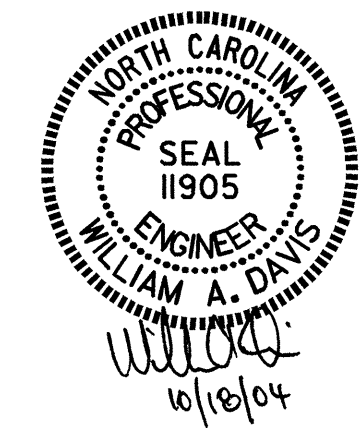


PART PLAN - FLOOR SLAB

PROJECT NO. R-2562C  
BLADEN COUNTY  
STATION: 146+61.950 -L-REV.

SHEET 3 OF 4

STATE OF NORTH CAROLINA  
DEPARTMENT OF TRANSPORTATION  
RALEIGH  
BARREL STANDARD  
SINGLE 2.10m X 1.50m  
CONCRETE BOX CULVERT  
(STAGE II)  
101° SKEW



DRAWN BY: Neil M. Ruffin DATE: 5/19/04  
CHECKED BY: J.D. HAWK DATE: 7/21/04

18-OCT-2004 12:55  
W:\squadh\2562C\vruf\fn\Drawings\R2562C\_sd.CU\_01.dgn  
nruf\fn

REVISIONS						SHEET NO.
NO.	BY:	DATE:	NO.	BY:	DATE:	C-3
1			3			TOTAL SHEETS
2			4			12