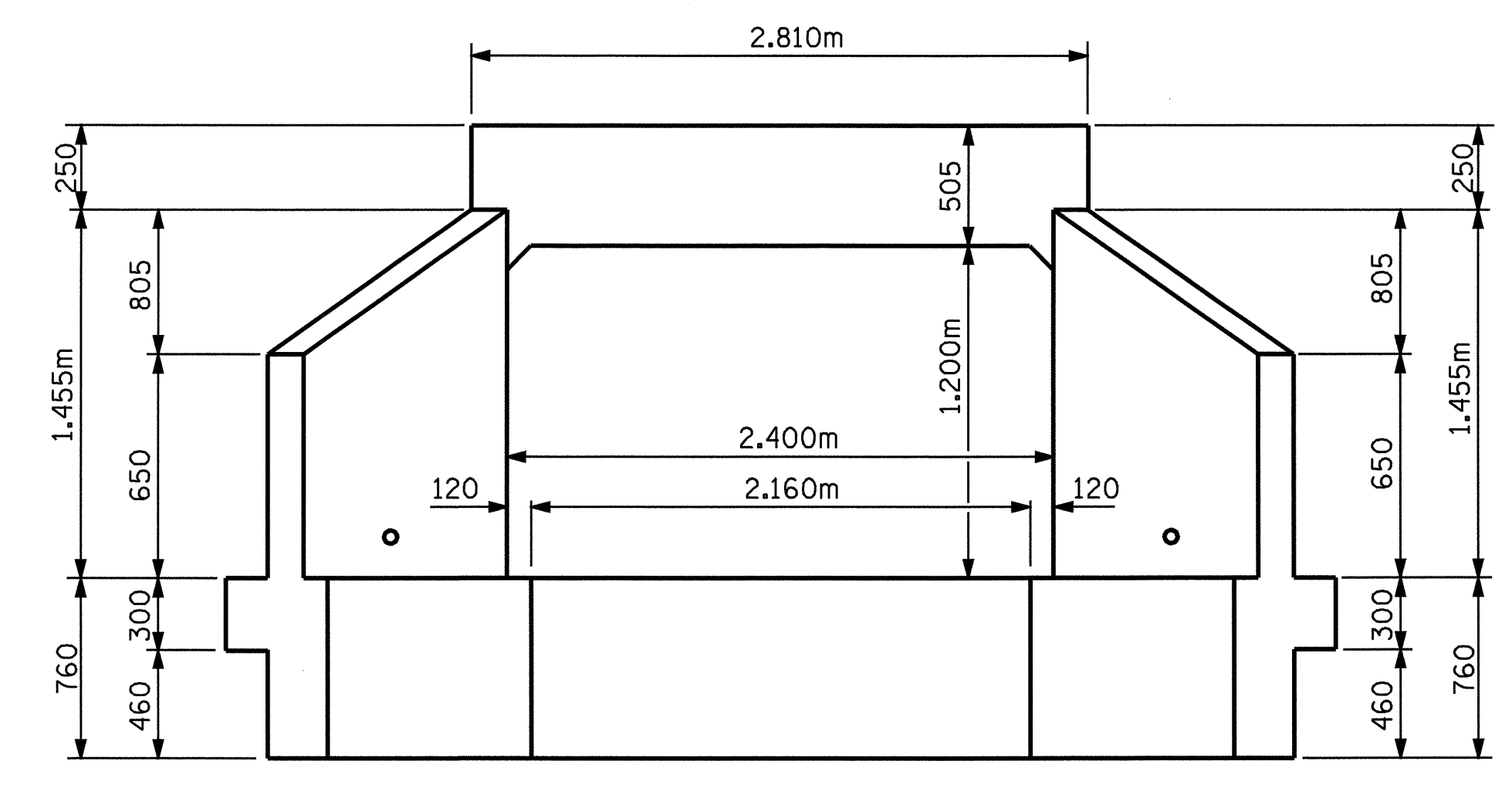
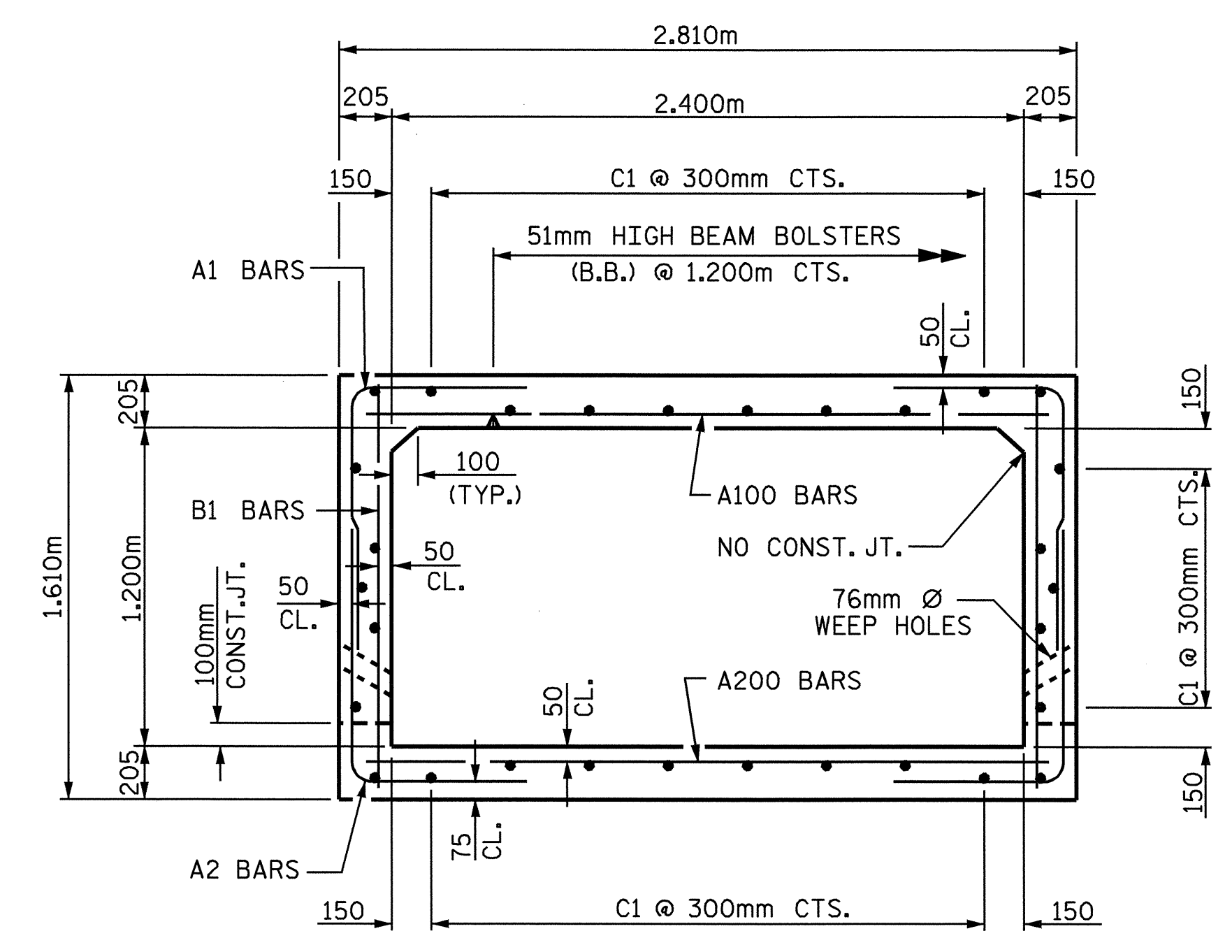


CULVERT SECTION NORMAL TO ROADWAY



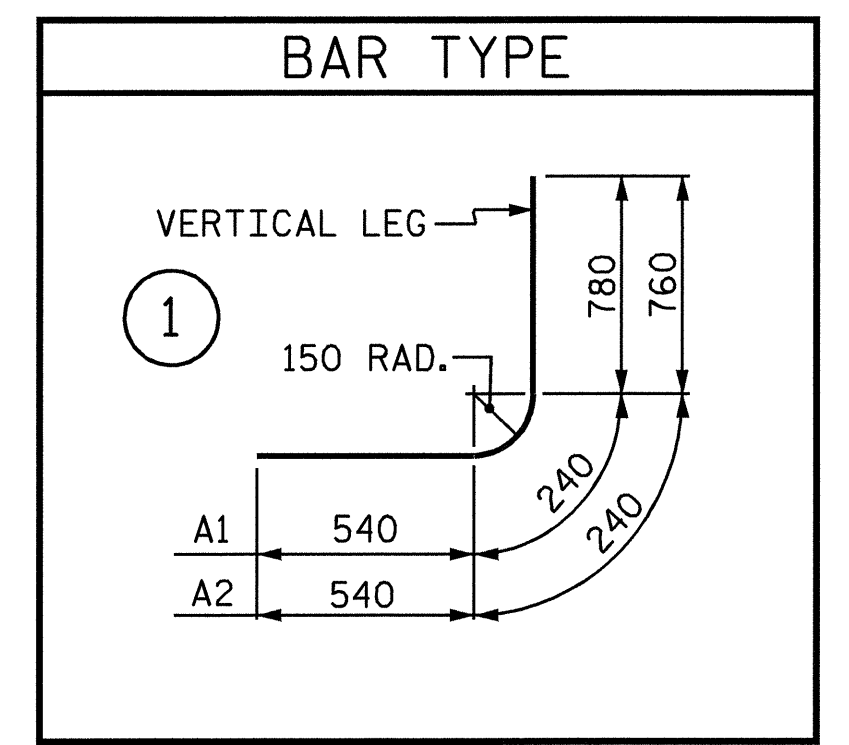
END ELEVATION NORMAL TO SKEW



RIGHT ANGLE SECTION OF BARREL
THERE ARE 30 "C" BARS IN SECTION OF BARREL

**REINFORCING STEEL
BAR SCHEDULE**

BAR	NO	SIZE	TYPE	LENGTH	WEIGHT	
A1	38	16	1	1560	92	
A2	38	16	1	1540	91	
A100	20	16	STR	2660	83	
A200	28	13	STR	2660	74	
B1	28	13	STR	1440	40	
C1	30	13	STR	3980	119	
D1	12	13	STR	760	9	
G1	2	13	STR	2700	5	
REINFORCING STEEL					kg	513

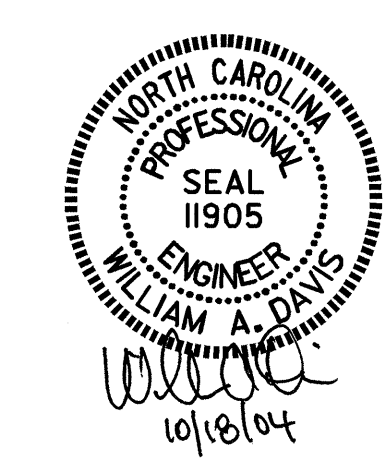


SPLICE LENGTHS CHART

BARS	SIZE	SPLICE LENGTH
C1	#13	590

PROJECT NO. R-2562C
BLADEN COUNTY
 STATION: 155+04.780 -L- REV

SHEET 6 OF 8



STATE OF NORTH CAROLINA
 DEPARTMENT OF TRANSPORTATION
 RALEIGH

CULVERT BARREL
 SINGLE 2.4m X 1.2m
 CONCRETE BOX CULVERT
 90°00'00" SKEW
 (RIGHT EXTENSION)

REVISIONS						SHEET NO.
NO.	BY:	DATE:	NO.	BY:	DATE:	C-10
1			3			TOTAL SHEETS
2			4			12

ASSEMBLED BY : <u>N.M. Ruffin</u>	DATE : <u>8/3/04</u>
CHECKED BY : <u>J. D. HAWK</u>	DATE : <u>8/27/04</u>
DRAWN BY : <u>EEM</u>	<u>6/97</u>
CHECKED BY : <u>ARB</u>	<u>7/97</u>