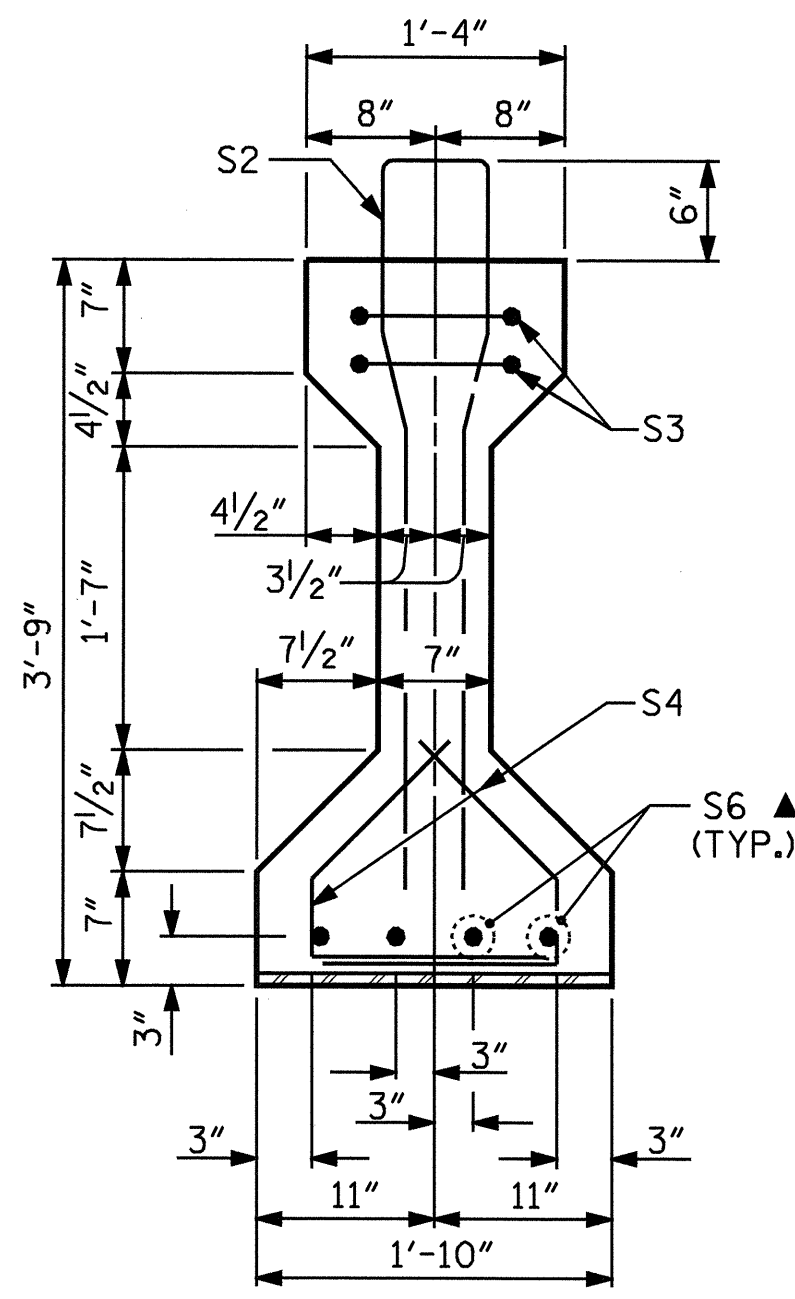
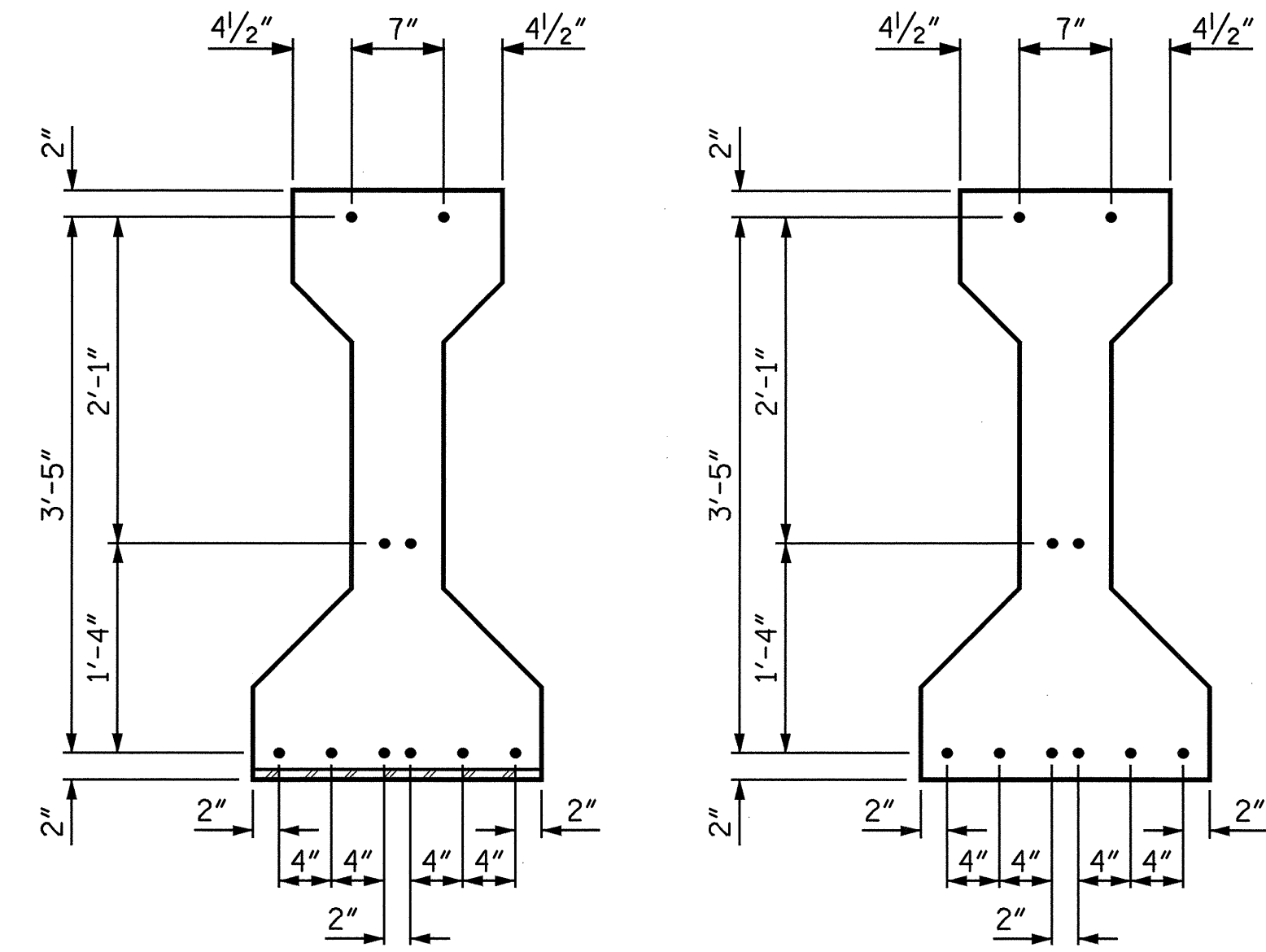


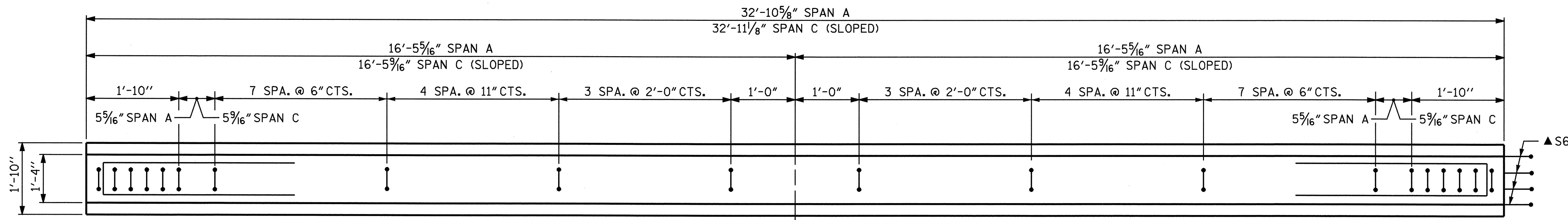
SECTION A-A



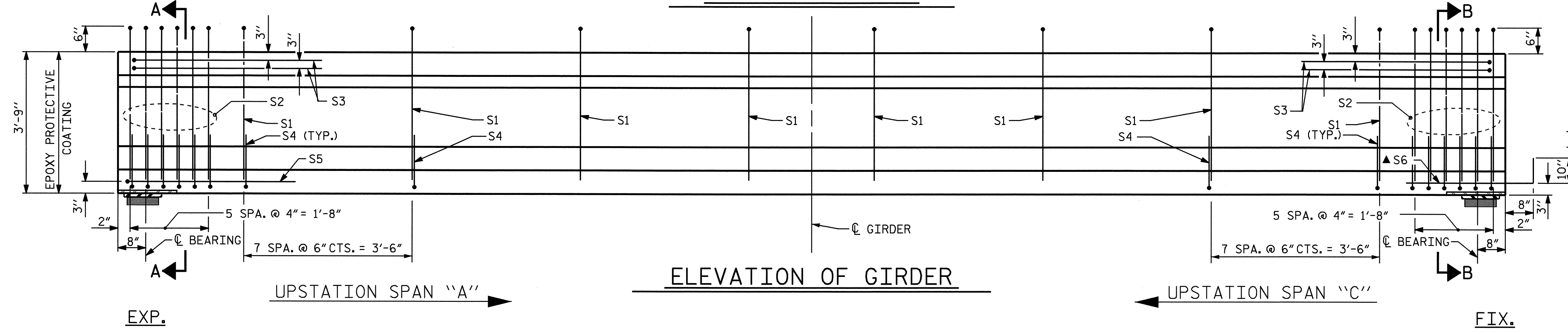
SECTION B-B



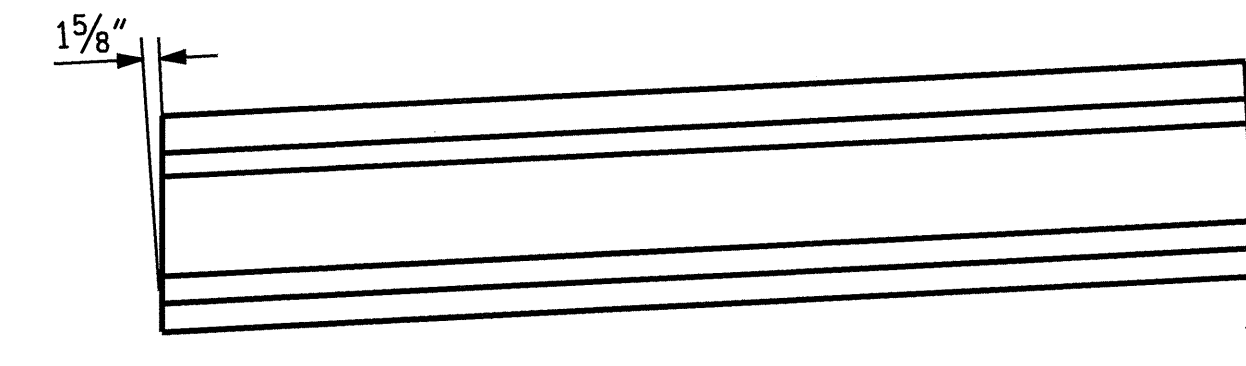
AT END OF GIRDER AT \bar{C} OF GIRDER
 $\frac{1}{2}$ " \bar{O} LOW RELAXATION STRAND LAYOUT



PLAN OF GIRDER



ELEVATION OF GIRDER



END BEVEL ON GIRDER DETAIL
SPAN A



END BEVEL ON GIRDER DETAIL
SPAN C

$\frac{1}{2}$ " \bar{O} L.R. GRADE 270 STRANDS

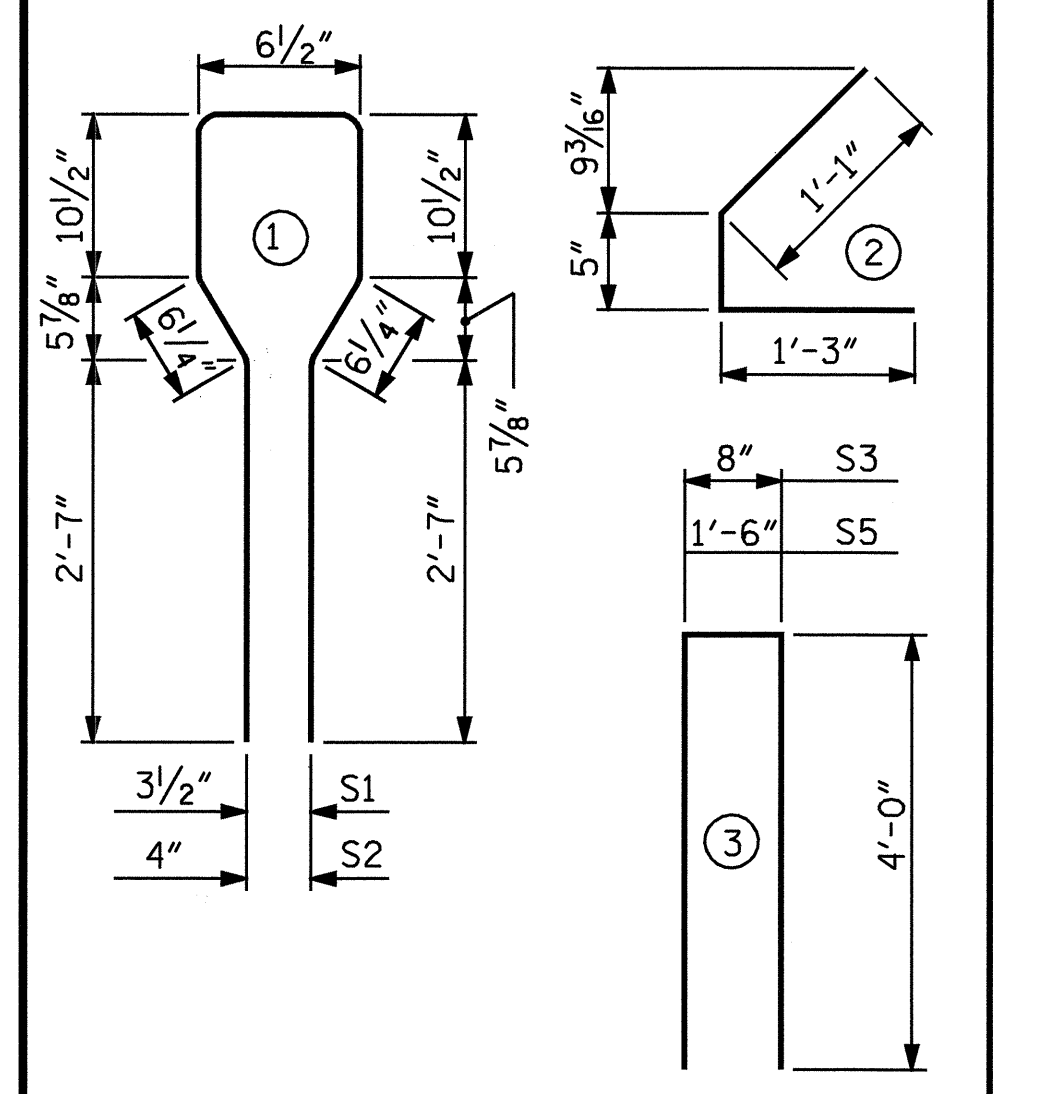
AREA (SQ. INCHES)	ULTIMATE STRENGTH (LBS. PER STRAND)	APPLIED PRESTRESS (LBS. PER STRAND)
0.153	41,300	30,980

REINFORCING STEEL FOR ONE GIRDER

BAR	NUMBER	SIZE	TYPE	LENGTH	WEIGHT
S1	30	#4	1	8'-6"	170
S2	12	#6	1	8'-6"	153
S3	4	#4	3	8'-8"	23
S4	56	#4	2	2'-9"	103
S5	1	#4	3	9'-6"	6
▲S6	4	#5	STR	3'-8"	15

▲ NOTE: S6 BARS SHALL BE BENT BEFORE SHIPMENT. HEAT BENDING SHALL NOT BE ALLOWED.

BAR TYPES
ALL BAR DIMENSIONS ARE OUT-TO-OUT



QUANTITIES FOR ONE GIRDER

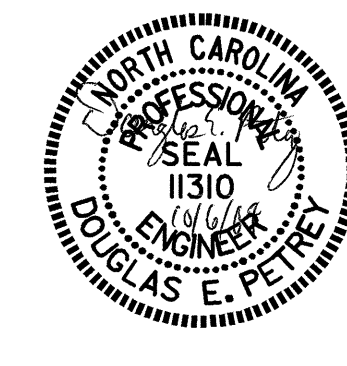
REINFORCING STEEL	5000 PSI CONCRETE	$\frac{1}{2}$ " \bar{O} L.R. STRANDS
LB.	C.Y.	No.
470	4.7	10

GIRDERS REQUIRED

NUMBER	LENGTH	TOTAL LENGTH	
SPAN A	4	32'-10 5/8"	131.54
SPAN C	4	32'-11 1/8"	131.71

PROJECT NO. B-3403
 ALLEGHANY COUNTY
 STATION: 15+17.50 -L-

STATE OF NORTH CAROLINA
 DEPARTMENT OF TRANSPORTATION
 RALEIGH
 AASHTO TYPE III
 PRESTRESSED CONCRETE GIRDER
 CONTINUOUS FOR LIVE LOAD
 SPANS "A" & "C"



ASSEMBLED BY : M. ALLEN	DATE : 11/03	CADD STANDARD
CHECKED BY : B.N. GRADY	DATE : 12/03	
DRAWN BY : RB 2/97	REV. 8/16/99 ARB/LES	
CHECKED BY : VP 2/97		

REVISIONS						SHEET NO.
NO.	BY	DATE	NO.	BY	DATE	S-10
1			3			TOTAL SHEETS 34
2			4			