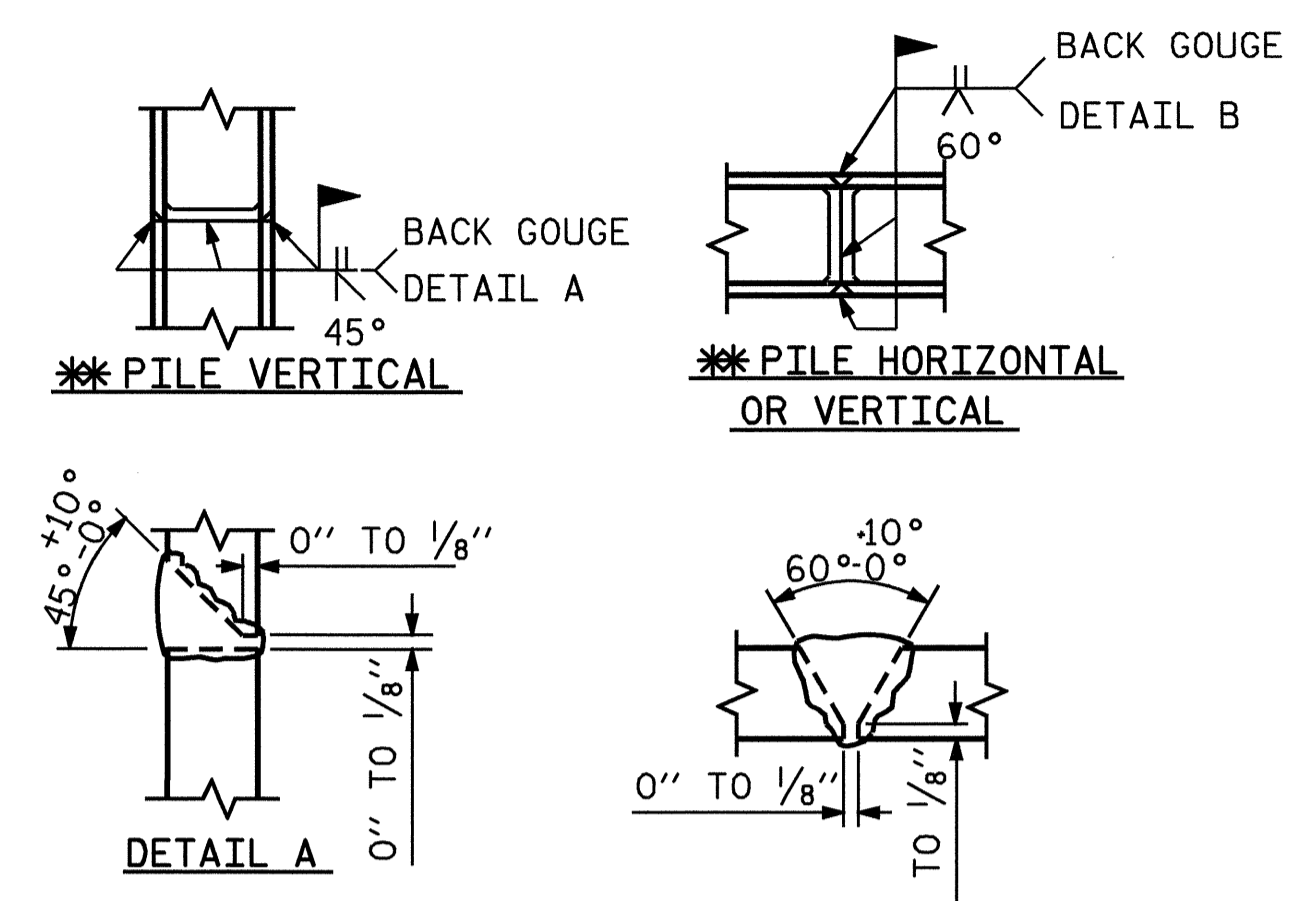


BAGGED STONE AND PIPE SHALL BE PLACED IMMEDIATELY AFTER COMPLETION OF END BENT EXCAVATION. PIPE MAY BE EITHER CONCRETE, CORRUGATED STEEL, CORRUGATED ALUMINUM ALLOY, OR CORRUGATED PLASTIC. PERFORATED PIPE WILL NOT BE ALLOWED.

BAGGED STONE SHALL REMAIN IN PLACE UNTIL THE ENGINEER DIRECTS THAT IT BE REMOVED. THE CONTRACTOR SHALL REMOVE AND DISPOSE OF SILT ACCUMULATIONS AT BAGGED STONE WHEN SO DIRECTED BY THE ENGINEER. BAGS SHALL BE REMOVED AND REPLACED WHENEVER THE ENGINEER DETERMINES THAT THEY HAVE DETERIORATED AND LOST THEIR EFFECTIVENESS.

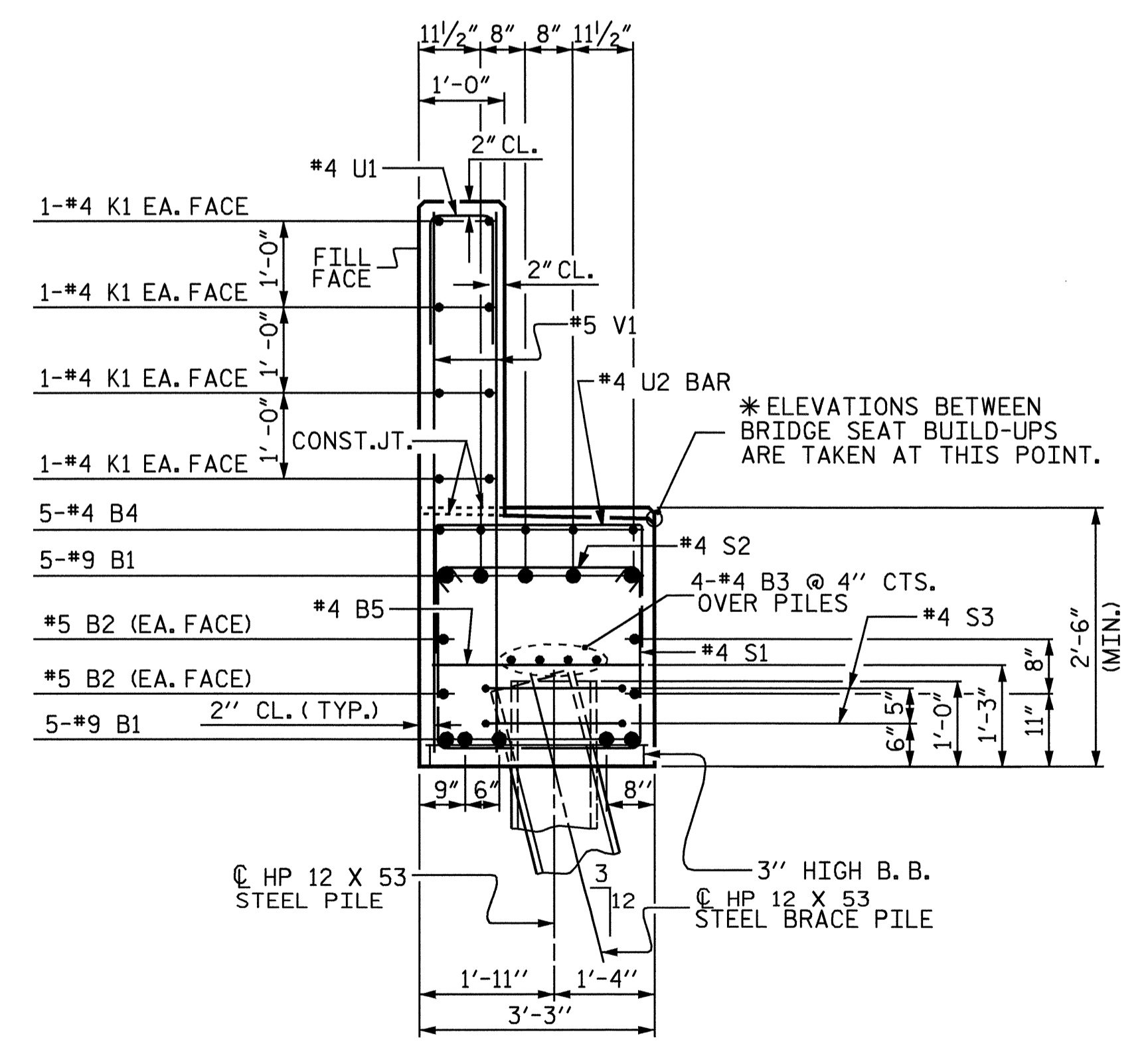
NO SEPARATE PAYMENT WILL BE MADE FOR THIS WORK AND THE ENTIRE COST OF THIS WORK SHALL BE INCLUDED IN THE UNIT CONTRACT PRICE BID FOR THE SEVERAL PAY ITEMS.

**TEMPORARY DRAINAGE AT END BENT**



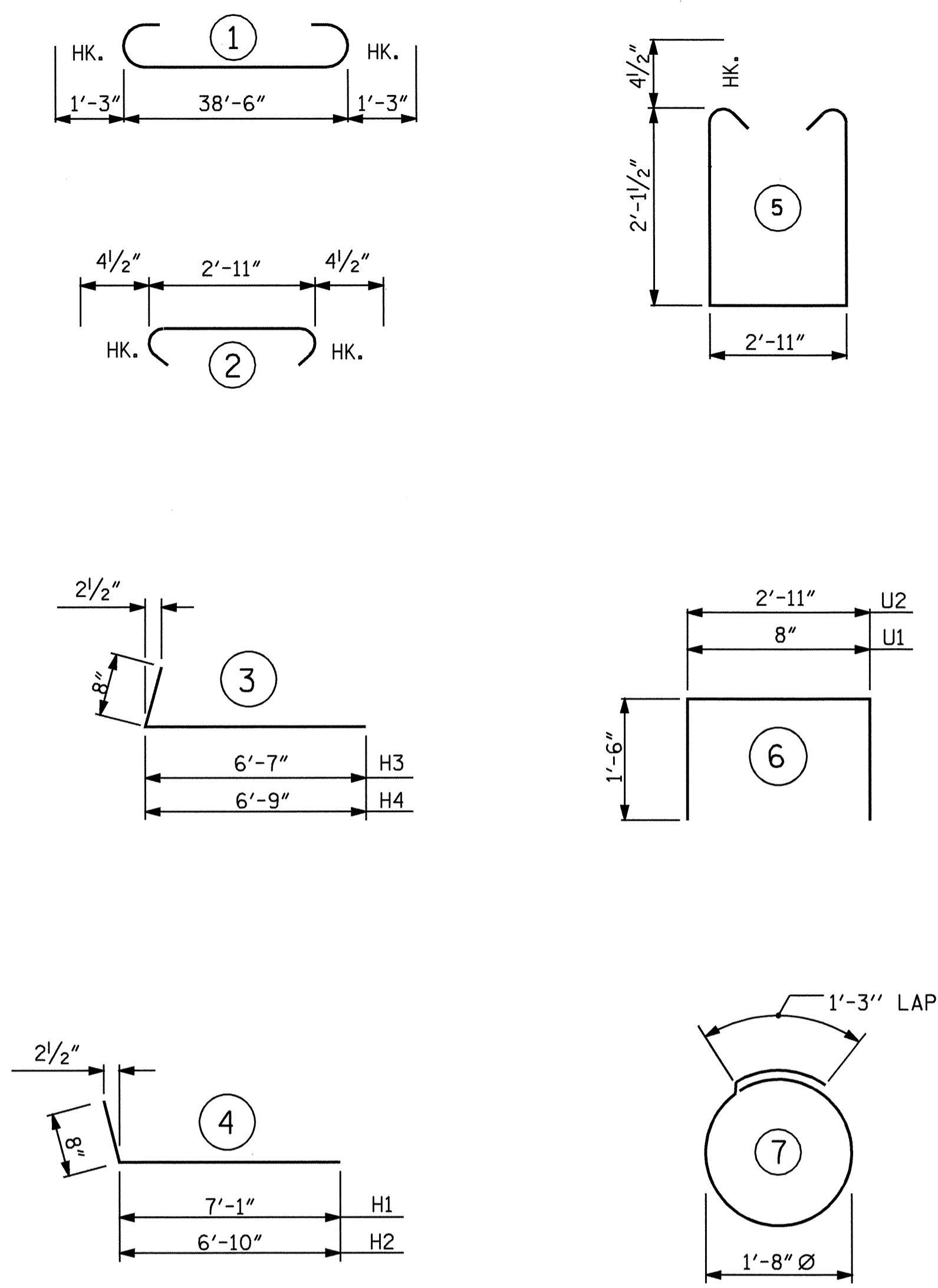
\*\* POSITION OF PILE DURING WELDING. DETAIL B

**PILE SPLICE DETAILS**



**SECTION A-A**

**BAR TYPES**



ALL BAR DIMENSIONS ARE OUT TO OUT.

**BILL OF MATERIAL**  
**END BENT NO. 2**

BAR NO.	NO.	SIZE	TYPE	LENGTH	WEIGHT
B1	10	9	1	41'-0"	1394
B2	4	5	STR	38'-8"	161
B3	8	4	STR	20'-7"	110
B4	5	4	STR	23'-6"	78
B5	10	4	STR	2'-11"	19
H1	9	4	4	7'-9"	47
H2	9	4	4	7'-6"	45
H3	9	4	3	7'-3"	44
H4	9	4	3	7'-5"	45
K1	16	4	STR	20'-7"	220
K2	8	4	STR	2'-7"	14
S1	37	4	5	7'-11"	196
S2	37	4	2	3'-8"	91
S3	12	4	7	6'-6"	52
U1	33	4	6	3'-8"	81
U2	16	4	6	5'-11"	63
V1	66	5	STR	6'-1"	419
V2	23	4	STR	7'-3"	111
V3	24	4	STR	7'-9"	124
REINFORCING STEEL				LBS.	3314

**CLASS A CONCRETE BREAKDOWN :**

POUR #	DESCRIPTION	C. Y.
POUR #1	(CAP & LOWER WINGS)	14.4 C. Y.
POUR #2	(UPPER WINGS & BACKWALL)	6.9 C. Y.
TOTAL		21.3 C. Y.

STEEL PILE POINTS No. 6

HP 12 X 53 STEEL PILES

NO. 6 LIN. FT. 90

PROJECT NO. B-3403

ALLEGHANY COUNTY

STATION: 15+17.50 -L-

SHEET 3 OF 3

STATE OF NORTH CAROLINA  
DEPARTMENT OF TRANSPORTATION  
RALEIGH

SUBSTRUCTURE  
END BENT No. 2



REVISIONS						SHEET NO.	
NO.	BY	DATE	NO.	BY	DATE	S-27	
1			3			TOTAL SHEETS	34
2			4				

DRAWN BY : R. G. EMERSON DATE : 02/04

CHECKED BY : A. R. CHESSON DATE : 03/04