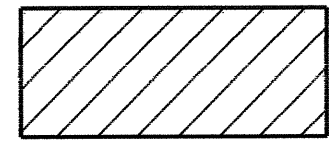
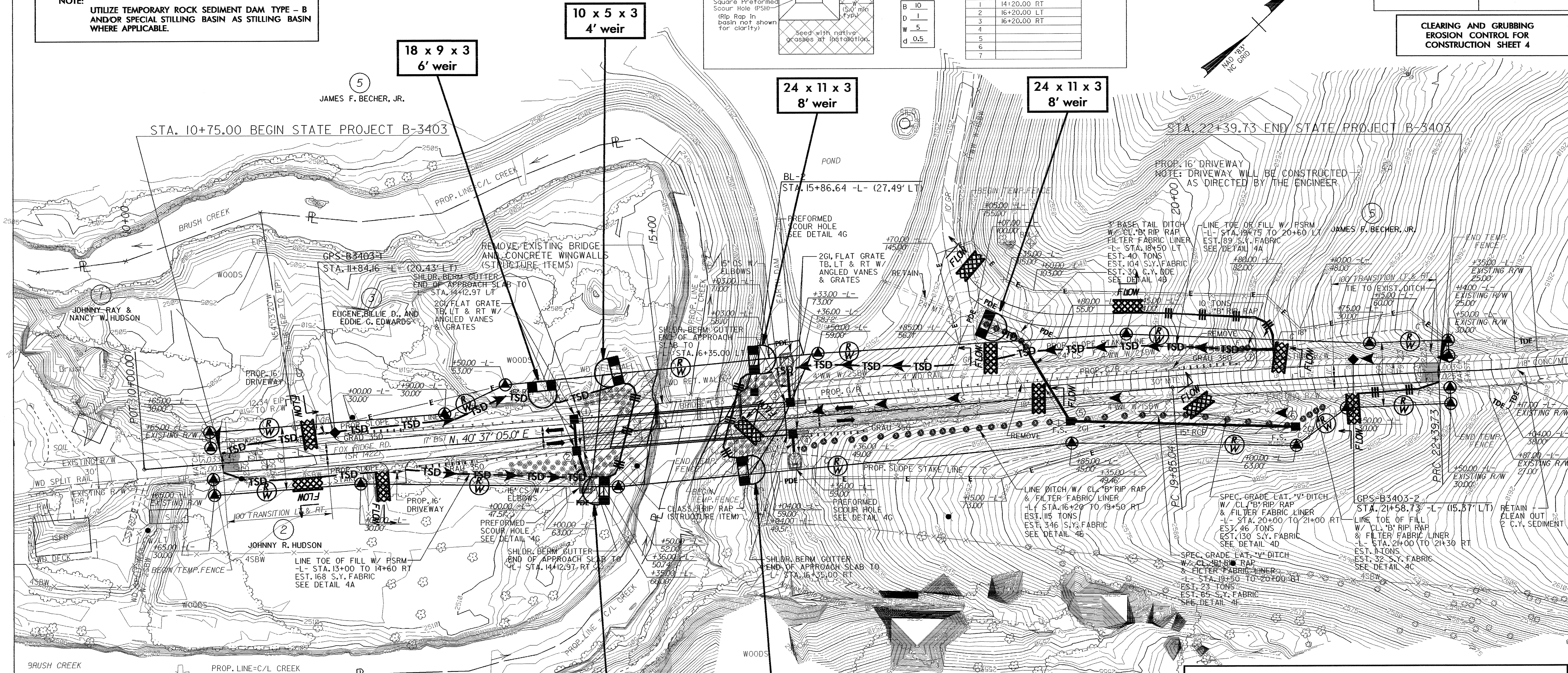
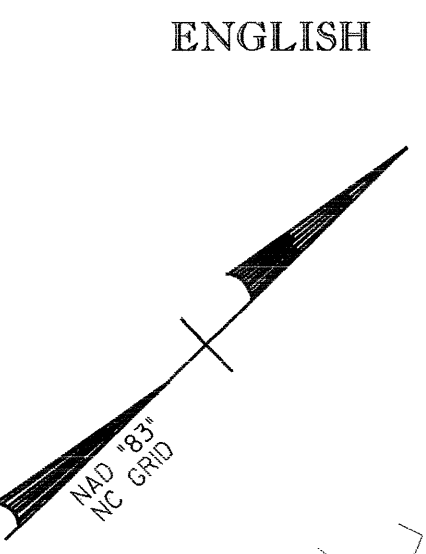
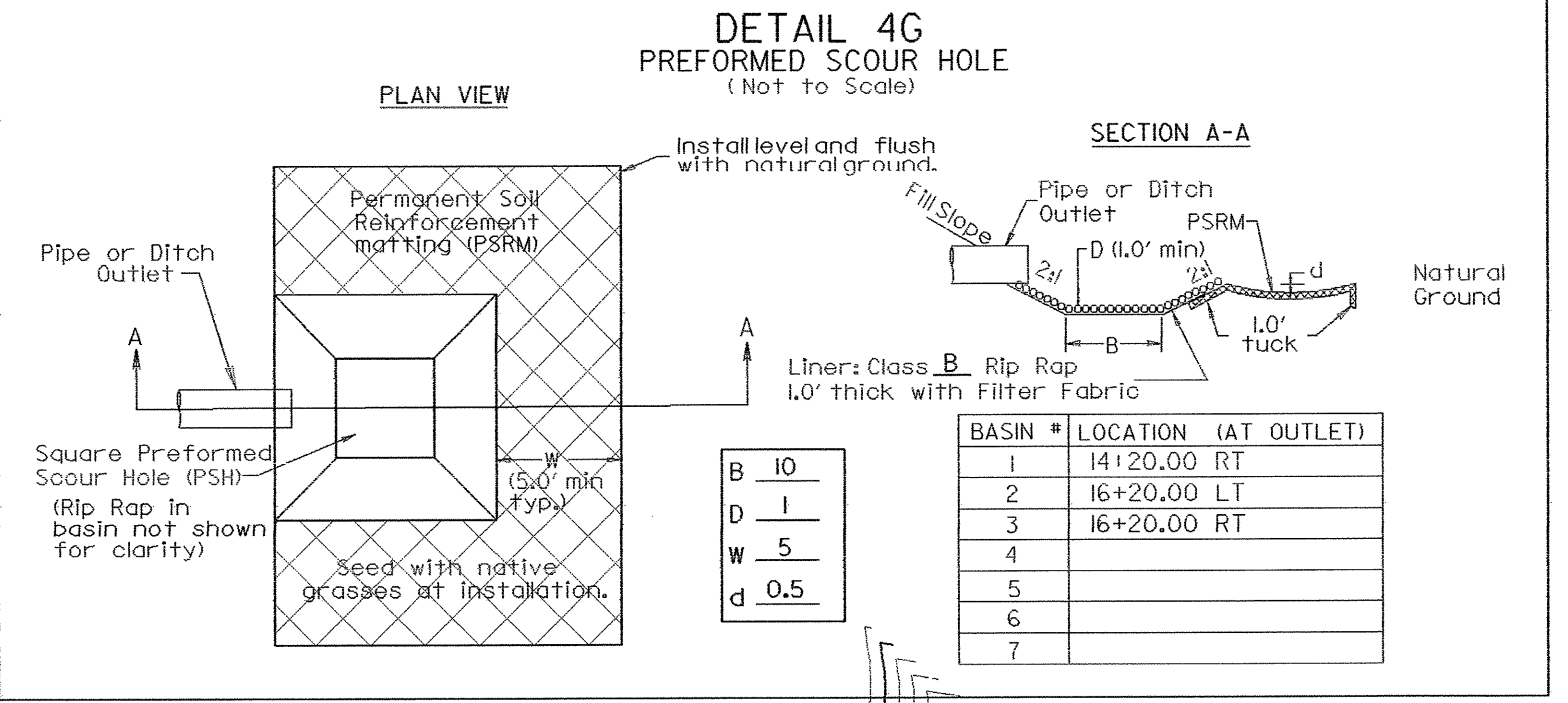


CLEARING AND GRUBBING EROSION CONTROL FOR CONSTRUCTION SHEET 4

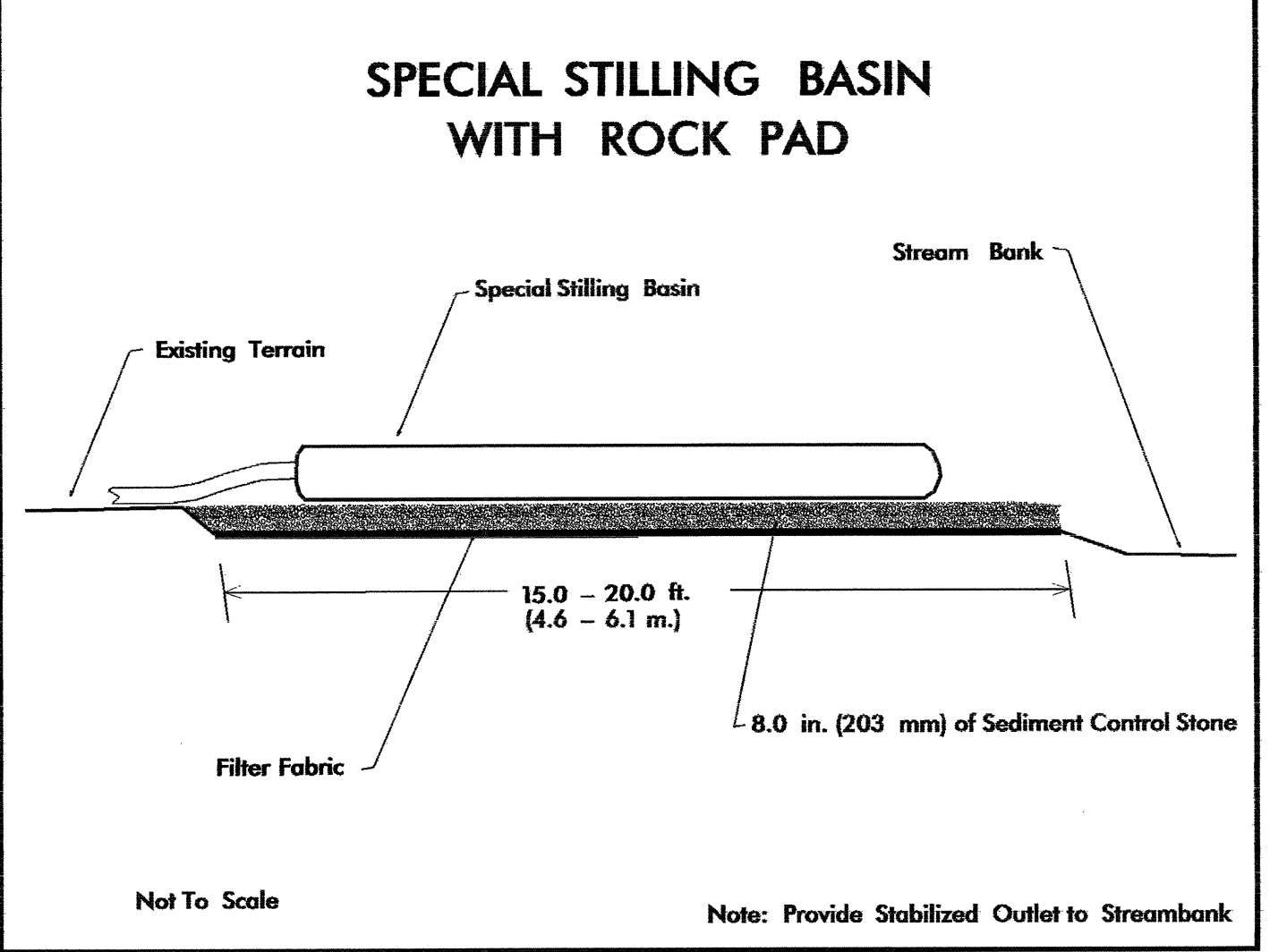
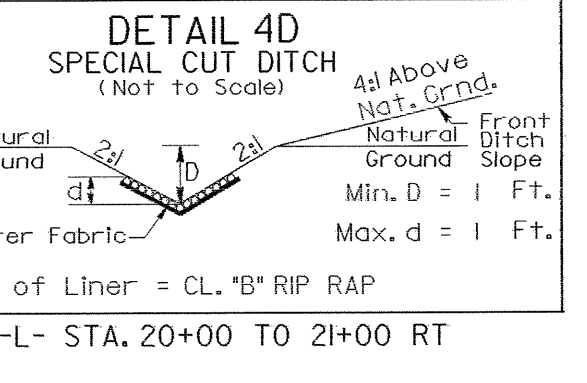
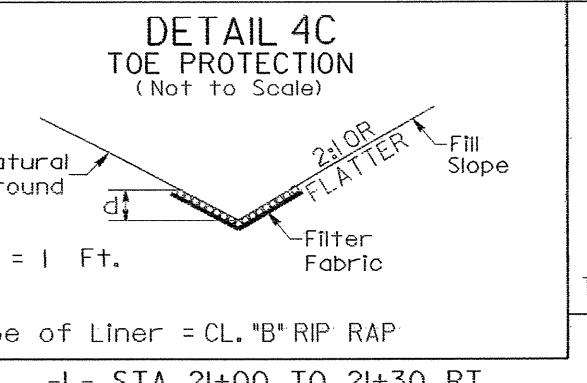
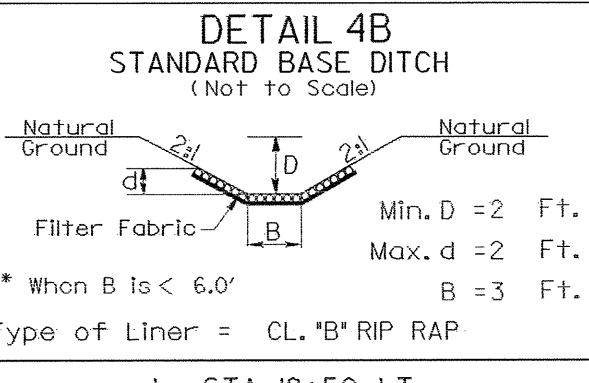
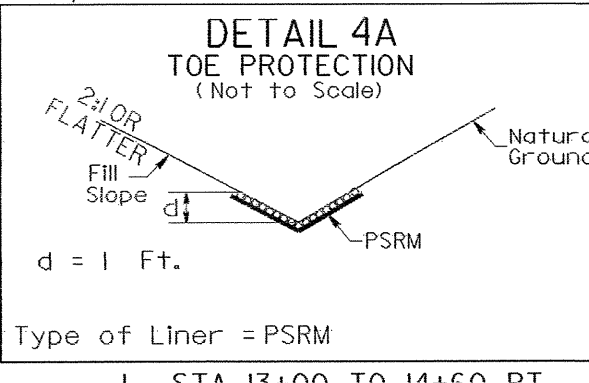
 ENVIRONMENTALLY SENSITIVE AREA SEE PROJECT SPECIAL PROVISIONS

NOTE: UTILIZE TEMPORARY ROCK SEDIMENT DAM TYPE - B AND/OR SPECIAL STILLING BASIN AS STILLING BASIN WHERE APPLICABLE.

NOTE: PLACE TEMPORARY ROCK SEDIMENT DAMS TYPE- B AND TEMPORARY ROCK SILT CHECKS TYPE-A AT DRAINAGE OUTLETS.



**DATUM DESCRIPTION**  
 THE LOCALIZED COORDINATE SYSTEM DEVELOPED FOR THIS PROJECT IS BASED ON THE STATE PLANE COORDINATES ESTABLISHED BY NCGS FOR MONUMENT "SALMON" WITH NAD 83 STATE PLANE GRID COORDINATES OF NORTHING: 1025541023(F1) EASTING: 1408379739(F1) THE AVERAGE COMBINED GRID FACTOR USED ON THIS PROJECT (GROUND TO GRID) IS: 0.999997490 THE N.C. LAMBERT GRID BEARING LOCALIZED HORIZONTAL GROUND DISTANCE FROM "SALMON" TO L- STATION 10+00.00 IS S 0° 12' 51.8" E 1325095.11 ALL LINEAR DIMENSIONS ARE LOCALIZED HORIZONTAL DISTANCES VERTICAL DATUM USED IS NGVD 29



ARCADIS CAN  
 DATE: 04/18/2018  
 TIME: 9:15 AM  
 FILENAME: HFILES