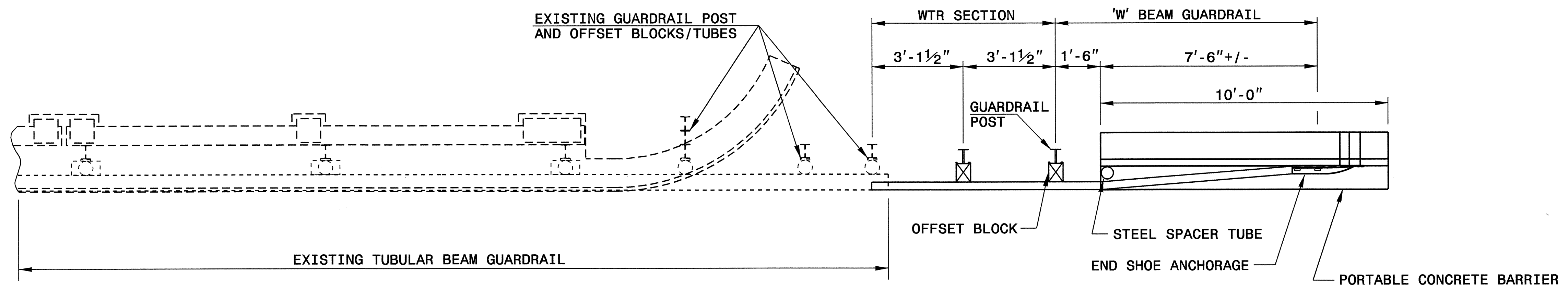


ELEVATION VIEW



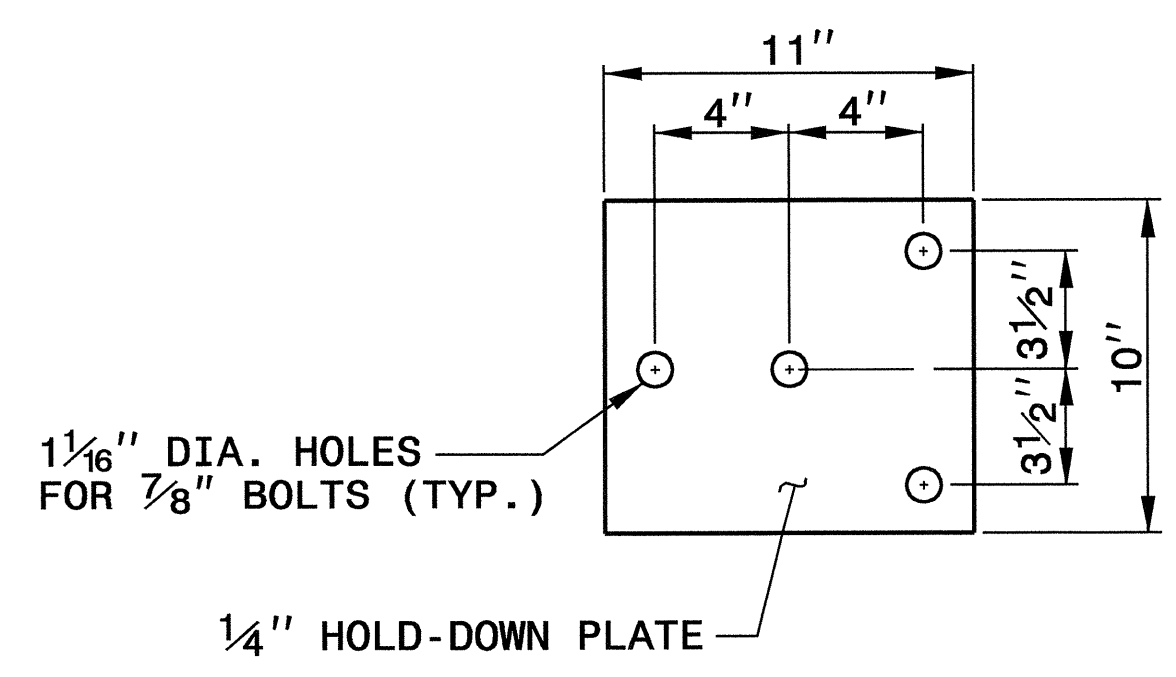
PLAN VIEW

NOTES FOR 4 BOLT HOLD DOWN PLATE

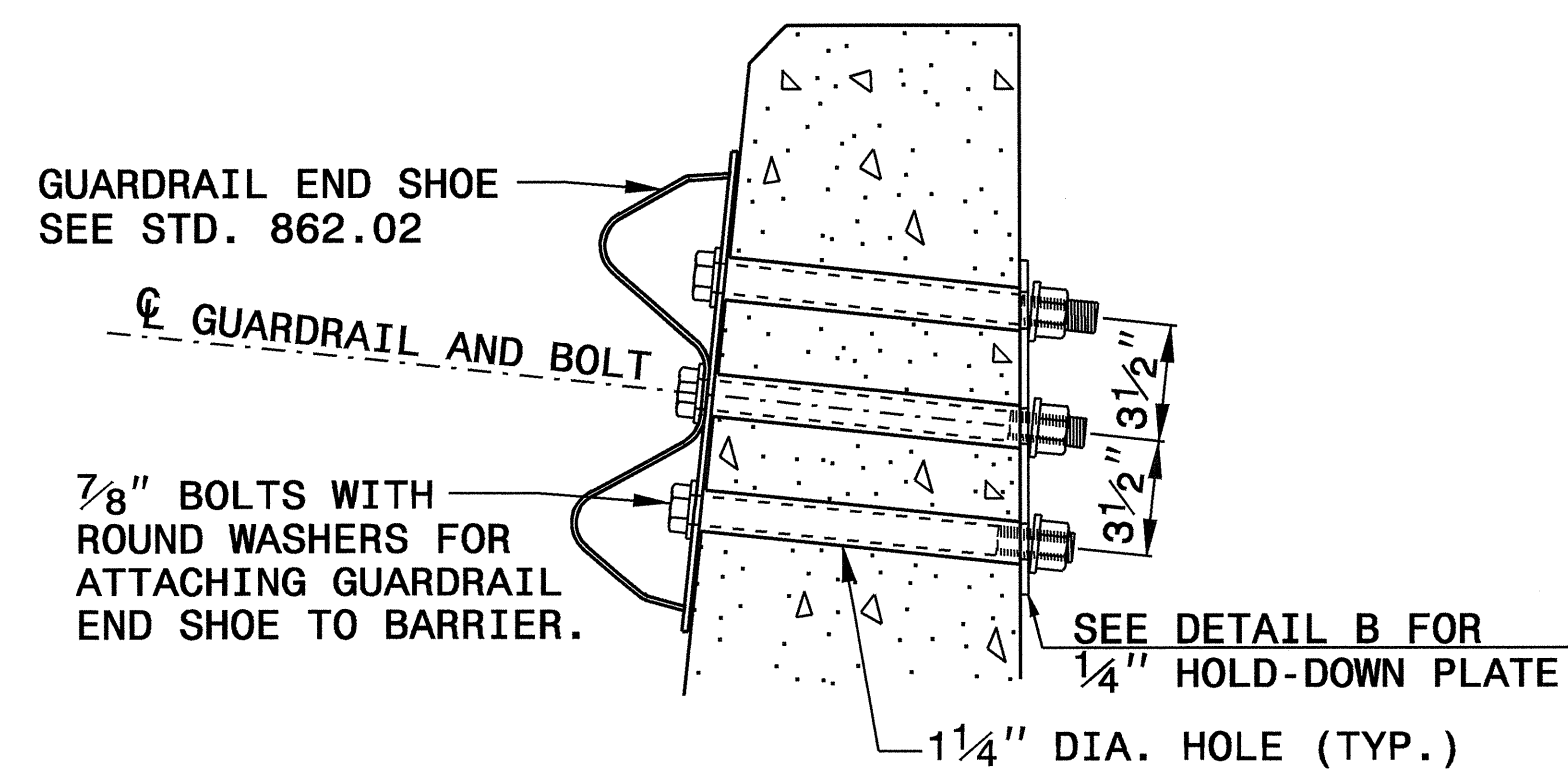
THE GUARDRAIL ANCHOR ASSEMBLY SHALL CONSIST OF A 1/4" HOLD DOWN PLATE AND 4 - 7/8" DIA. BOLTS WITH NUTS AND WASHERS.

THE HOLD-DOWN PLATE SHALL CONFORM TO AASHTO M270 GRADE 36. AFTER FABRICATION, THE HOLD-DOWN PLATE SHALL BE HOT-DIP GALVANIZED IN ACCORDANCE WITH AASHTO M111.

AFTER INSTALLATION, THE EXPOSED THREAD OF THE BOLT SHALL BE BURRED WITH A SHARP POINTED TOOL. DRILL 1 1/4" DIA. HOLES WITH A CORE BIT. IMPACT TOOLS WILL NOT BE PERMITTED. ANY CONCRETE DAMAGED BY THIS WORK SHALL BE REPAIRED TO THE SATISFACTION OF THE ENGINEER.



4 BOLT HOLD DOWN PLATE



PART SECTION OF BARRIER OR RAIL THRU END SHOE SECTION AND 4 BOLT HOLD DOWN PLATE

NORTH CAROLINA PROFESSIONAL SEAL 022966 ENGINEER JOEL S. HOWER 9/10/04

DESIGN SERVICES UNIT STANDARDS AND SPECIAL DESIGN	
Office 919-250-4128	FAX 919-250-4119
TEMPORARY ANCHOR UNIT CONECTING TUBULAR BEAM GUARDRAIL TO PORTABLE CONCRETE BARRIER	
ORIGINAL BY: E.E. WARD	DATE: 9-9-04
MODIFIED BY: <i>Paul S. Hunt</i>	DATE: 7/04
CHECKED BY: <i>Paul S. Hunt</i>	DATE: 7/04
FILE SPEC.: <i>usr\details\stand\862stds\anc.dgn</i>	

09-SEP-2004 09:52:11 usr\details\stand\862stds\anc.dgn ericward