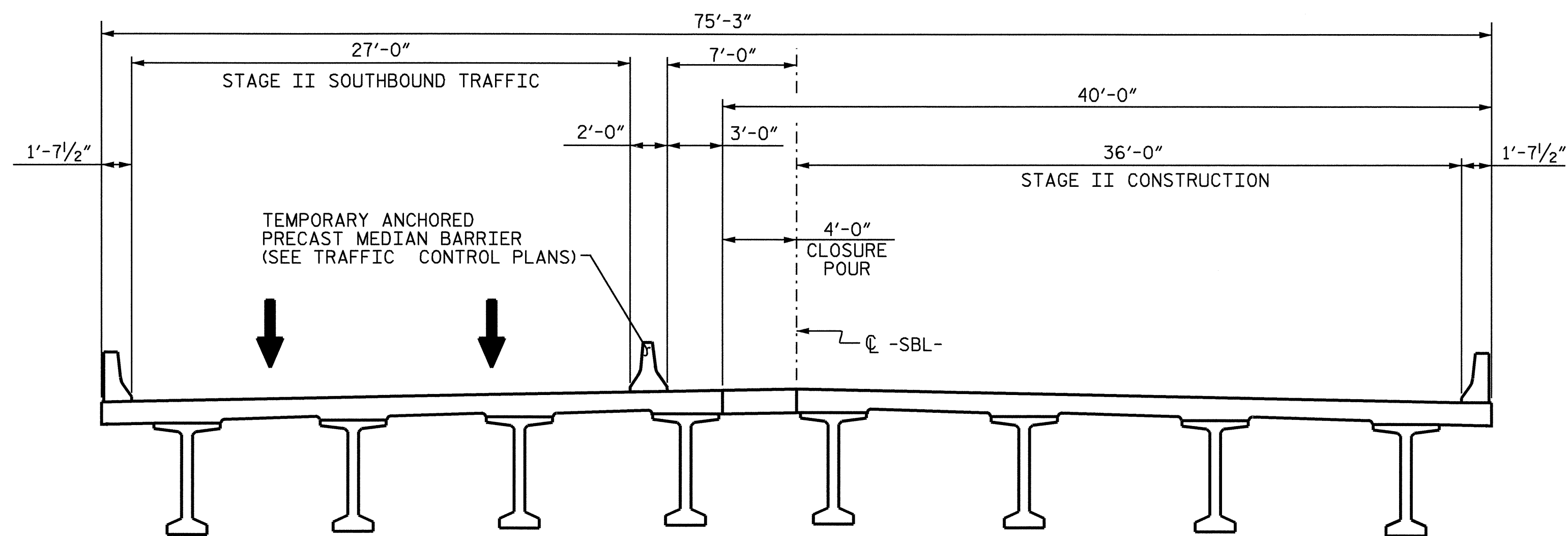
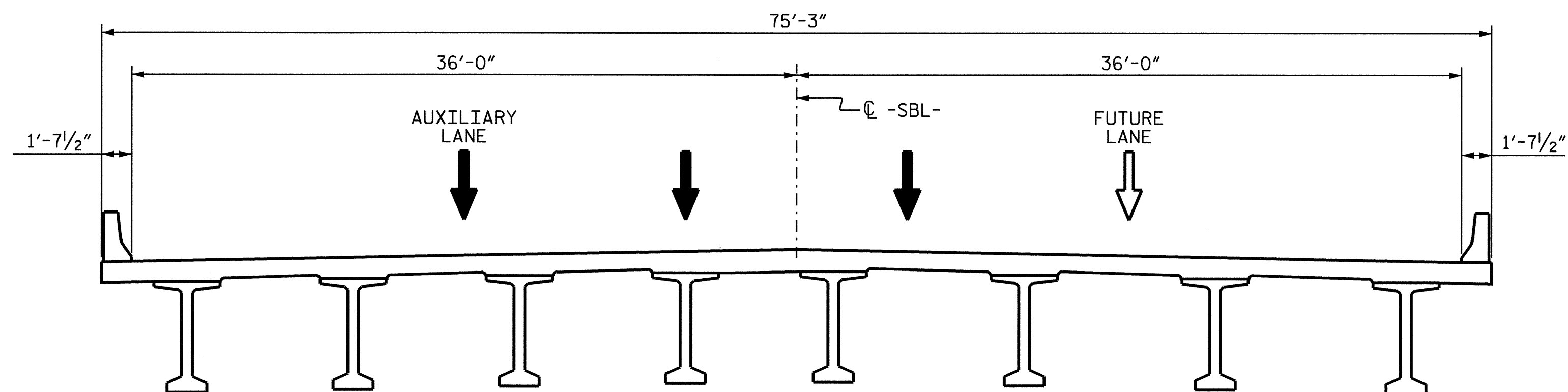


STAGE I CONSTRUCTION



NOTE: THIS SKETCH DEPICTS THE CROSS SECTION OF SPANS A THROUGH E. STAGE II CONSTRUCTION OF SPANS F AND G REQUIRES FIVE GIRDERS INSTEAD OF FOUR AS DEPICTED HERE.

STAGE II CONSTRUCTION



NOTE: THIS SKETCH DEPICTS THE CROSS SECTION OF SPANS A THROUGH E. STAGE II CONSTRUCTION OF SPANS F AND G REQUIRES FIVE GIRDERS INSTEAD OF FOUR AS DEPICTED HERE.

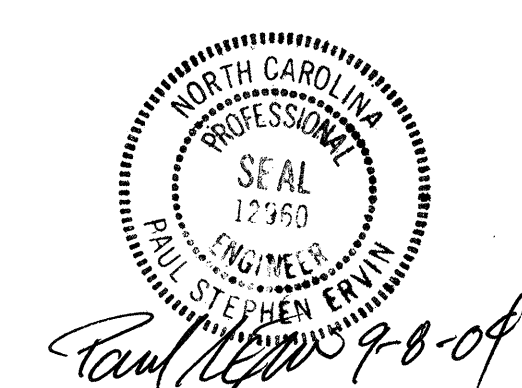
FINAL

PROJECT NO. I-4025A
YADKIN - SURRY COUNTY
 STATION: 28+95.00 -SBL-

STATE OF NORTH CAROLINA
 DEPARTMENT OF TRANSPORTATION
 RALEIGH

CONSTRUCTION SEQUENCE

REVISIONS						SHEET NO.
NO.	BY:	DATE:	NO.	BY:	DATE:	TOTAL SHEETS
1			3			5-10
2			4			78



DRAWN BY : N. Q. TRAN DATE : 6-2000
 CHECKED BY : P. S. ERVIN DATE : 6-16-04