

DEBONDING LEGEND

- FULLY BONDED STRANDS
- ◻ STRANDS DEBONDED FOR 2'-0" FROM END OF GIRDER
- STRANDS DEBONDED FOR 4'-0" FROM END OF GIRDER
- ▲ OPTIONAL SLACK STRAND WITH APPLIED PRESTRESS OF 4500 LBS. PER STRAND

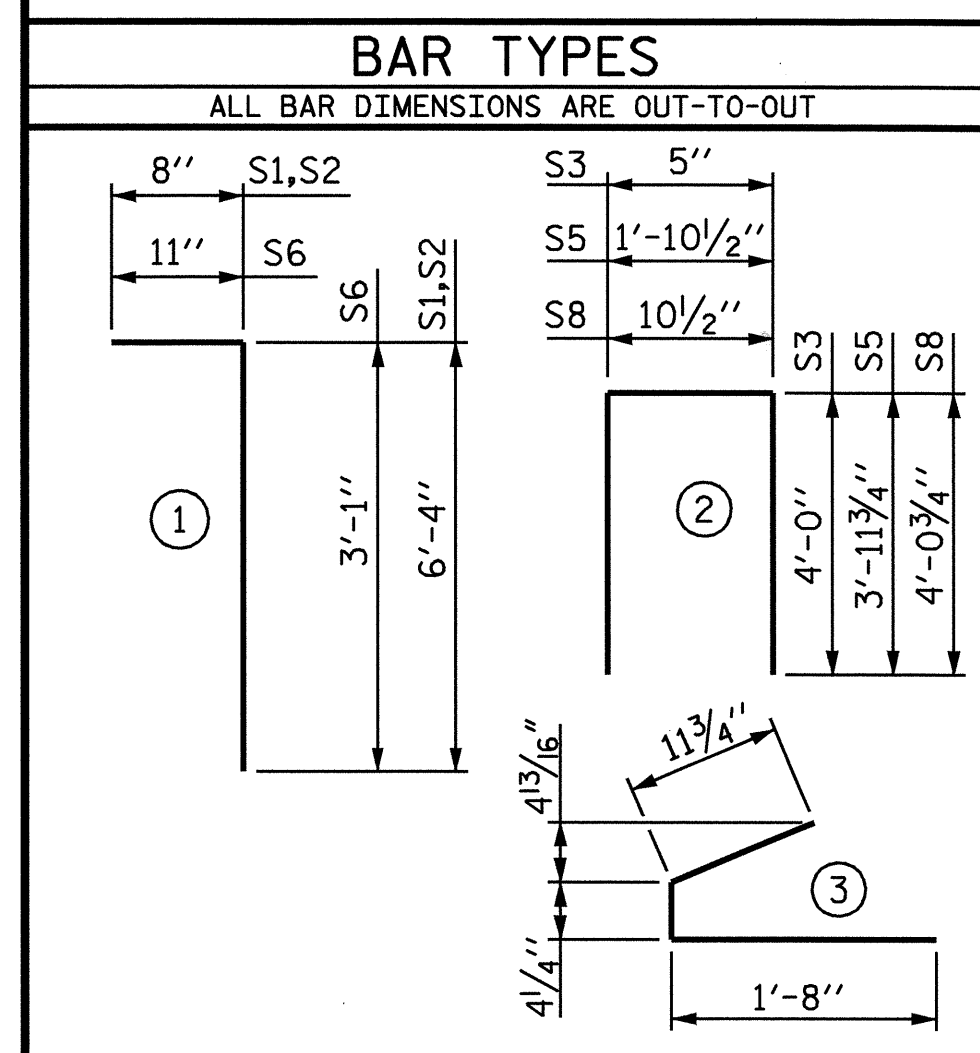
0.6" Ø L.R. GRADE 270 STRANDS

AREA (SQ. INCHES)	ULTIMATE STRENGTH (LBS. PER STRAND)	APPLIED PRESTRESS (LBS. PER STRAND)
0.217	58,600	43,950

REINFORCING STEEL FOR ONE GIRDER

BAR	NUMBER	SIZE	TYPE	LENGTH	WEIGHT
S1	192	#4	1	7'-0"	898
S2	24	#5	1	7'-0"	175
S3	14	#4	2	8'-5"	79
S4	96	#4	3	3'-0"	192
S5	1	#5	2	9'-10"	10
S6	216	#5	1	4'-0"	901
*S7	10	#5	STR	3'-8"	38
S8	2	#5	2	9'-0"	19
S9	47	#5	STR	3'-3"	159
S10	1	#3	STR	1'-10"	1

* NOTE: S7 BARS SHALL BE BENT BEFORE SHIPMENT. HEAT BENDING SHALL NOT BE ALLOWED.

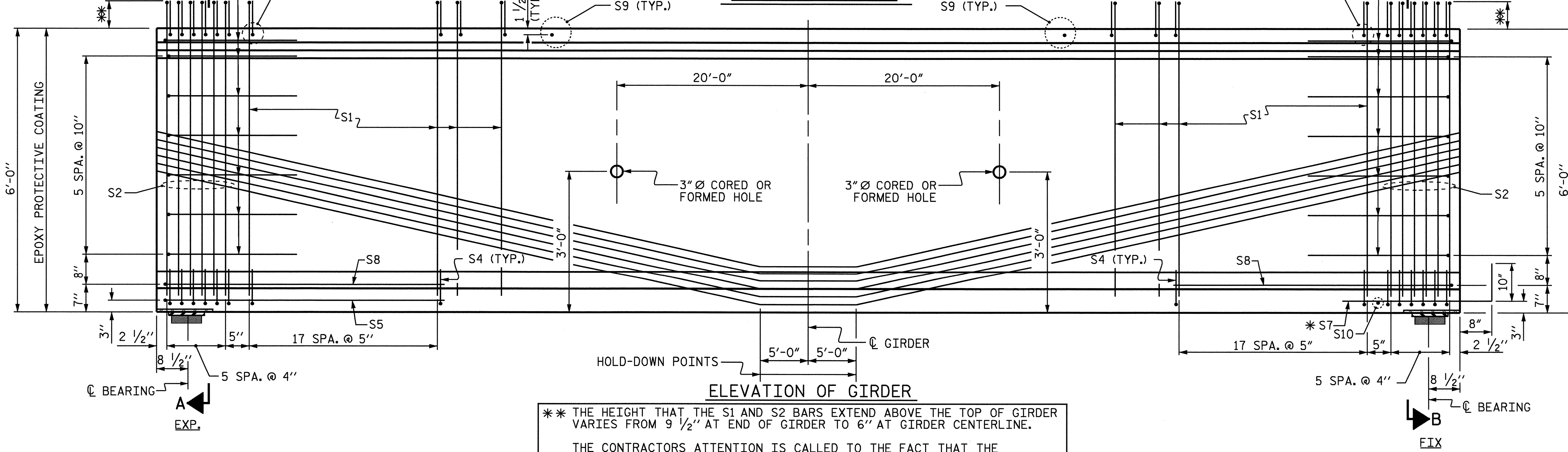
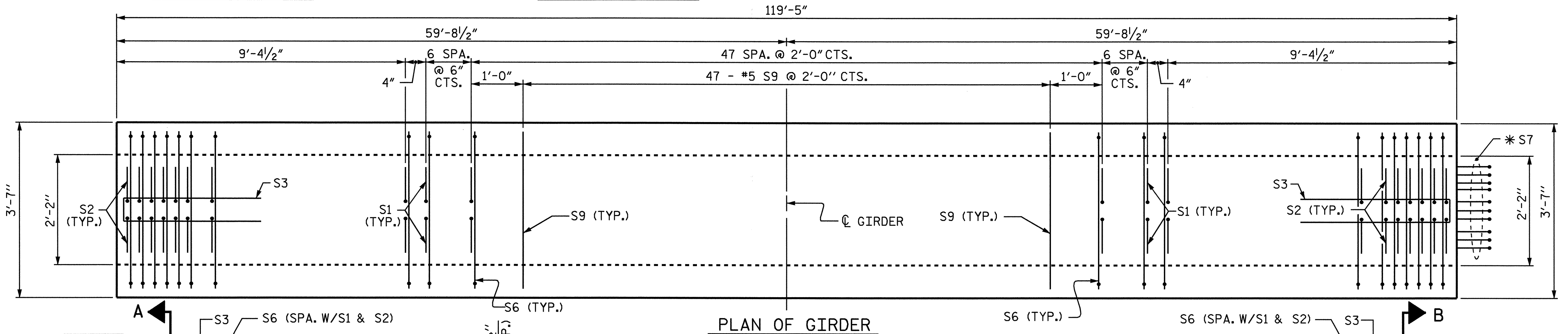


QUANTITIES FOR ONE GIRDER

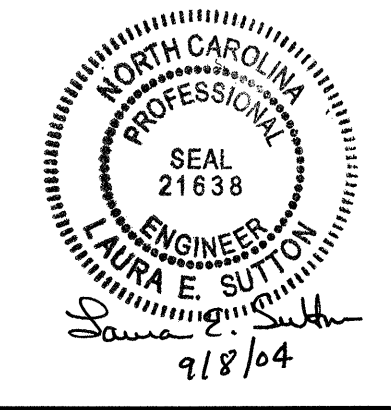
	REINFORCING STEEL	8,500 PSI CONCRETE	0.6" Ø L.R. STRANDS
	LB.	C.Y.	No.
	2472	25.6	42

GIRDERS REQUIRED

NUMBER	LENGTH	TOTAL LENGTH
12	119'-5"	1433'-0"



** THE HEIGHT THAT THE S1 AND S2 BARS EXTEND ABOVE THE TOP OF GIRDER VARIES FROM 9 1/2" AT END OF GIRDER TO 6" AT GIRDER CENTERLINE.
THE CONTRACTORS ATTENTION IS CALLED TO THE FACT THAT THE CONCRETE STRENGTH REQUIRED IS 8500 PSI.
THE UPLIFT FORCE DUE TO DRAPED STRANDS IS 27.0 KIPS.



PROJECT NO. I-4025A
YADKIN-SURRY COUNTY
STATION: 28+95.00 -SBL-

STATE OF NORTH CAROLINA
DEPARTMENT OF TRANSPORTATION
RALEIGH

72" PRESTRESSED CONCRETE
MODIFIED BULB TEE
CONTINUOUS FOR LIVE LOAD

SPANS B, C, & E
STAGE II

REVISIONS

NO.	BY:	DATE:	NO.	BY:	DATE:
1			3		
2			4		

SHEET NO.
S-25
TOTAL SHEETS
78

EDITED BY : T.A. WALTER
CHECKED BY : M.A. ALLEN
DATE : 5/11/04
DATE : 7/9/04

18-AUG-2004 09:10
w:\Squad_14025A\walter\I4025A_SD.PG.dgn
walter