

DEBONDING LEGEND

- FULLY BONDED STRANDS
- ◻ STRANDS DEBONDED FOR 2'-0" FROM END OF GIRDER
- STRANDS DEBONDED FOR 4'-0" FROM END OF GIRDER
- ▲ OPTIONAL SLACK STRAND WITH APPLIED PRESTRESS OF 4500 LBS. PER STRAND

0.6" Ø L.R GRADE 270 STRANDS

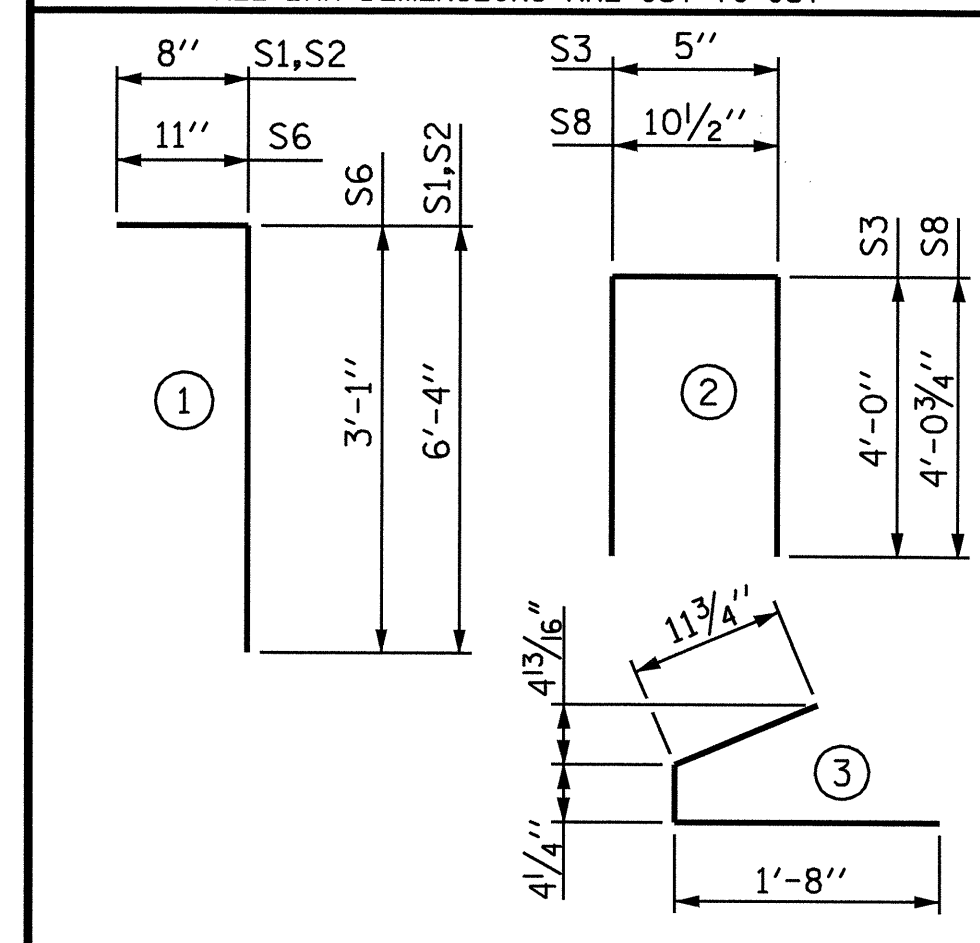
AREA (SQ. INCHES)	ULTIMATE STRENGTH (LBS. PER STRAND)	APPLIED PRESTRESS (LBS. PER STRAND)
0.217	58,600	43,950

REINFORCING STEEL FOR ONE GIRDER

BAR	NUMBER	SIZE	TYPE	LENGTH	WEIGHT
S1	172	#4	1	7'-0"	804
S2	24	#5	1	7'-0"	175
S3	14	#4	2	8'-5"	79
S4	84	#4	3	3'-0"	168
S6	196	#5	1	4'-0"	818
*S7	20	#5	STR	3'-8"	76
S8	2	#5	2	9'-0"	19
S9	45	#5	STR	3'-3"	153
S10	2	#3	STR	1'-10"	1

* NOTE: S7 BARS SHALL BE BENT BEFORE SHIPMENT. HEAT BENDING SHALL NOT BE ALLOWED.

BAR TYPES
ALL BAR DIMENSIONS ARE OUT-TO-OUT



QUANTITIES FOR ONE GIRDER

REINFORCING STEEL	8,000 PSI CONCRETE	0.6" Ø L.R. STRANDS
LB.	C.Y.	No.
2293	24.5	36

GIRDERS REQUIRED

NUMBER	LENGTH	TOTAL LENGTH
4	114'-2"	456'-8"

PROJECT NO. I-4025A
YADKIN-SURRY COUNTY
 STATION: 28+95.00 -SBL-

STATE OF NORTH CAROLINA
 DEPARTMENT OF TRANSPORTATION
 RALEIGH

72" PRESTRESSED CONCRETE
 MODIFIED BULB TEE
 CONTINUOUS FOR LIVE LOAD

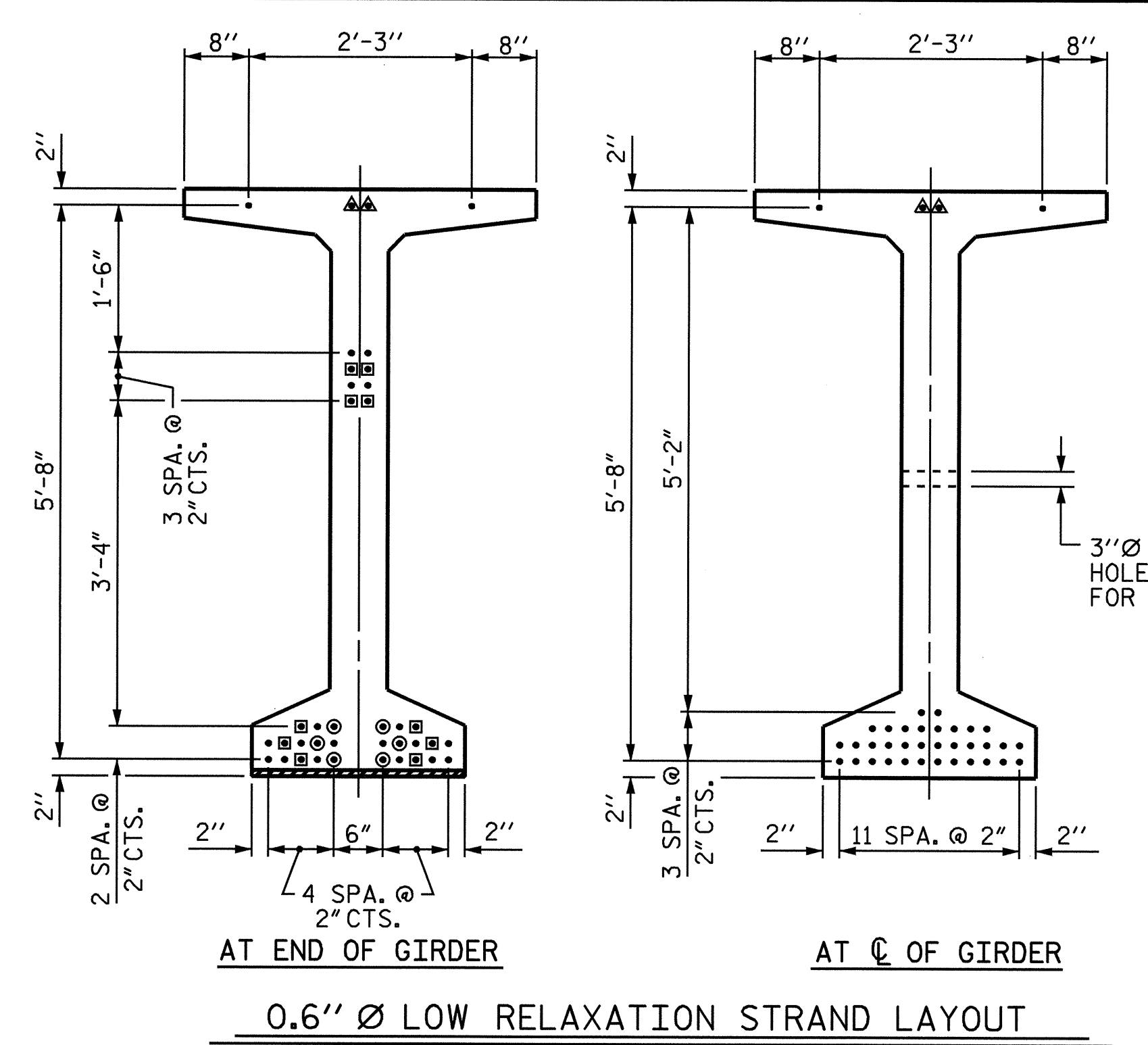
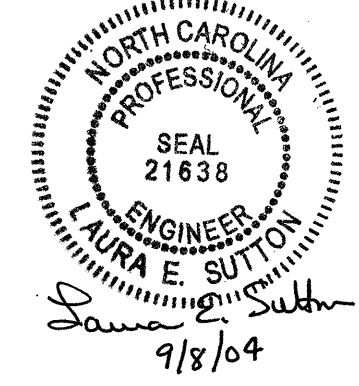
SPAN D
 STAGE I

REVISIONS

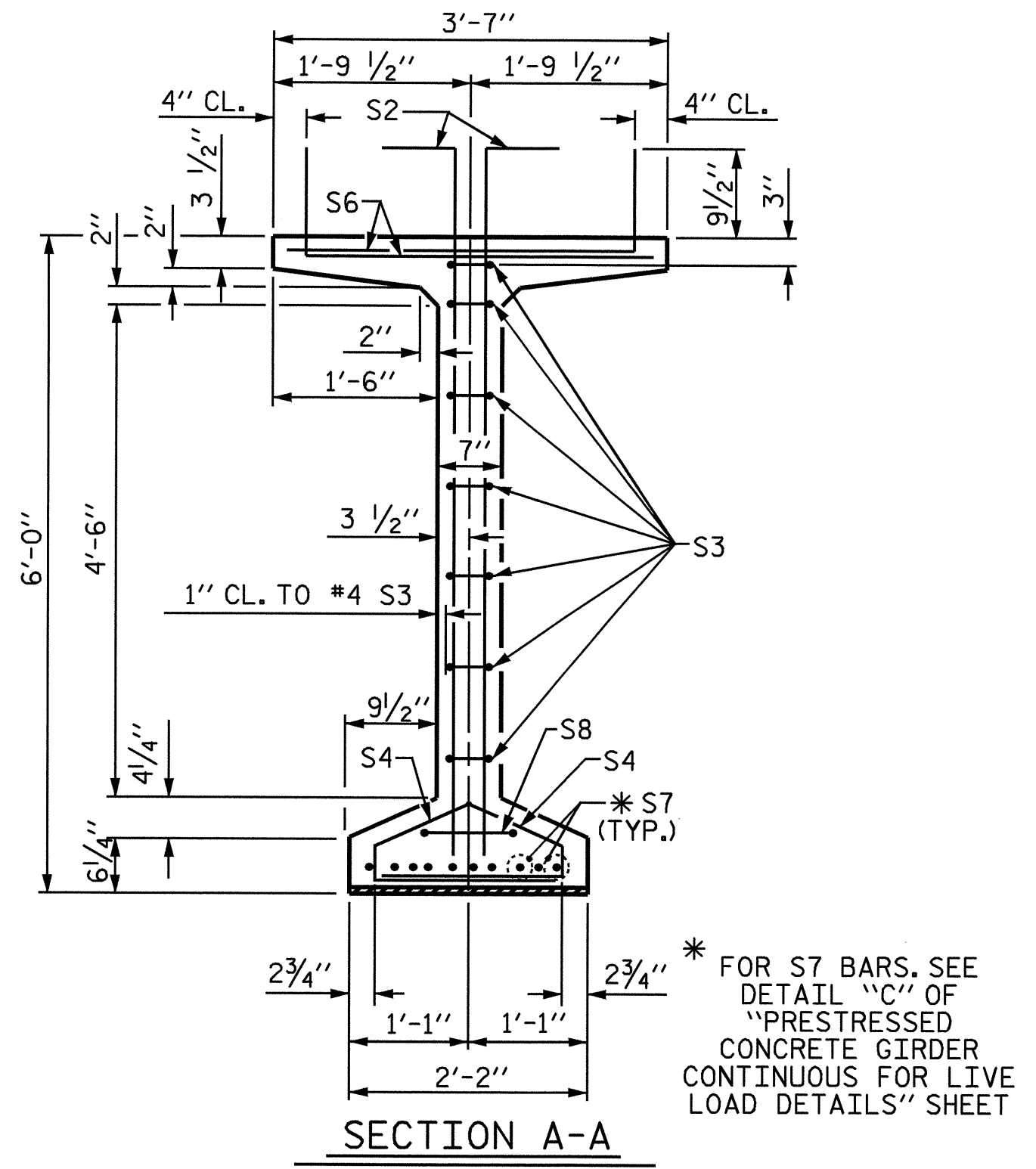
NO.	BY:	DATE:	NO.	BY:	DATE:
1			3		
2			4		

SHEET NO.

5-20
TOTAL SHEETS 70

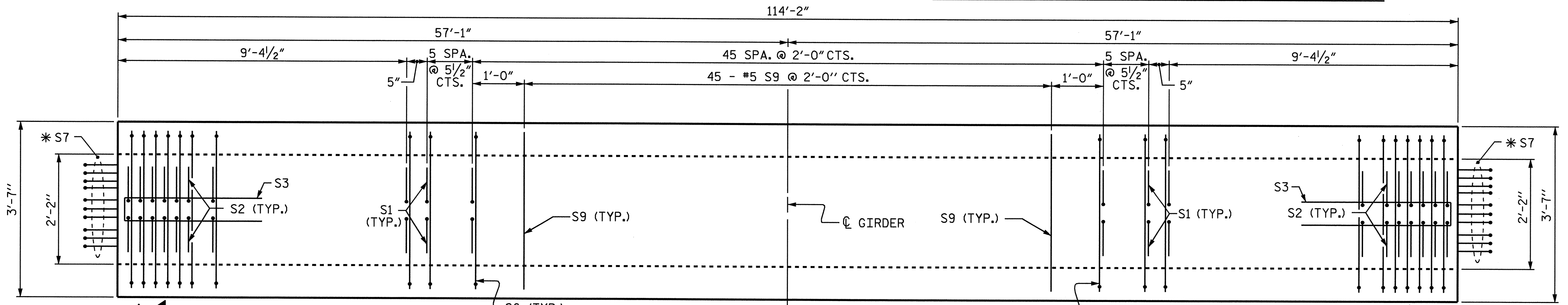


0.6" Ø LOW RELAXATION STRAND LAYOUT

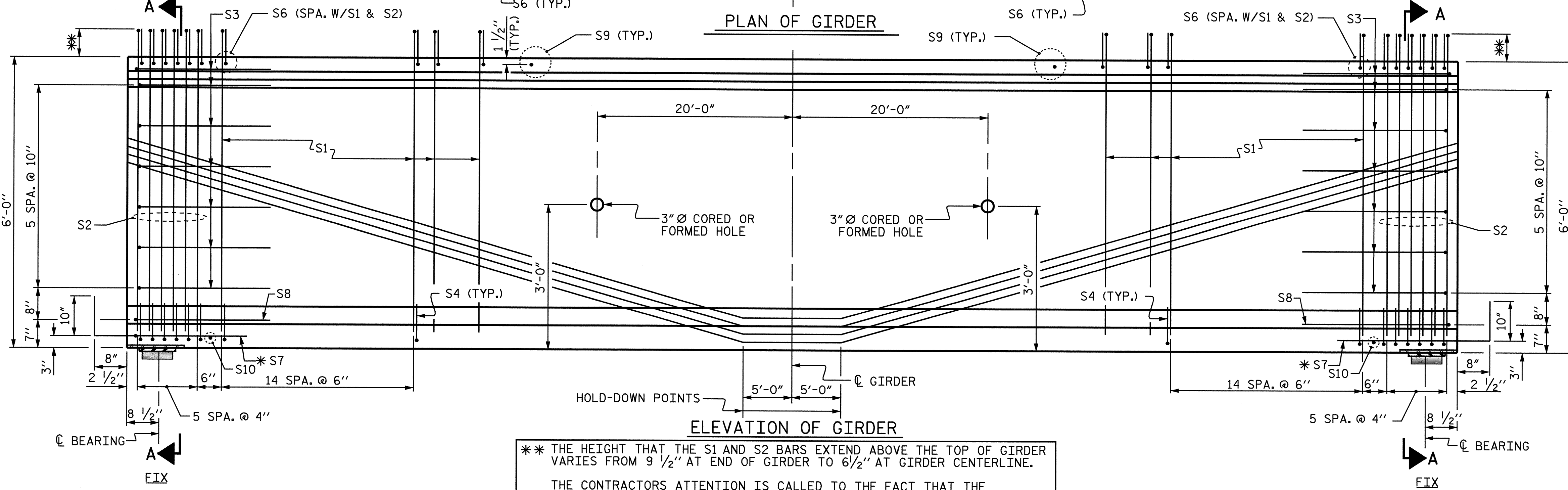


SECTION A-A

* FOR S7 BARS, SEE DETAIL "C" OF "PRESTRESSED CONCRETE GIRDER CONTINUOUS FOR LIVE LOAD DETAILS" SHEET



PLAN OF GIRDER



ELEVATION OF GIRDER

** THE HEIGHT THAT THE S1 AND S2 BARS EXTEND ABOVE THE TOP OF GIRDER VARIES FROM 9 1/2" AT END OF GIRDER TO 6 1/2" AT GIRDER CENTERLINE.
 THE CONTRACTORS ATTENTION IS CALLED TO THE FACT THAT THE CONCRETE STRENGTH REQUIRED IS 8000 PSI.
 THE UPLIFT FORCE DUE TO DRAPED STRANDS IS 24.5 KIPS.

EDITED BY : T.A. WALTER
 CHECKED BY : M.A. ALLEN
 DATE : 5/12/04
 DATE : 7/9/04