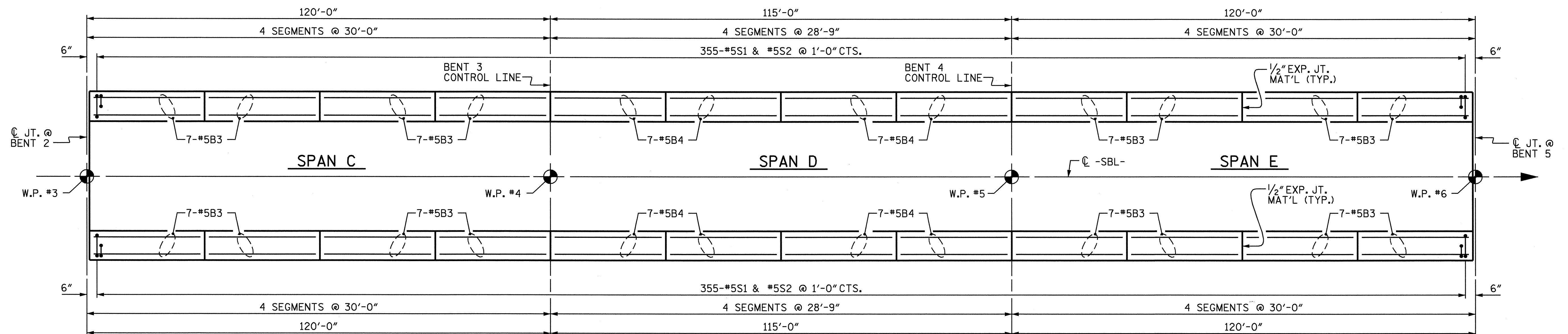
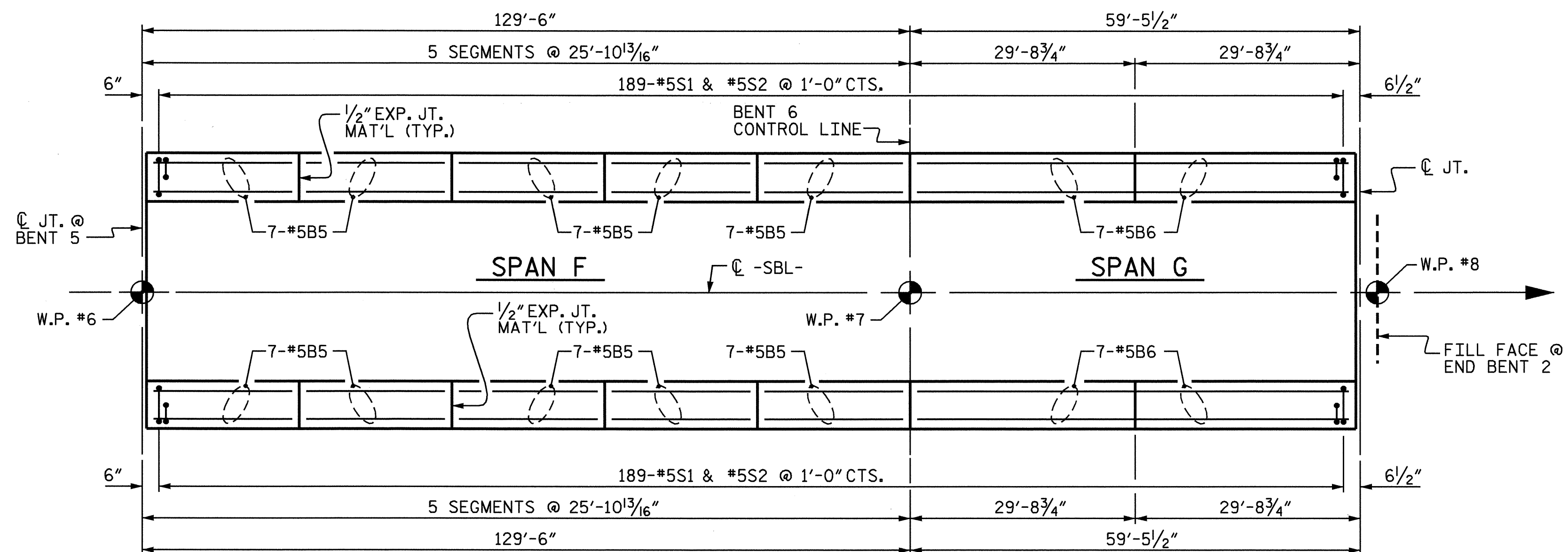


**PARTIAL PLAN OF BARRIER RAIL**



**PARTIAL PLAN OF BARRIER RAIL**



**PARTIAL PLAN OF BARRIER RAIL**

PROJECT NO. I-4025A  
YADKIN - SURRY COUNTY  
 STATION: 28+95.00 -SBL-

SHEET 1 OF 2

STATE OF NORTH CAROLINA  
 DEPARTMENT OF TRANSPORTATION  
 RALEIGH

**SUPERSTRUCTURE  
 CONCRETE BARRIER RAIL**



DRAWN BY : T.A. WALTER DATE : 6/4/2004  
 CHECKED BY : M.A. ALLEN DATE : 7/12/2004

18-AUG-2004 09:14  
 w:\Squadd\14025a\twalter\I4025A\_SD\_BR.dgn  
 twalter

REVISIONS						SHEET NO.
NO.	BY:	DATE:	NO.	BY:	DATE:	TOTAL SHEETS
1			3			33
2			4			18