

NOTES

STIRRUPS IN CAP MAY BE SHIFTED AS NECESSARY TO CLEAR ANCHOR BOLTS.

HOOKS ON V1 BARS MAY BE TURNED AS NECESSARY FOR PLACING REINFORCING STEEL.

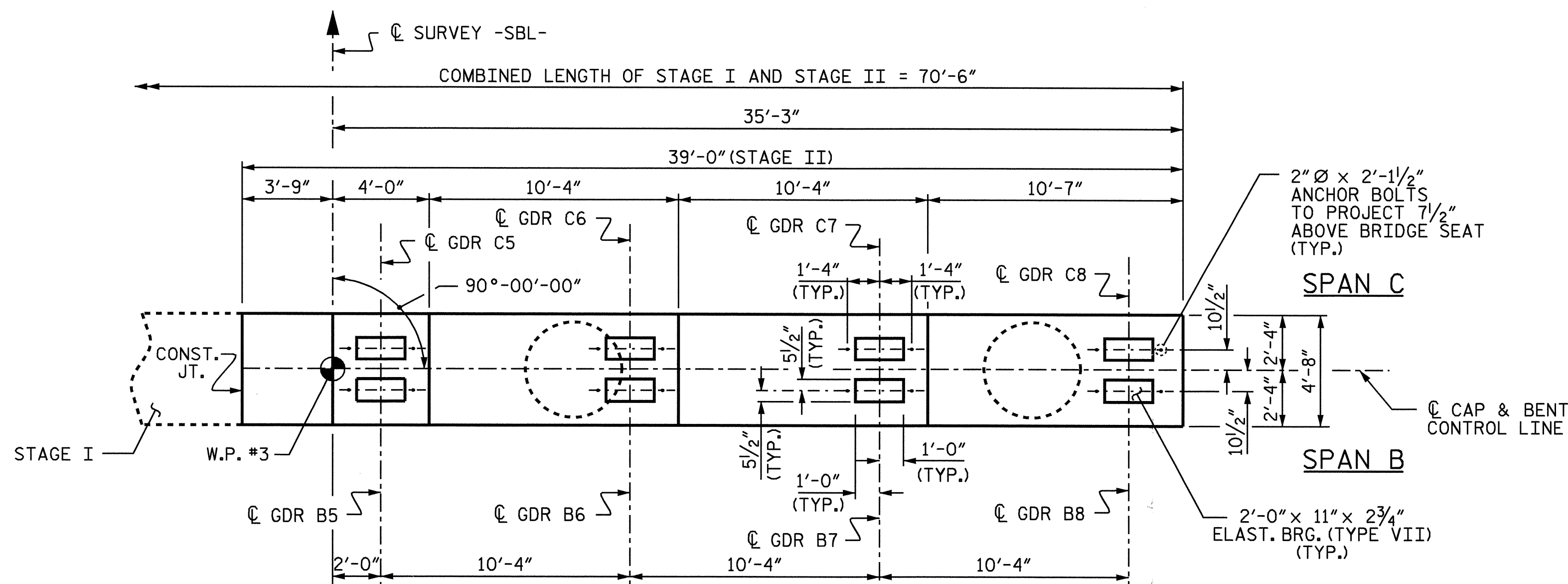
THE CONTRACTORS ATTENTION IS CALLED TO THE FACT THAT THE LONGITUDINAL REINFORCEMENT FOR THE DRILLED PIERS IS DETAILED WITH 3 FEET OF EXTRA LENGTH.

ALL STEEL IN THE DRILLED PIERS IS INCLUDED IN THE PAY ITEMS FOR "REINFORCING STEEL" AND "SPIRAL COLUMN REINFORCING STEEL".

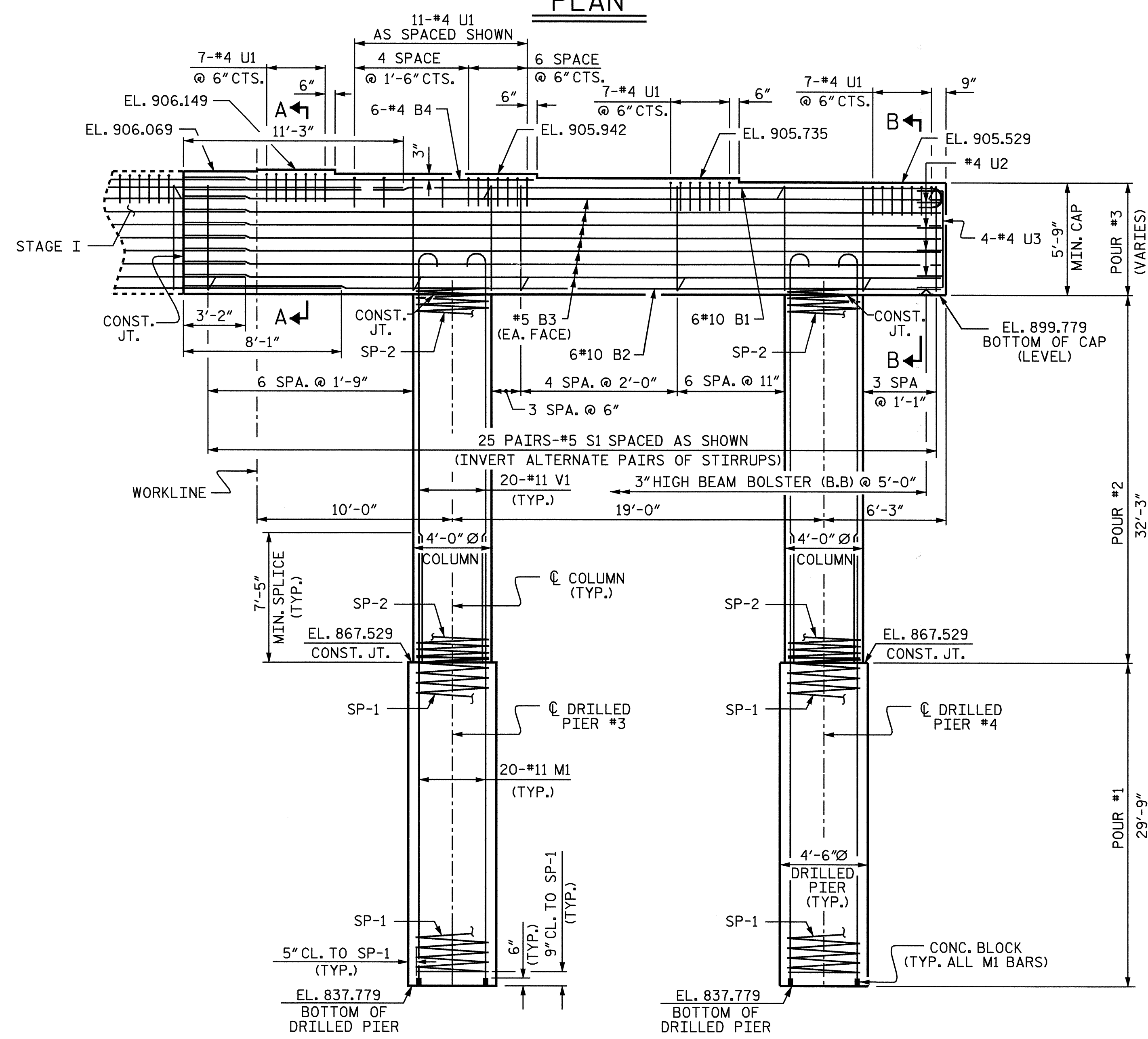
SPLICING OF THE LONGITUDINAL BARS IN THE DRILLED PIERS WILL NOT BE PERMITTED.

FOR EPOXY PROTECTIVE COATING, SEE SPECIAL PROVISIONS.

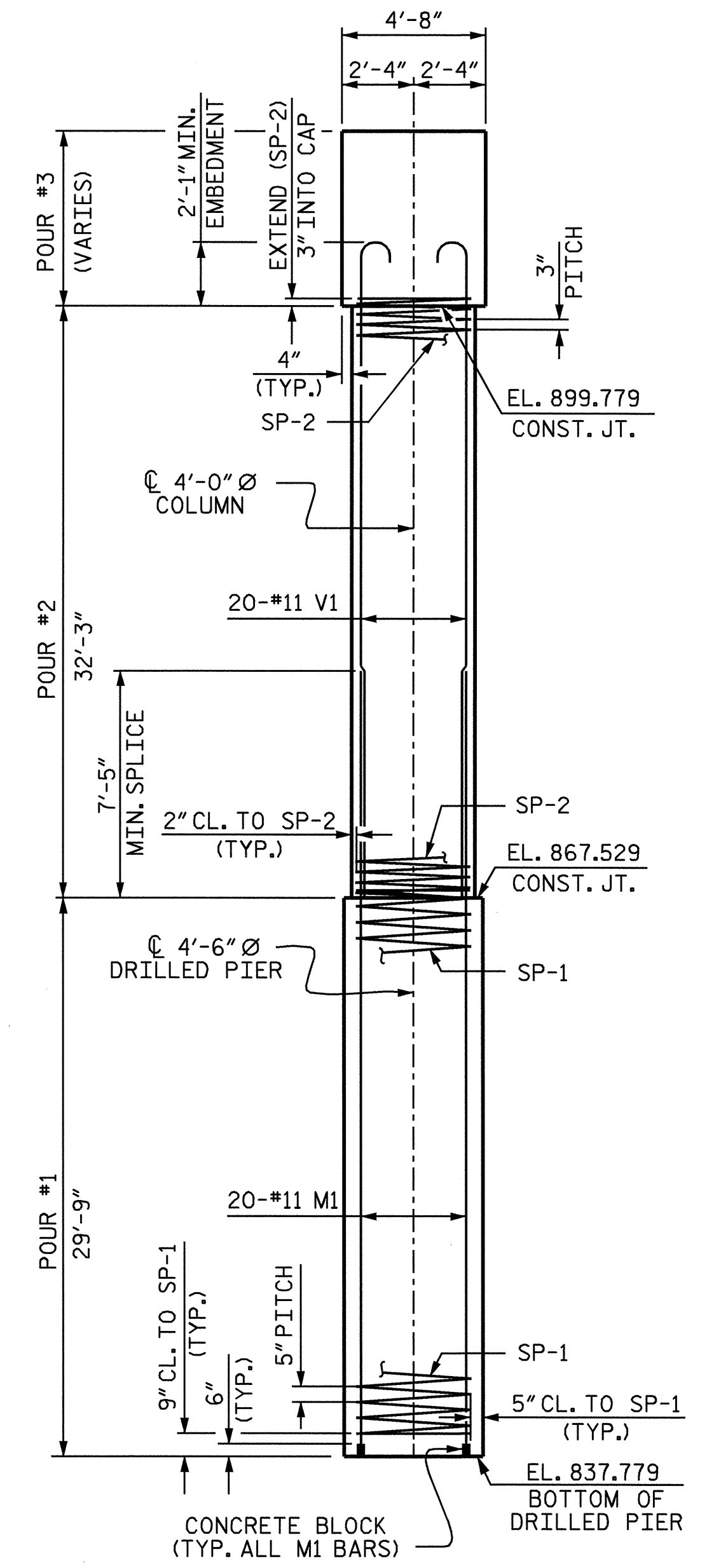
THE TOP SURFACE AREAS OF THE BENT CAP SHALL BE CURED IN ACCORDANCE WITH THE STANDARD SPECIFICATIONS EXCEPT THE MEMBRANE CURING COMPOUND METHOD SHALL NOT BE USED.



PLAN



ELEVATION



END ELEVATION

DRAWN BY: B.N.BARODAWALA DATE: 6-24-04  
CHECKED BY: P.S.ERVIN DATE: 8-17-04

18-AUG-2004 07:30  
w:\Squadd\14025a\bbardawala\I-4025A.sd.B1-6.01.dgn  
bbardawala

PROJECT NO. I-4025A  
YADKIN-SURRY COUNTY  
STATION: 28+95.00-SBL-

SHEET 1 OF 2

STATE OF NORTH CAROLINA DEPARTMENT OF TRANSPORTATION RALEIGH					
SUBSTRUCTURE					
BENT 2 STAGE II					
REVISIONS					
NO.	BY:	DATE:	NO.	BY:	DATE:
1			3		
2			4		
					SHEET NO. 5-50
					TOTAL SHEETS 78

