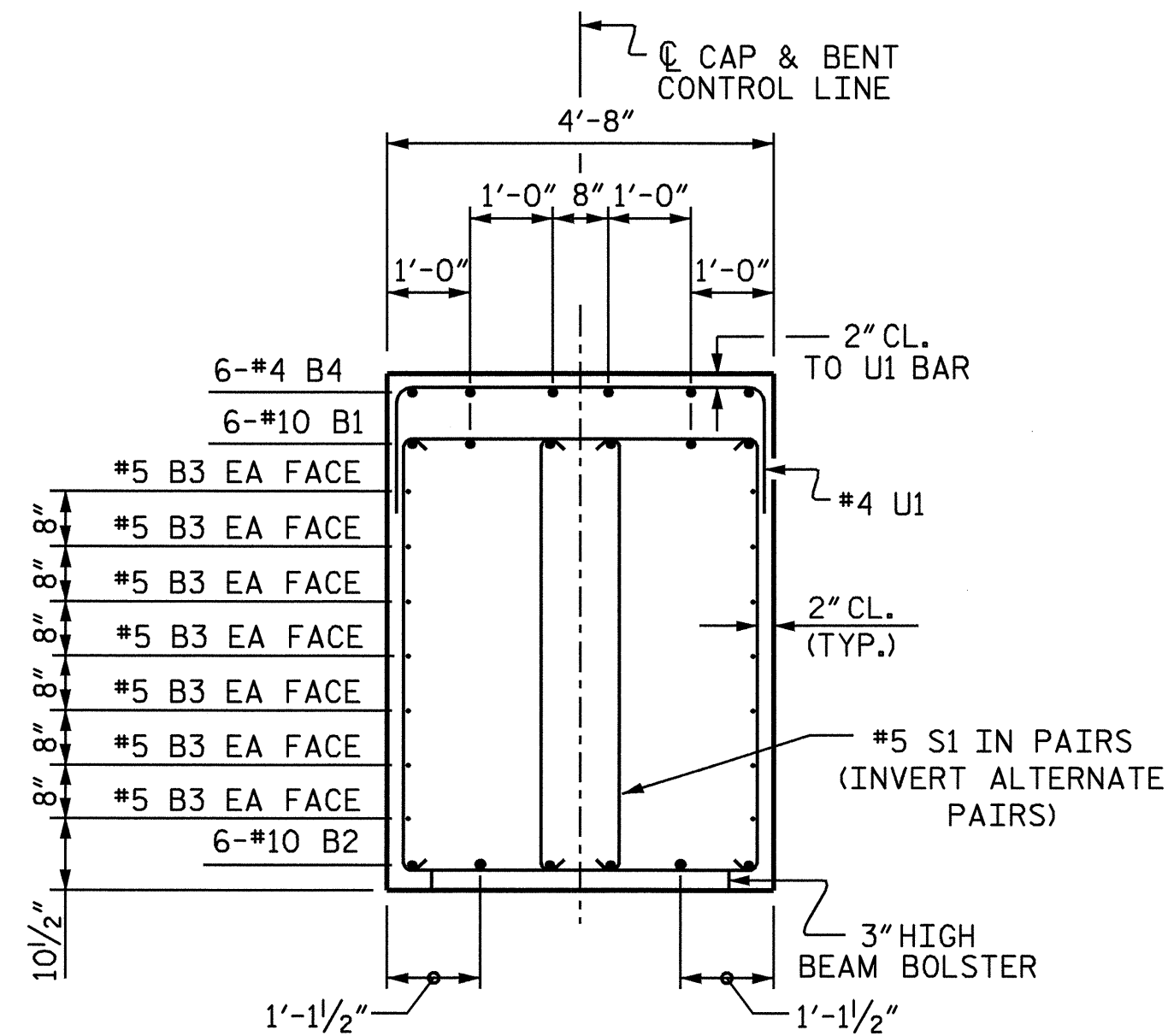
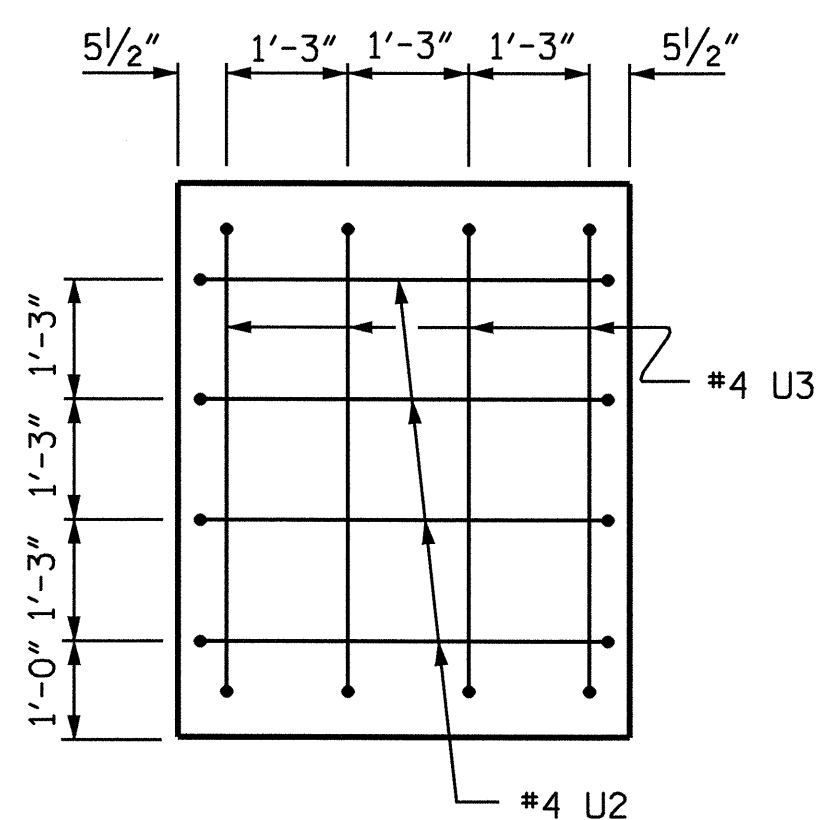


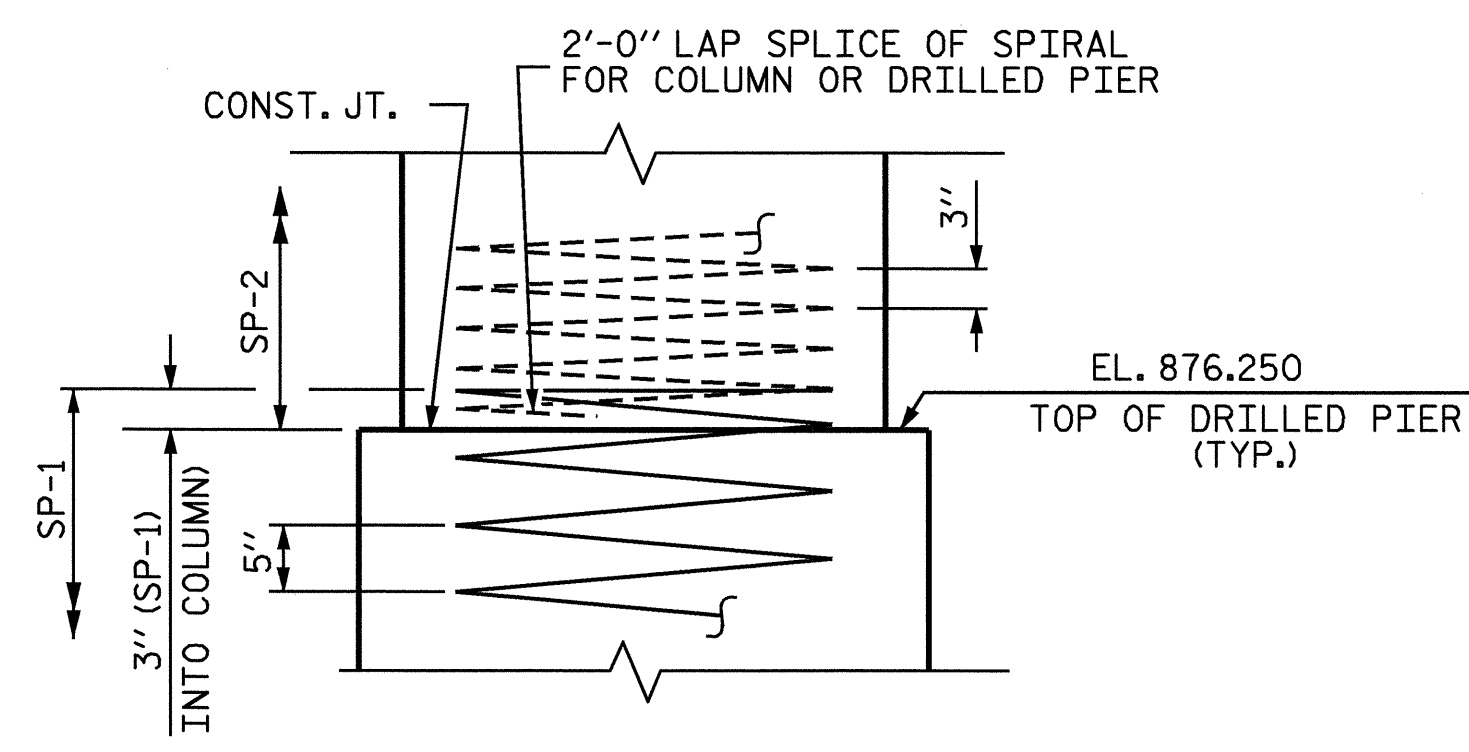
SECTION A-A



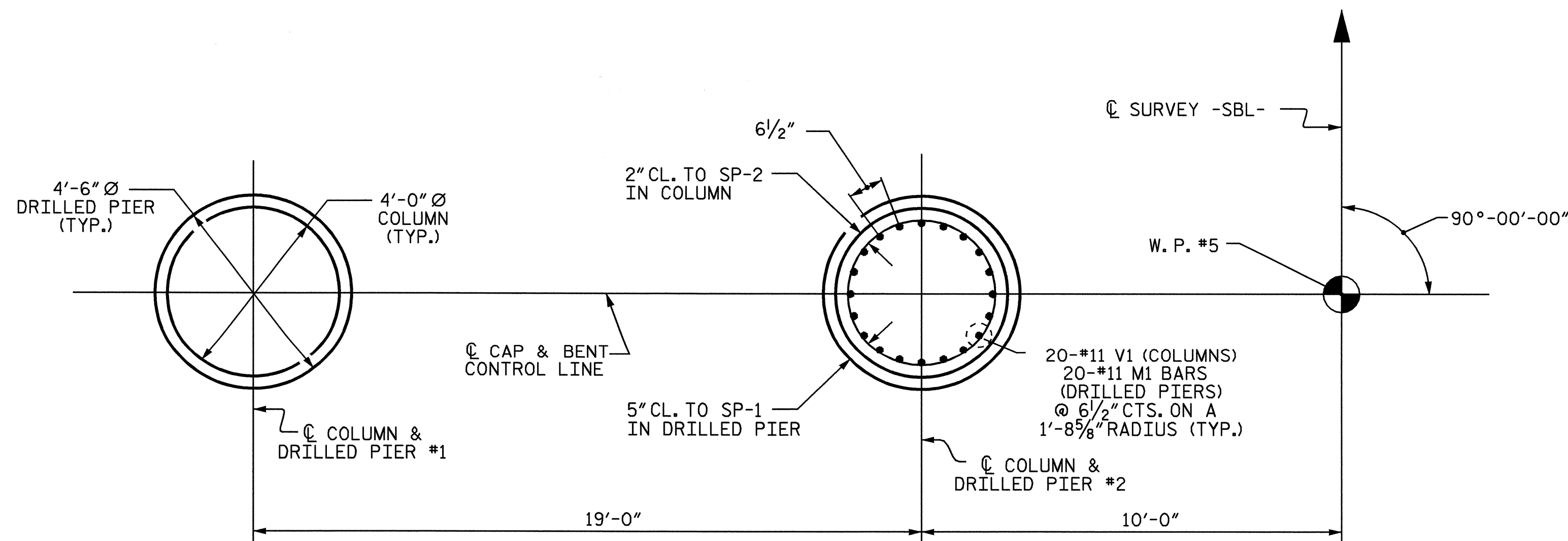
SECTION B-B



LEFT END VIEW



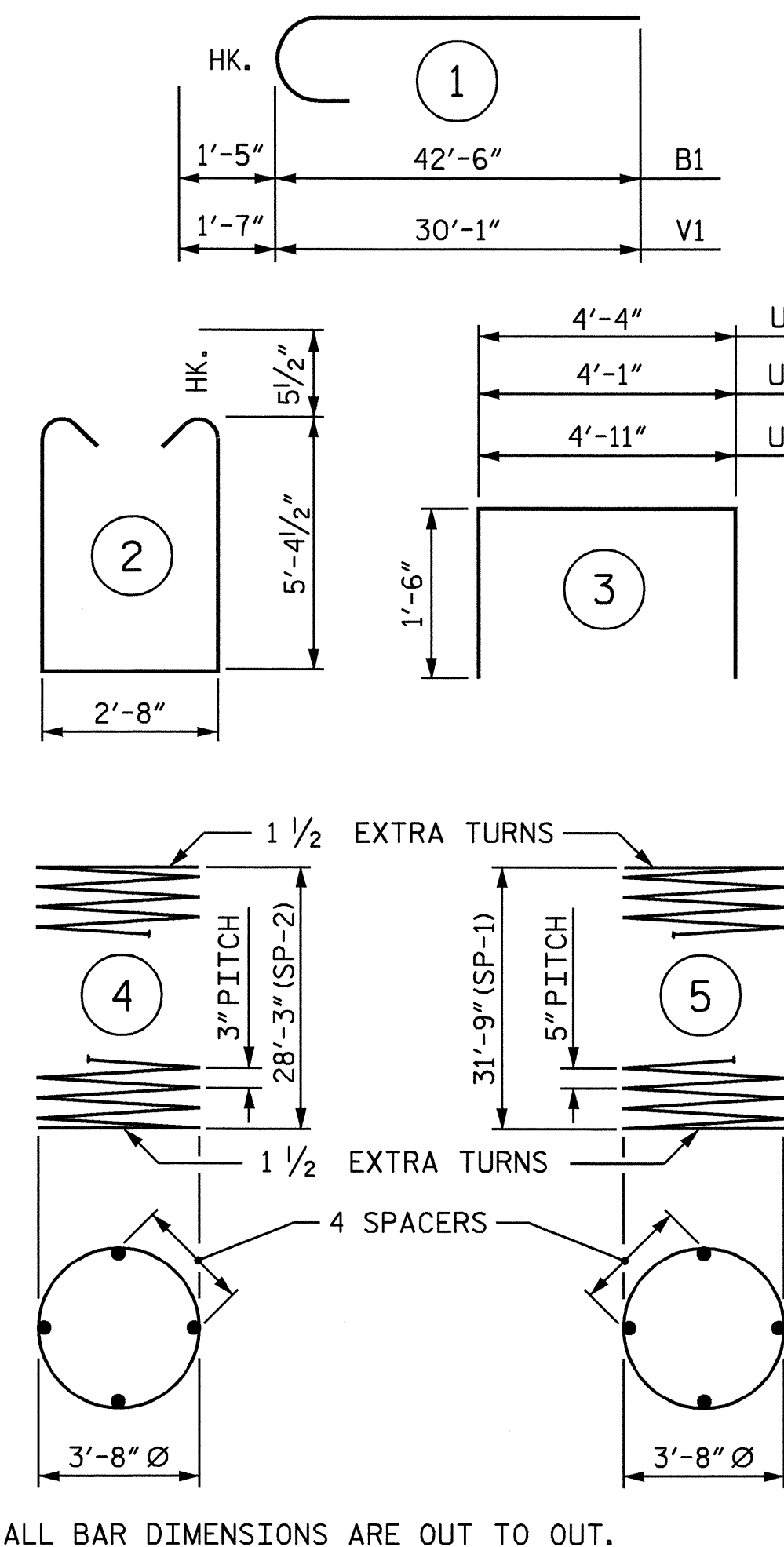
CONSTRUCTION JOINT DETAIL



PLAN OF COLUMNS AND DRILLED PIERS

DIMENSIONS AND REINFORCING STEEL SHOWN ARE TYPICAL FOR EACH DRILLED PIER

BAR TYPES



ALL BAR DIMENSIONS ARE OUT TO OUT.

\*\* THE SP-1 SPIRAL REINFORCING STEEL SHALL BE W31 OR D-31 COLD DRAWN WIRE OR #5 PLAIN OR DEFORMED BAR.

\*\*\* THE SP-2 SPIRAL REINFORCING STEEL SHALL BE W20 OR D-20 COLD DRAWN WIRE OR #4 PLAIN OR DEFORMED BAR.

BILL OF MATERIAL

BENT 4 STAGE I

BAR	NO.	SIZE	TYPE	LENGTH	WEIGHT
B1	6	#10		43'-11"	1134
B2	6	#10	STR	39'-5"	1018
B3	14	#5	STR	34'-6"	504
B4	6	#4	STR	16'-3"	65
M1	40	#11	STR	42'-2"	8961
S1	46	#5	2	14'-4"	688
U1	31	#4	3	7'-4"	152
U2	4	#4	3	7'-1"	19
U3	4	#4	3	7'-11"	21
V1	40	#11	1	31'-8"	6730

REINFORCING STEEL LBS. 19292

SP-1	2	**	5	909'-1"	1896
SP-2	2	***	4	1321'-5"	1765

TOTAL SPIRAL COLUMN REINFORCING STEEL LBS. 3661

CLASS 'A' CONCRETE BREAKDOWN		
POUR #2 (COLUMNS)	CU.YD.	26.1
POUR #3 (CAP)	CU.YD.	32.5

TOTAL CONCRETE CU.YD. 58.6

DRILLED PIER QUANTITIES

DRILLED PIER CONCRETE		
POUR #1 (DRILLED PIERS)	CU.YD.	38.0
4'-6" Ø DRILLED PIER NOT IN SOIL	CU.YD.	16.50
	LIN. FT.	
4'-6" Ø DRILLED PIER IN SOIL	LIN. FT.	48.00

CSL TUBES LIN. FT. 278.00

PROJECT NO. I-4025A  
YADKIN-SURRY COUNTY  
STATION: 28+95.00-SBL-

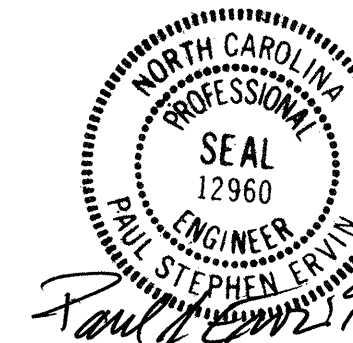
SHEET 2 OF 2

STATE OF NORTH CAROLINA  
DEPARTMENT OF TRANSPORTATION  
RALEIGH

SUBSTRUCTURE  
BENT 4  
STAGE I

REVISIONS

NO.	BY:	DATE:	NO.	BY:	DATE:	SHEET NO.
1			3			5-51
2			4			TOTAL SHEETS 78



DRAWN BY: B.N.BARODAWALA DATE: 7-12-04  
CHECKED BY: P.S.ERVIN DATE: 8-17-04