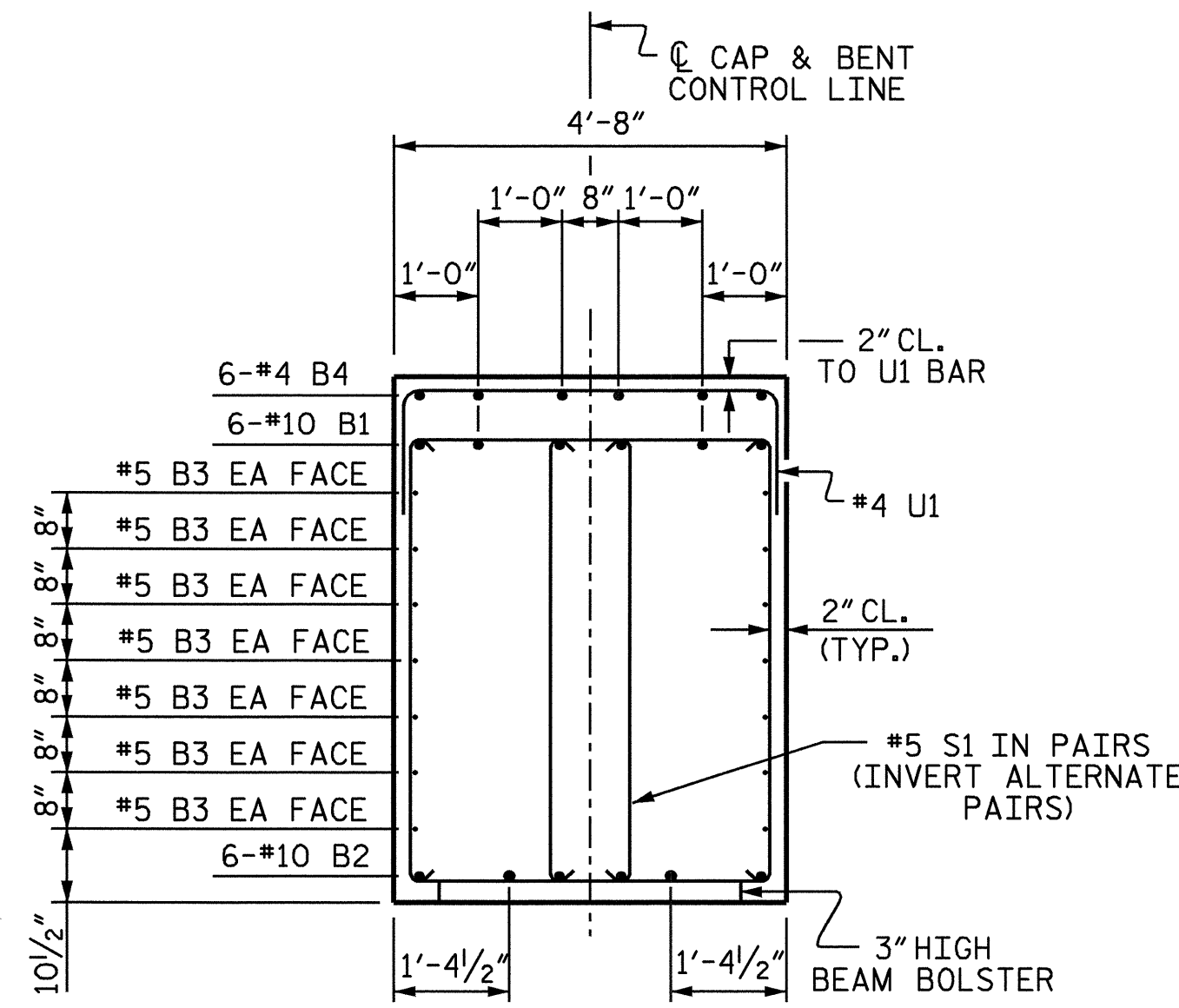
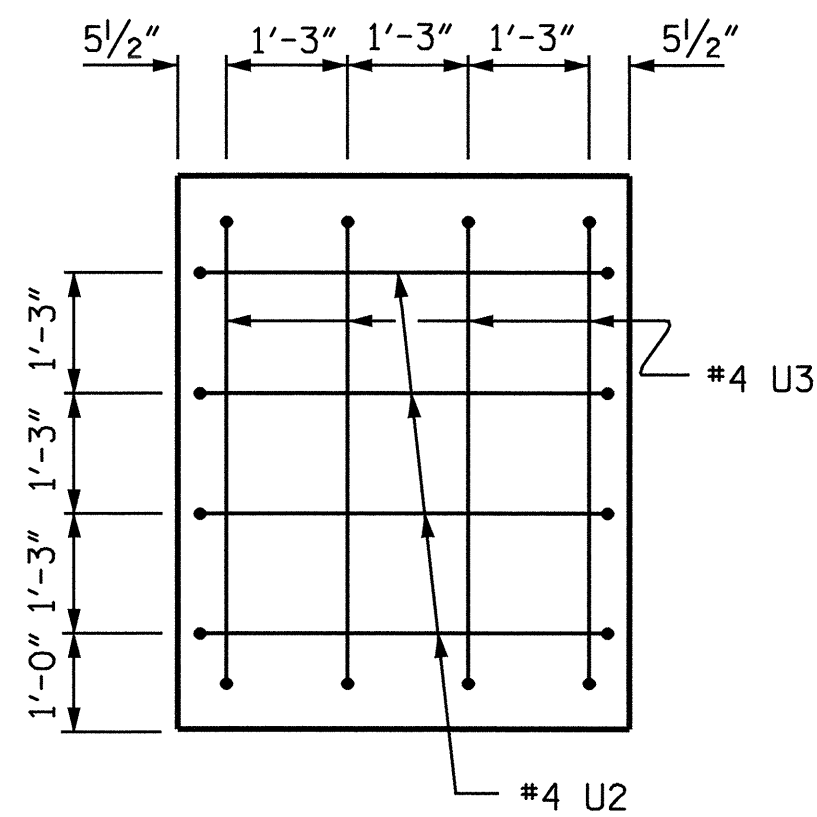


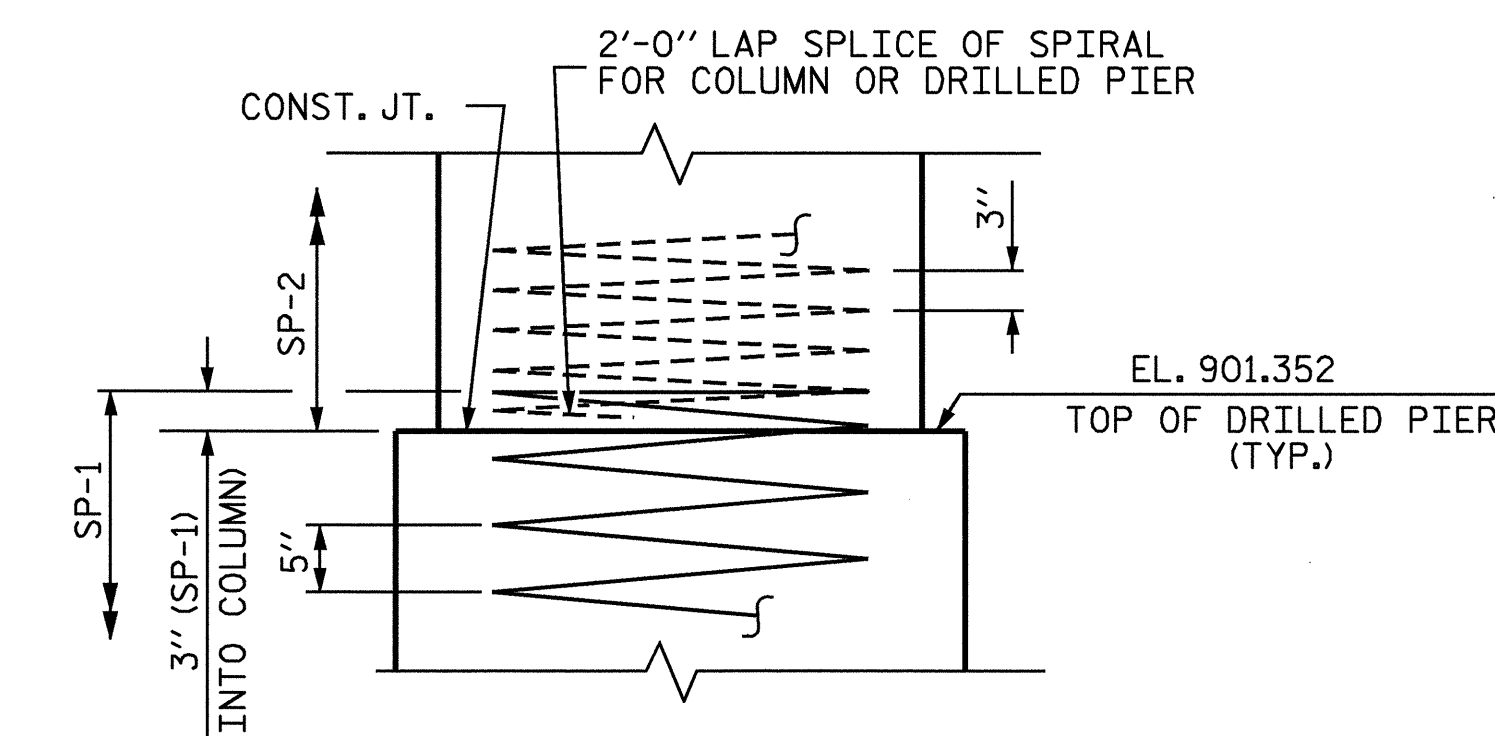
SECTION A-A



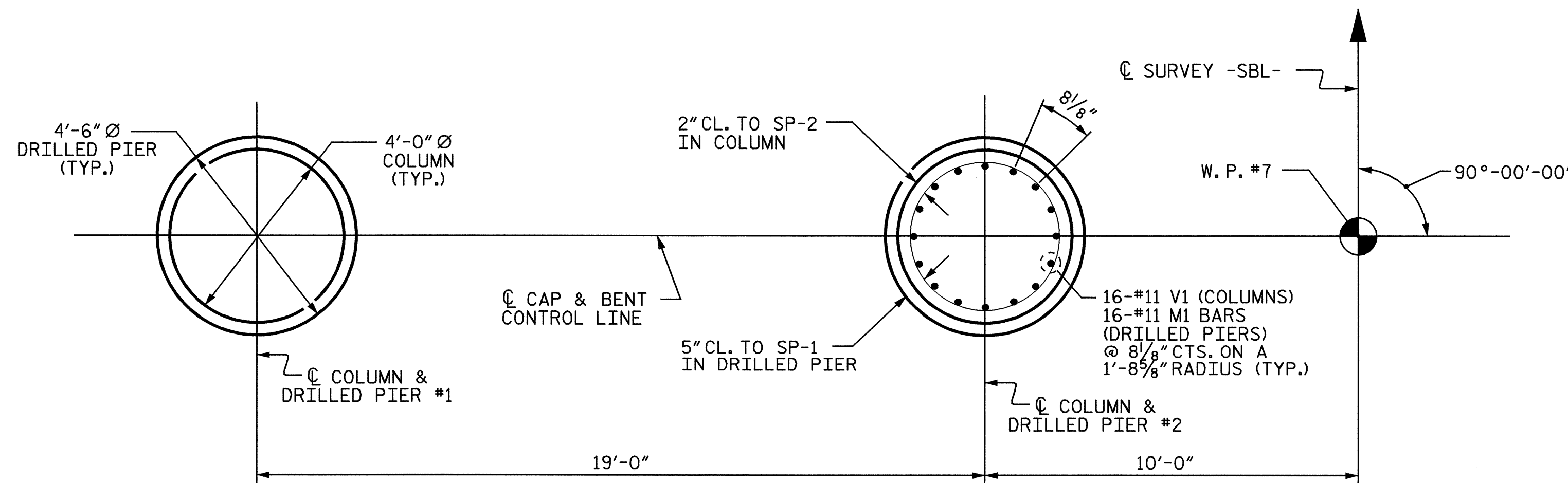
SECTION B-B



LEFT END VIEW



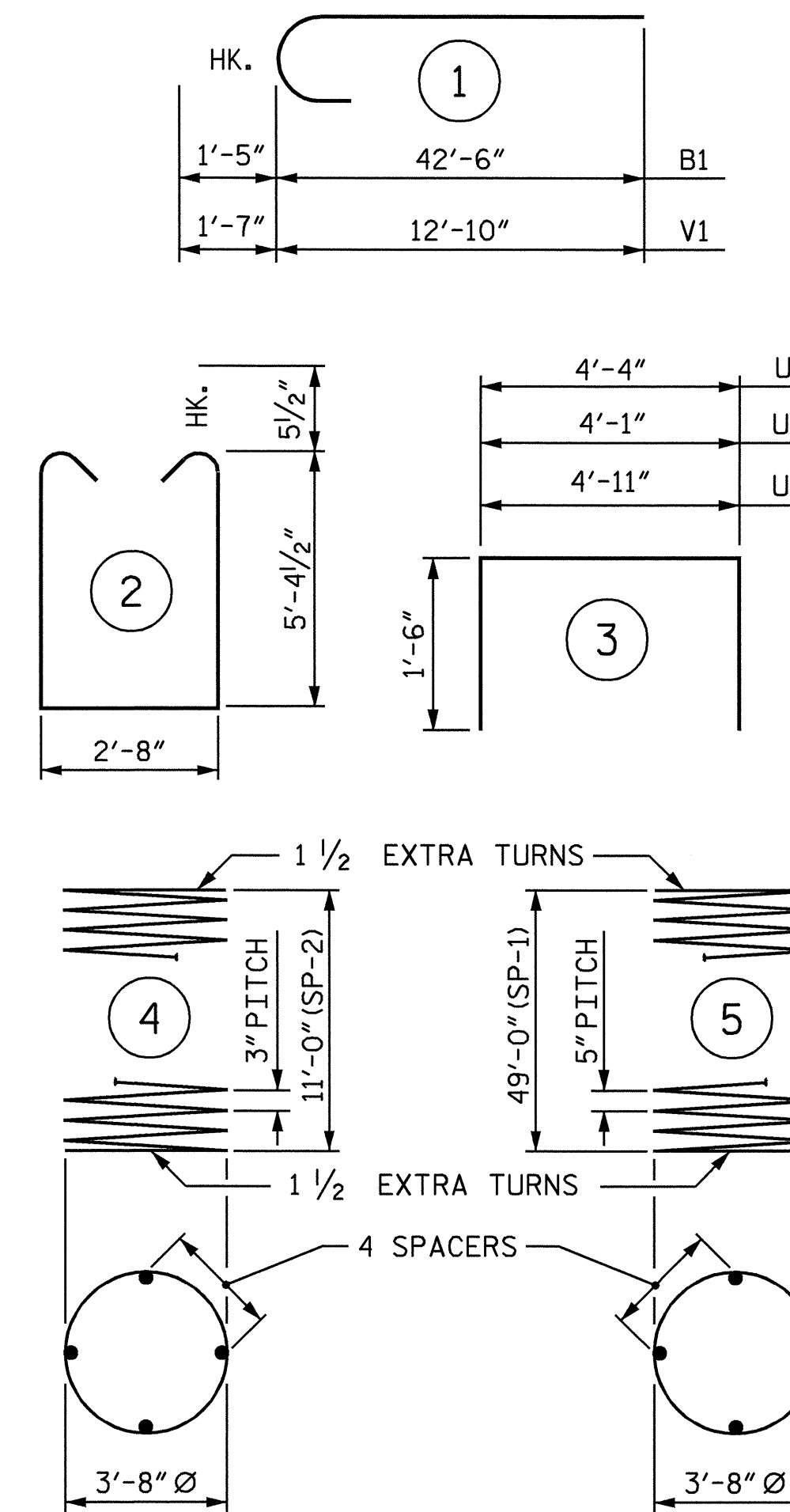
CONSTRUCTION JOINT DETAIL



PLAN OF COLUMNS AND DRILLED PIERS

DIMENSIONS AND REINFORCING STEEL SHOWN ARE TYPICAL FOR EACH DRILLED PIER

BAR TYPES



ALL BAR DIMENSIONS ARE OUT TO OUT.

\* THE SP-1 SPIRAL REINFORCING STEEL SHALL BE W31 OR D-31 COLD DRAWN WIRE OR #5 PLAIN OR DEFORMED BAR.

\*\* THE SP-2 SPIRAL REINFORCING STEEL SHALL BE W20 OR D-20 COLD DRAWN WIRE OR #4 PLAIN OR DEFORMED BAR.

BILL OF MATERIAL

BENT 6 STAGE I

BAR	NO.	SIZE	TYPE	LENGTH	WEIGHT
B1	6	#10		43'-11"	1134
B2	6	#10	STR	39'-5"	1018
B3	14	#5	STR	34'-6"	504
B4	6	#4	STR	16'-3"	65
M1	32	#11	STR	59'-5"	10102
S1	46	#5	2	14'-4"	688
U1	31	#4	3	7'-4"	152
U2	4	#4	3	7'-1"	19
U3	4	#4	3	7'-11"	21
V1	32	#11	1	14'-5"	2451

REINFORCING STEEL LBS. 16154

SP-1 2 \* 5 1375'-0" 2868

SP-2 2 \*\*\* 4 535'-5" 715

TOTAL SPIRAL COLUMN REINFORCING STEEL LBS. 3583

CLASS 'A' CONCRETE BREAKDOWN  
 POUR #2 (COLUMNS) CU.YD. 10.0  
 POUR #3 (CAP) CU.YD. 32.5  
 TOTAL CONCRETE CU.YD. 42.5

DRILLED PIER QUANTITIES

DRILLED PIER CONCRETE  
 POUR #1 (DRILLED PIERS #1) CU.YD. 58.3

4'-6" Ø DRILLED PIER NOT IN SOIL 19.50  
 LIN. FT.

4'-6" Ø DRILLED PIER IN SOIL 79.50  
 LIN. FT.

CSL TUBES LIN. FT. 416.00

PROJECT NO. I-4025A  
 YADKIN-SURRY COUNTY  
 STATION: 28+95.00-SBL-

SHEET 2 OF 2

STATE OF NORTH CAROLINA  
 DEPARTMENT OF TRANSPORTATION  
 RALEIGH

SUBSTRUCTURE  
 BENT 6  
 STAGE I



Paul Ervin 9-8-04

REVISIONS						SHEET NO.
NO.	BY:	DATE:	NO.	BY:	DATE:	TOTAL SHEETS
1			3			5-65
2			4			78

DRAWN BY: B.N.BARODAWALA DATE: 7-12-04  
 CHECKED BY: P.S.ERVIN DATE: 8-17-04