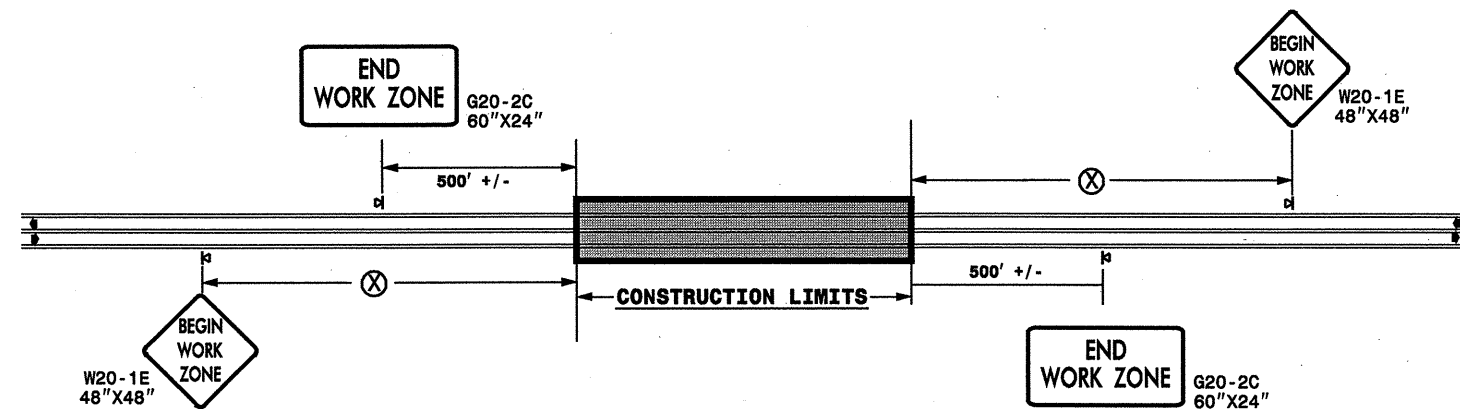


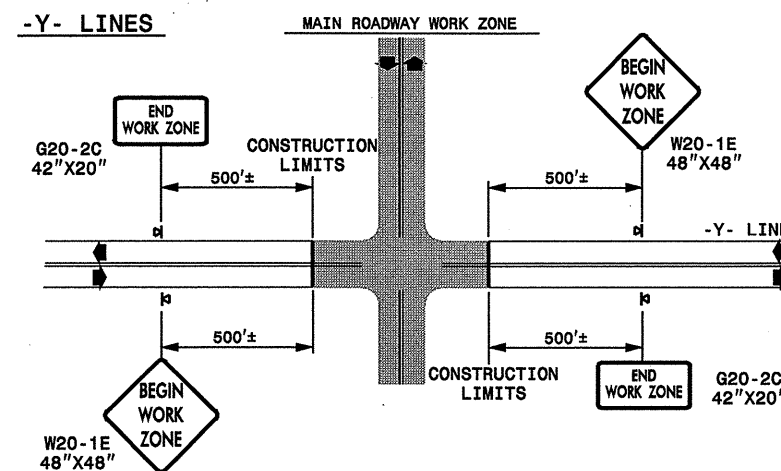
**TWO-WAY UNDIVIDED WORK ZONE (L-LINES)**



POSTED SPEED LIMIT (M.P.H.)	RECOMMENDED MINIMUM SIGN SPACING
≤ 35	300'
40 - 50	1150'
55	1600'

STATE OF NORTH CAROLINA  
DEPT. OF TRANSPORTATION  
DIVISION OF HIGHWAYS  
RALEIGH, N.C.

**ROADWAYS INTERSECTING ALONG 2 WAY UNDIVIDED WORK ZONE (Y-LINES)**



DETAIL DRAWING FOR  
TWO-WAY UNDIVIDED  
WORK ZONE WARNING SIGNS


**GENERAL NOTES**

- DO NOT INSTALL ADVANCE WARNING SIGNS MORE THAN 3 DAYS PRIOR TO BEGINNING OF WORK.
- MOUNT SIGNS ON PORTABLE SIGN STANDS.
- ALL SIGN SPACING DIMENSIONS ARE APPROXIMATE. FIELD ADJUST AS NECESSARY OR AS DIRECTED.

**LEGEND**

- ◁ PORTABLE SIGN
- ◀ DIRECTION OF TRAFFIC FLOW

SHEET 1 OF 1

APPROVED: _____ DATE: _____	<b>DETAIL DRAWING FOR TWO-WAY UNDIVIDED WORK ZONE SIGNS</b>	
SEAL	SCALE: NONE	
	DATE: 09-06-2001	
	DWG. BY: MMM	
	DESIGN BY: MMM	
REVIEWED BY: _____	REVISIONS	