

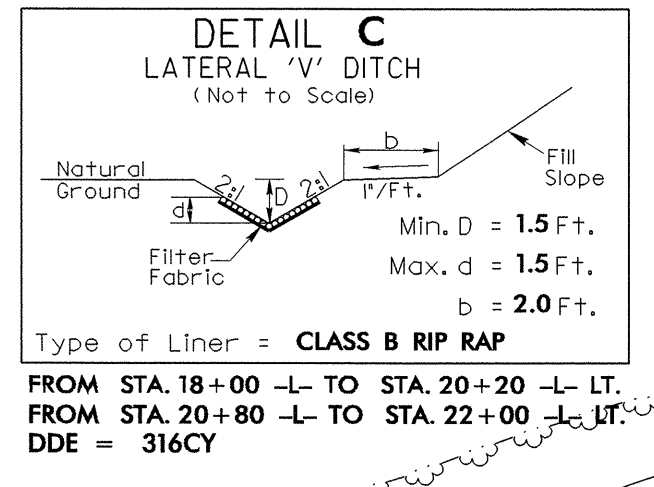
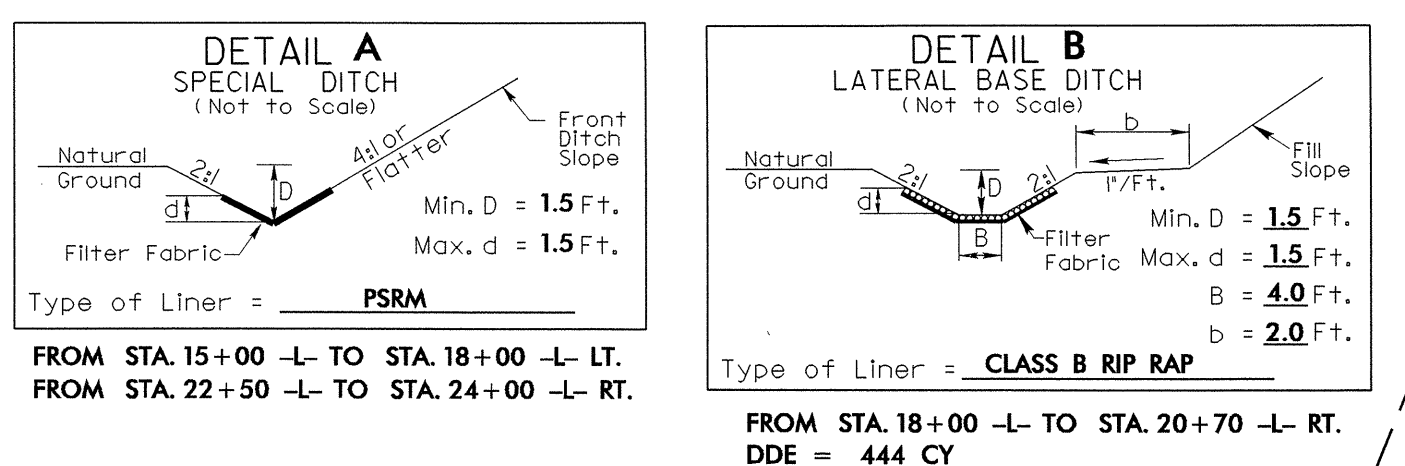
**UTILITIES BY OTHERS**

**NOTE:**  
ALL PROPOSED UTILITY WORK SHOWN ON THIS SHEET WILL BE DONE BY OTHERS

**Note:**  
**DESIGN EXCEPTION REQUIRED FOR DESIGN SPEED**

**STA 15+00.00 -L- BEGIN TIP PROJECT B-3695**

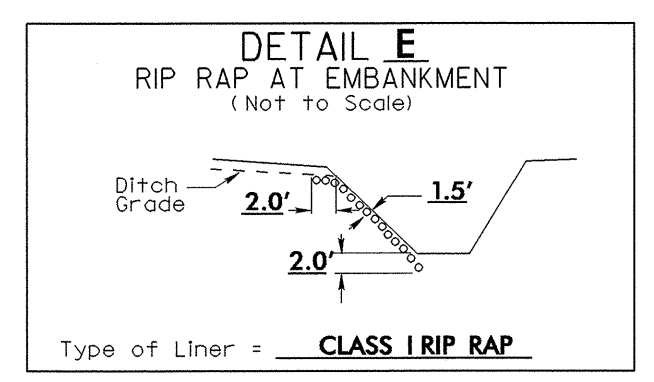
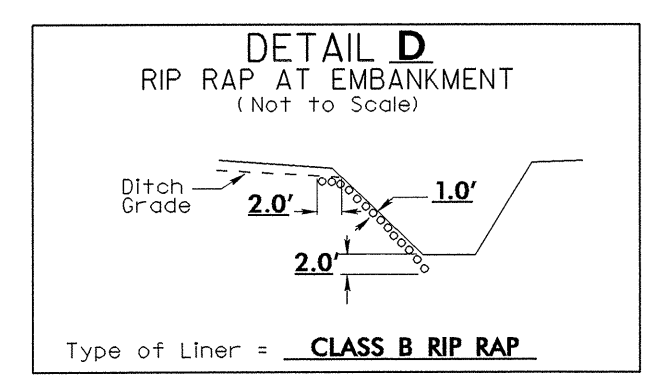
**STA 24+50.00 -L- END TIP PROJECT B-3695**



-L-  
PI Sta 13+80.60  
Δ = 48° 30' 57.9" (LT)  
D = 10° 31' 03.2"  
L = 461.29'  
T = 245.49'  
R = 544.76'  
e = SEE PLANS  
DS = 41 MPH

-L-  
PI Sta 18+26.64  
Δ = 19° 21' 53.3" (LT)  
D = 4° 14' 44.5"  
L = 456.10'  
T = 230.25'  
R = 1,349.50'  
e = SEE PLANS  
DS = 60 MPH

-L-  
PI Sta 25+46.82  
Δ = 46° 59' 42.6" (RT)  
D = 8° 52' 59.0"  
L = 529.04'  
T = 280.42'  
R = 645.00'  
e = SEE PLANS  
DS = 44 MPH



SEE SHEETS C-1 THRU C7- FOR CULVERT PLANS  
SEE SHEET 5 FOR -L- PROFILE  
PAVED SHOULDER

04 JUN 2004 09:16 I:\P\B3695\psh4\_uo2.msh DS214517