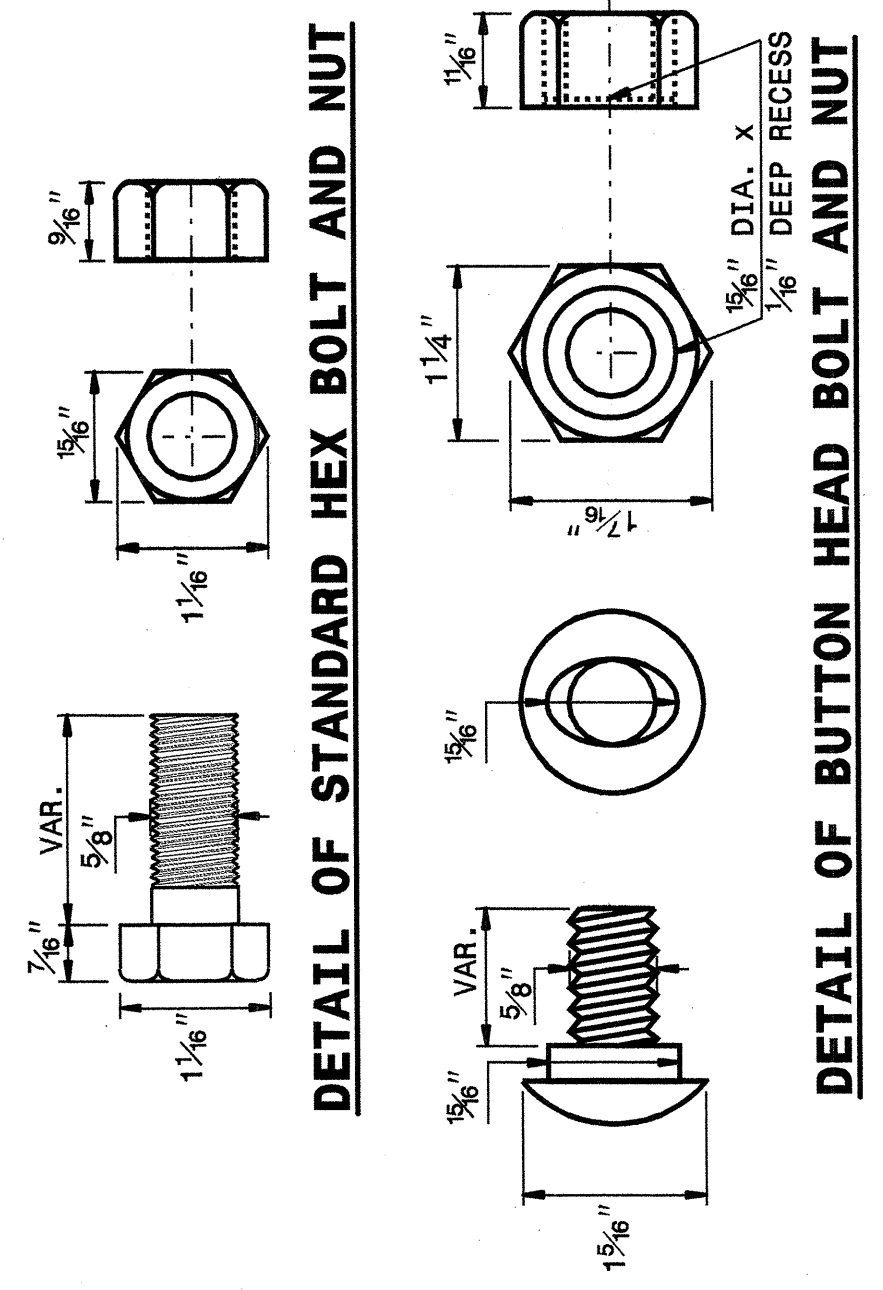
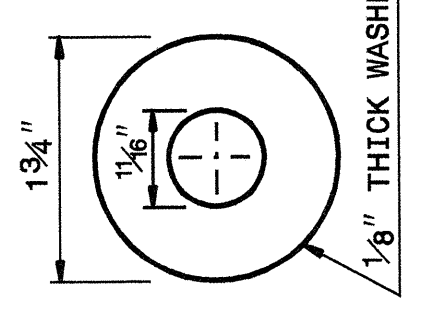
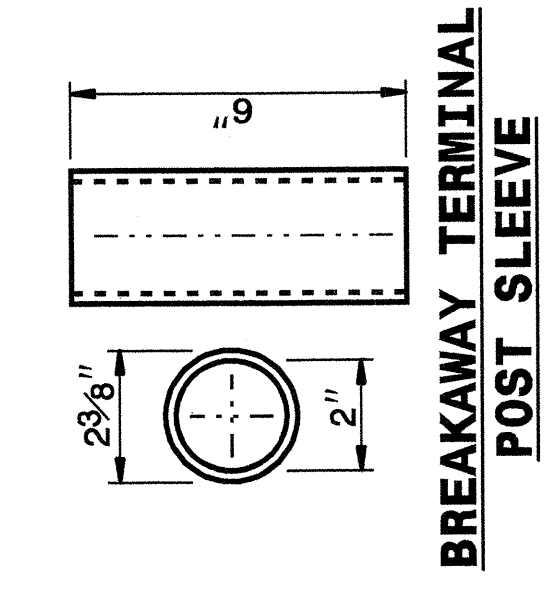


29-APR-2004 10:01 M:\Special Details\vercower\dstds\02\stds to Special Details\english\86202\0862d02.dgn

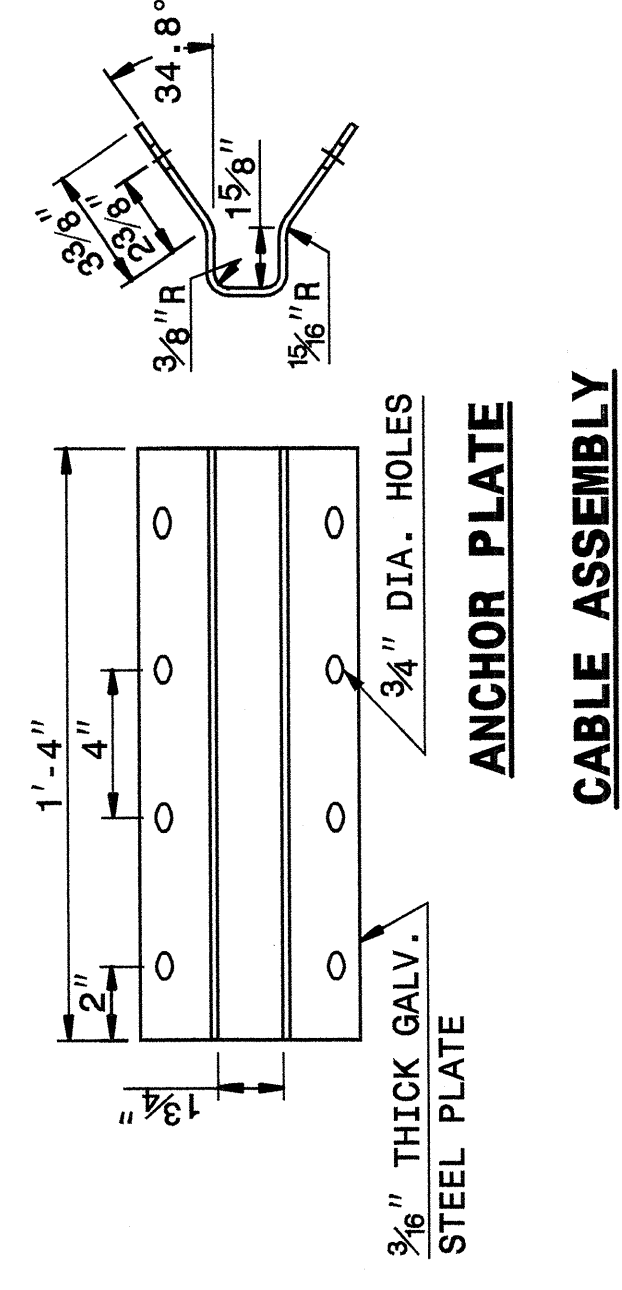
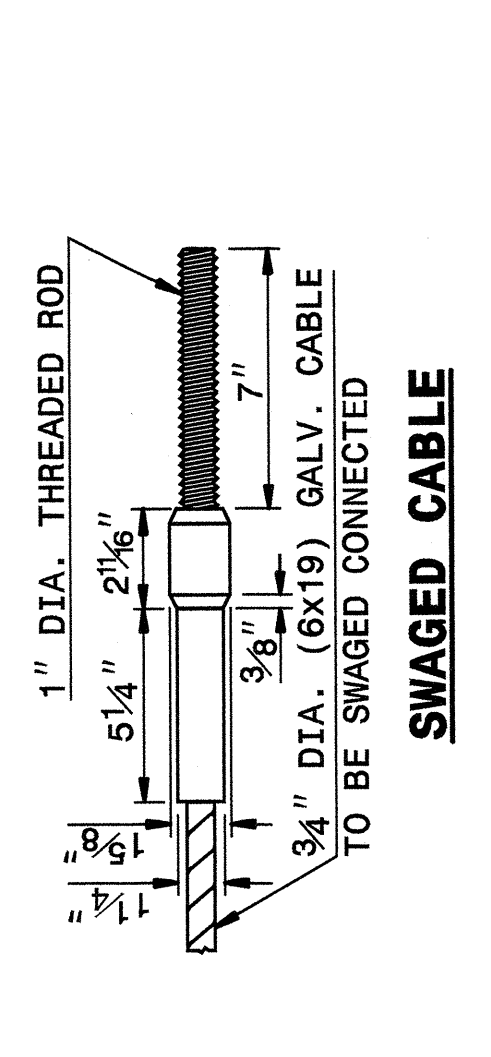
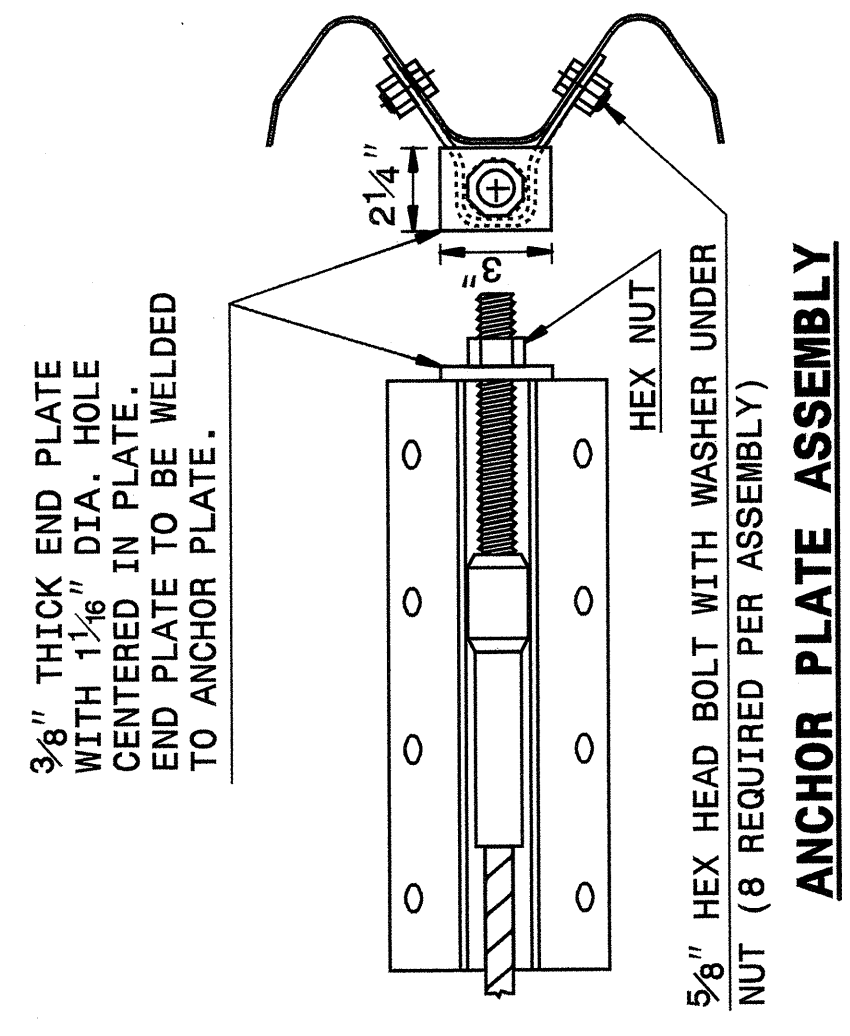
STATE OF NORTH CAROLINA
DEPT. OF TRANSPORTATION
DIVISION OF HIGHWAYS
RALEIGH, N.C.

ENGLISH DETAIL DRAWING FOR
GUARDRAIL INSTALLATION

SHEET 5 OF 7
862D02



SYSTEM PARTS



ENGLISH DETAIL DRAWING FOR
GUARDRAIL INSTALLATION

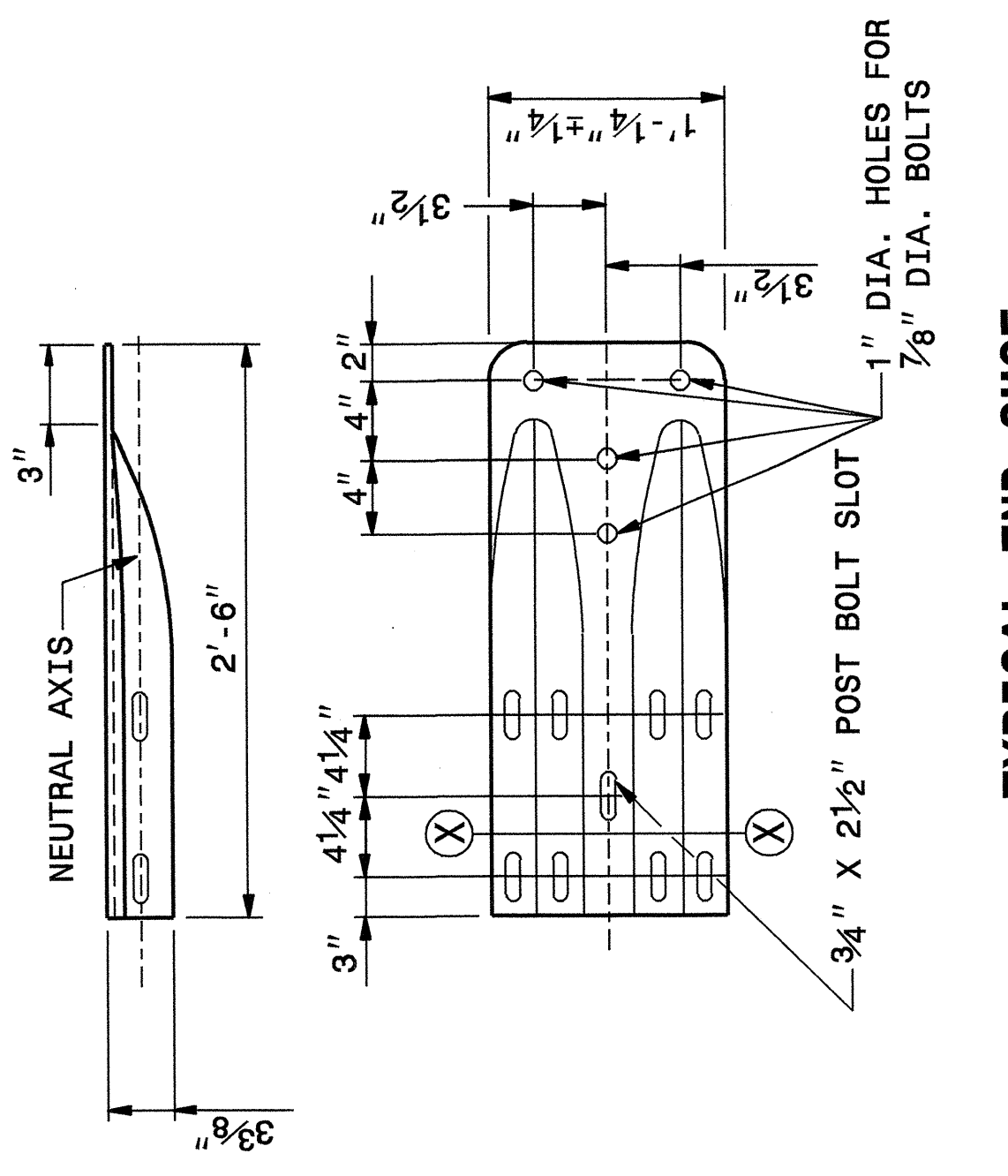
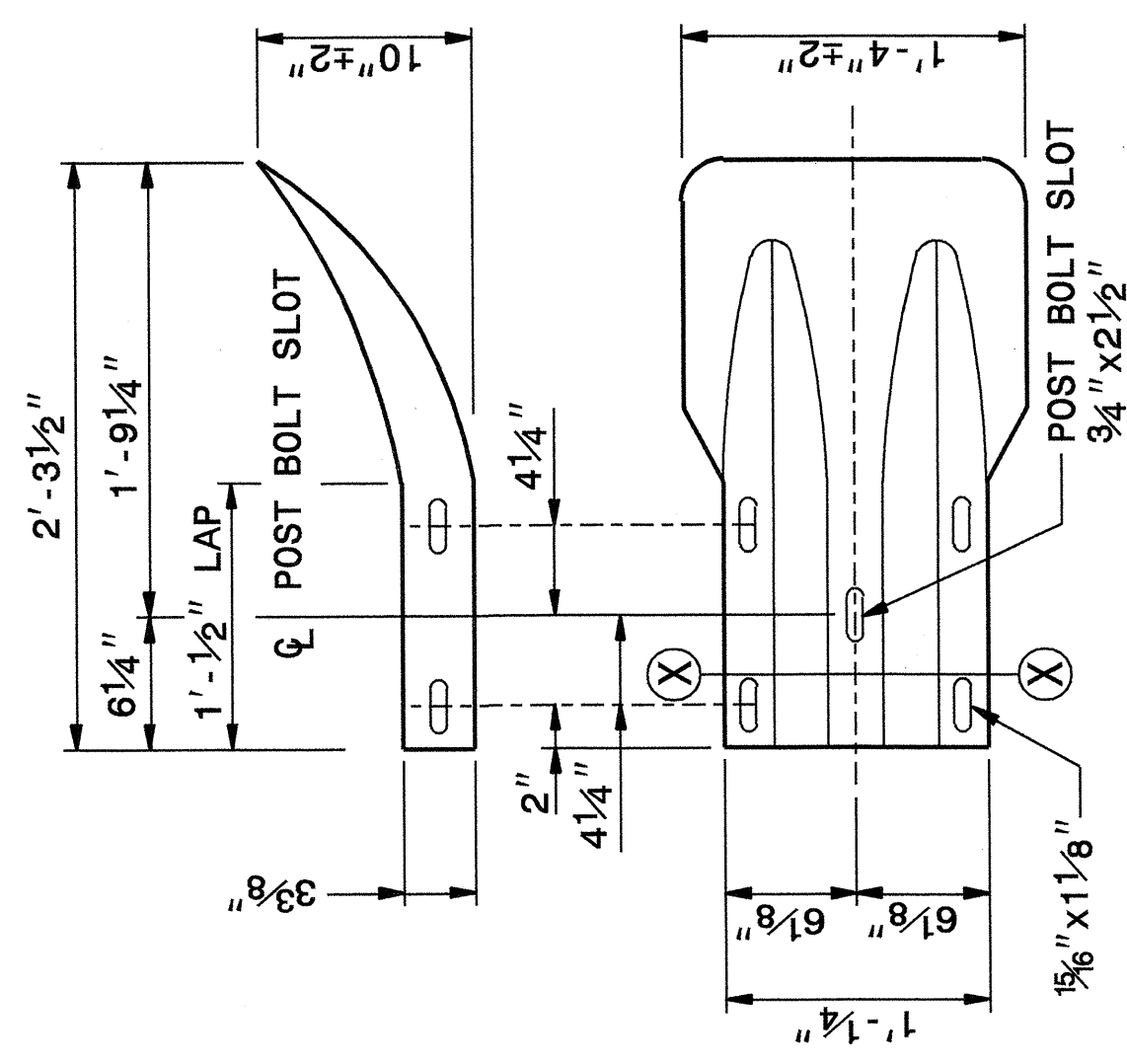
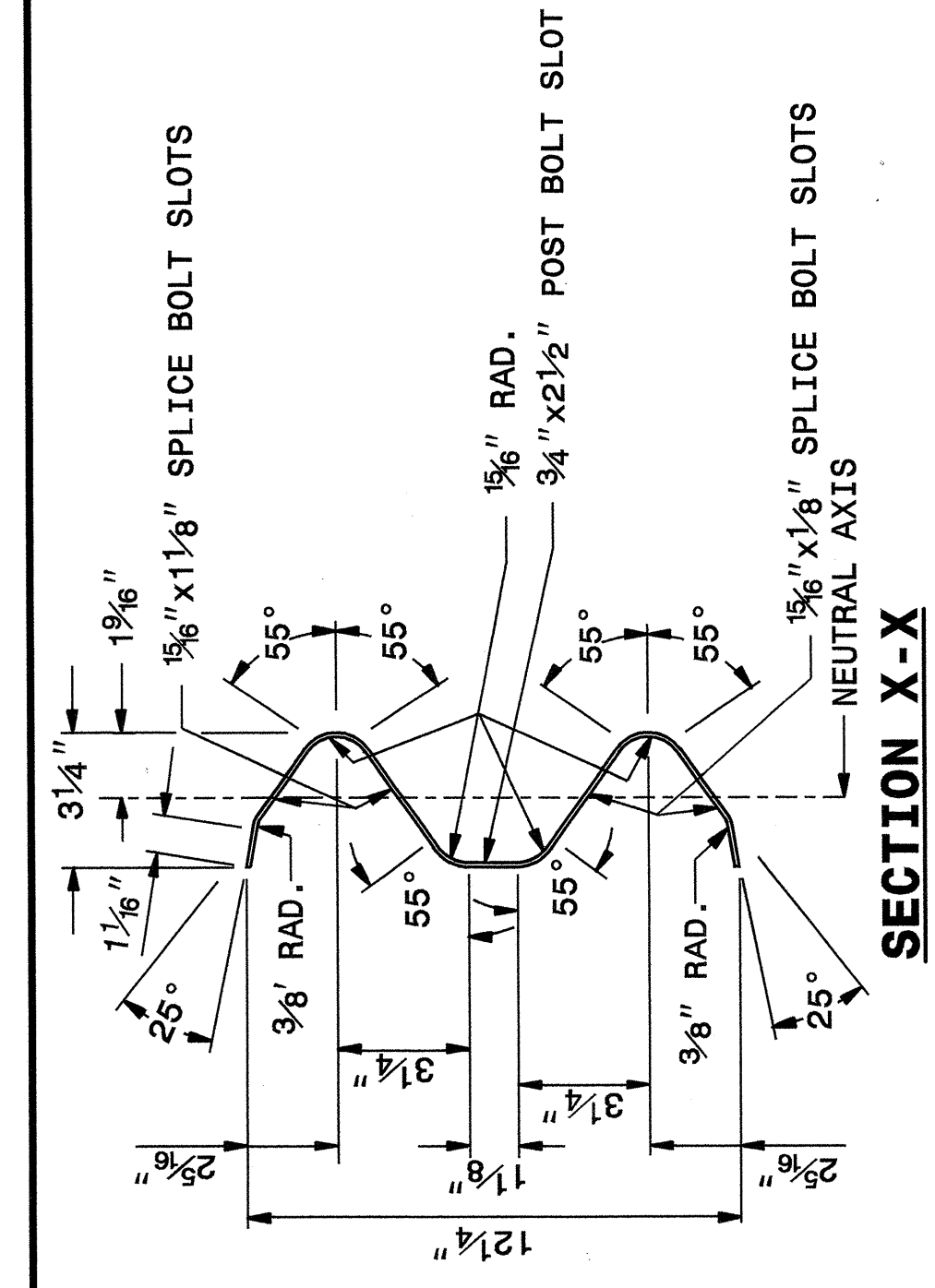
STATE OF NORTH CAROLINA
DEPT. OF TRANSPORTATION
RALEIGH, N.C.

SHEET 5 OF 7
862D02

STATE OF NORTH CAROLINA
DEPT. OF TRANSPORTATION
DIVISION OF HIGHWAYS
RALEIGH, N.C.

ENGLISH DETAIL DRAWING FOR
GUARDRAIL INSTALLATION

SHEET 6 OF 7
862D02



ENGLISH DETAIL DRAWING FOR
GUARDRAIL INSTALLATION

STATE OF NORTH CAROLINA
DEPT. OF TRANSPORTATION
RALEIGH, N.C.

SHEET 6 OF 7
862D02

DESIGN SERVICES UNIT
STANDARDS AND SPECIAL DESIGN
Office 919-250-4128 FAX 919-250-4119

SEE PLATE FOR TITLE

ORIGINAL BY: 2002 STD.862.02 DATE: _____
MODIFIED BY: E.E. WARD DATE: 02-09-03
CHECKED BY: *Joel S. Howerton* DATE: 4-29-04
FILE SPEC.: \\usr\stds\02\detail\english\86202\862d02.dgn

