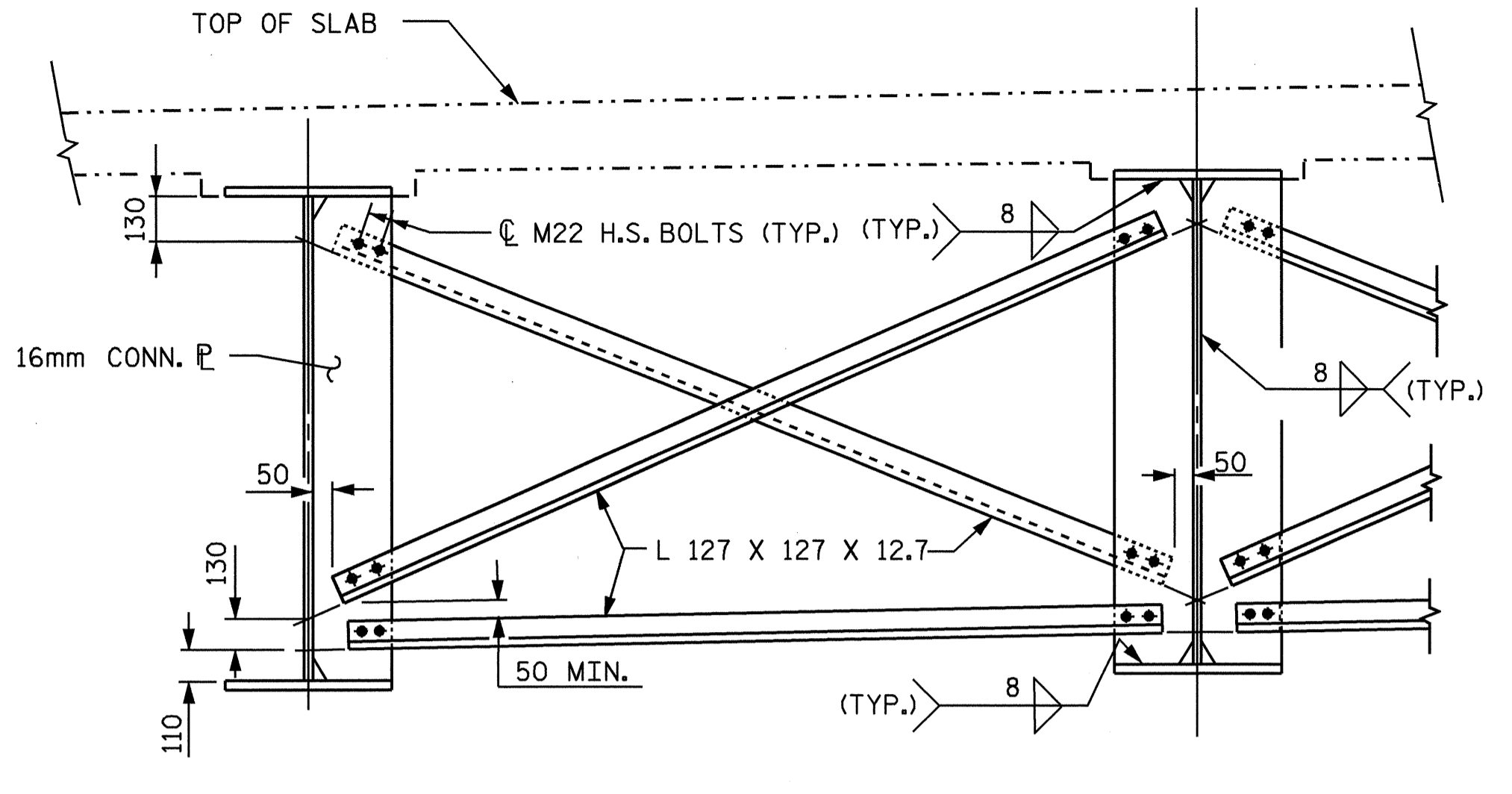
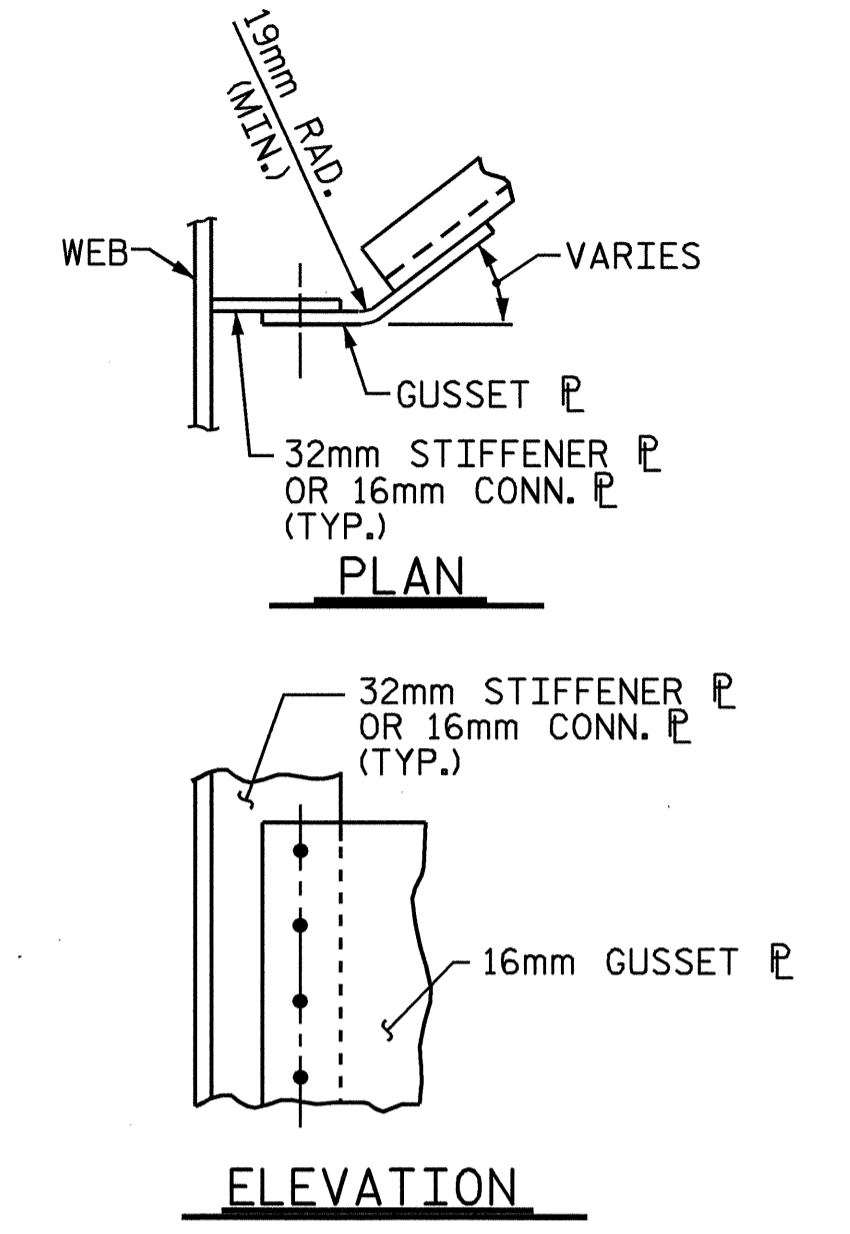


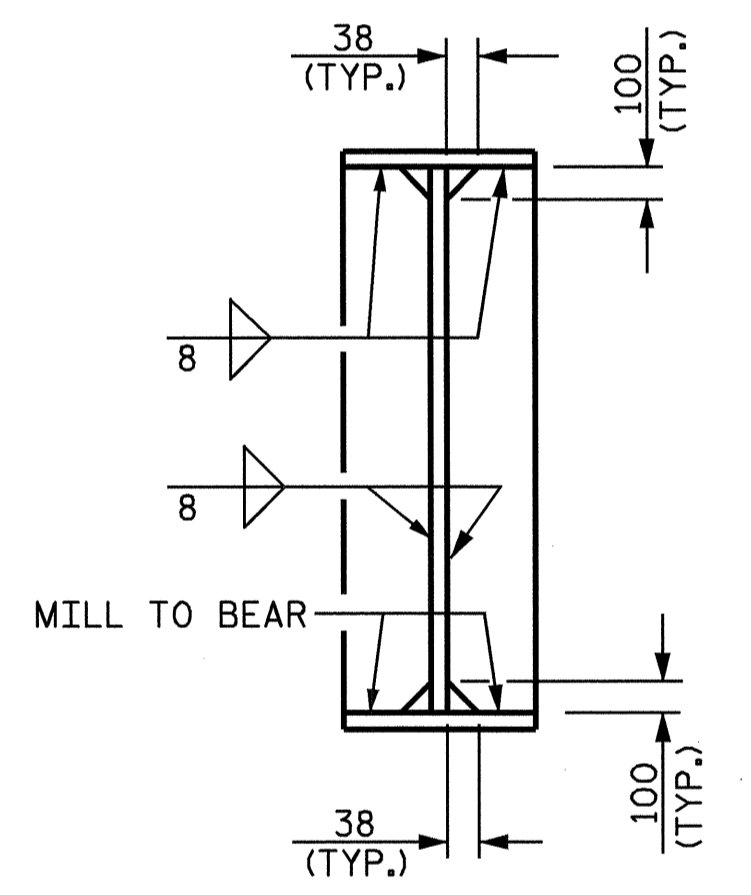
**END BENTS 1 & 2 DIAPHRAGM (D1)**



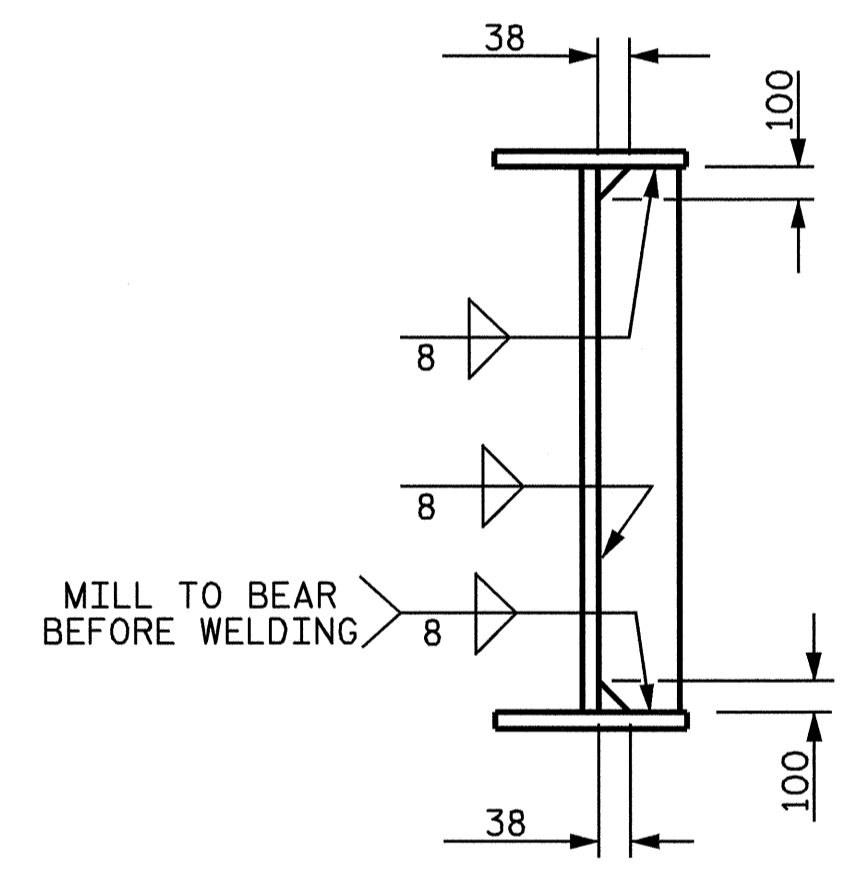
**BENT AND INTERMEDIATE DIAPHRAGM (D2)**



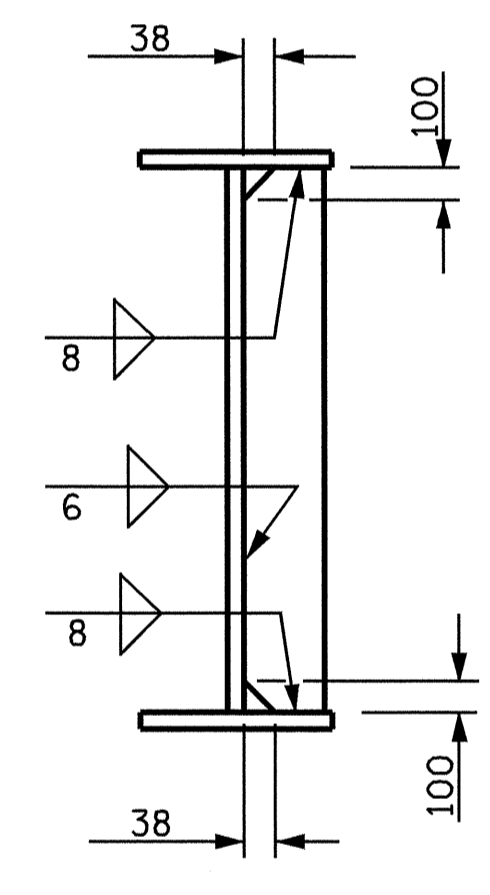
**GUSSET PLATE DETAILS**



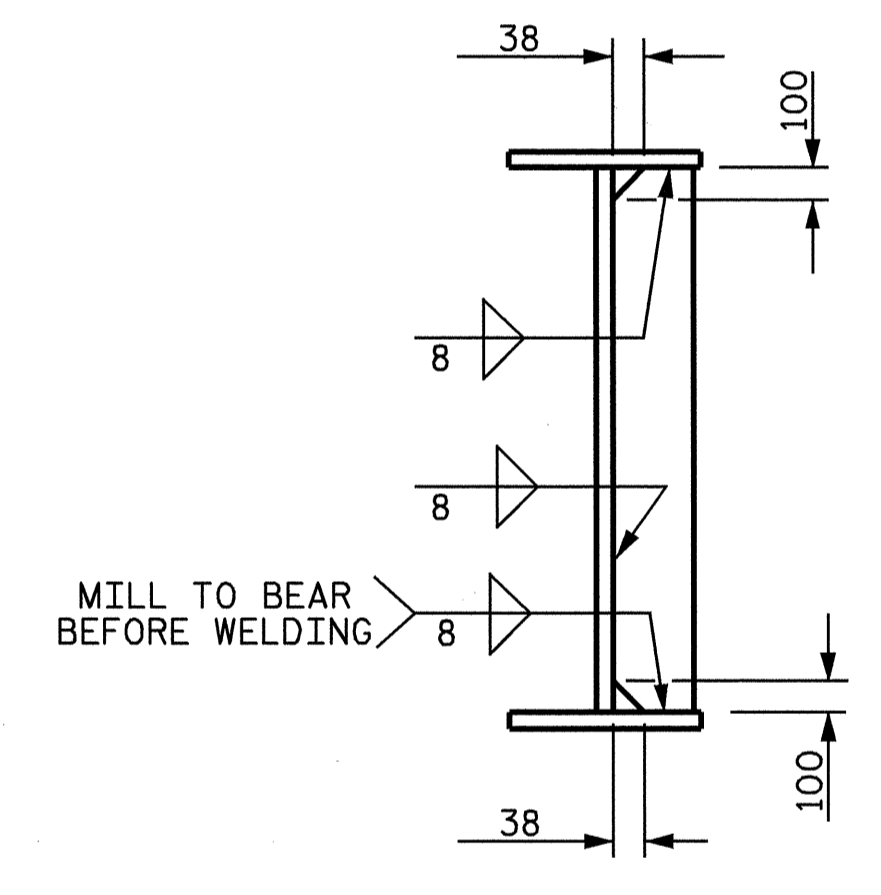
**BEARING STIFFENER**



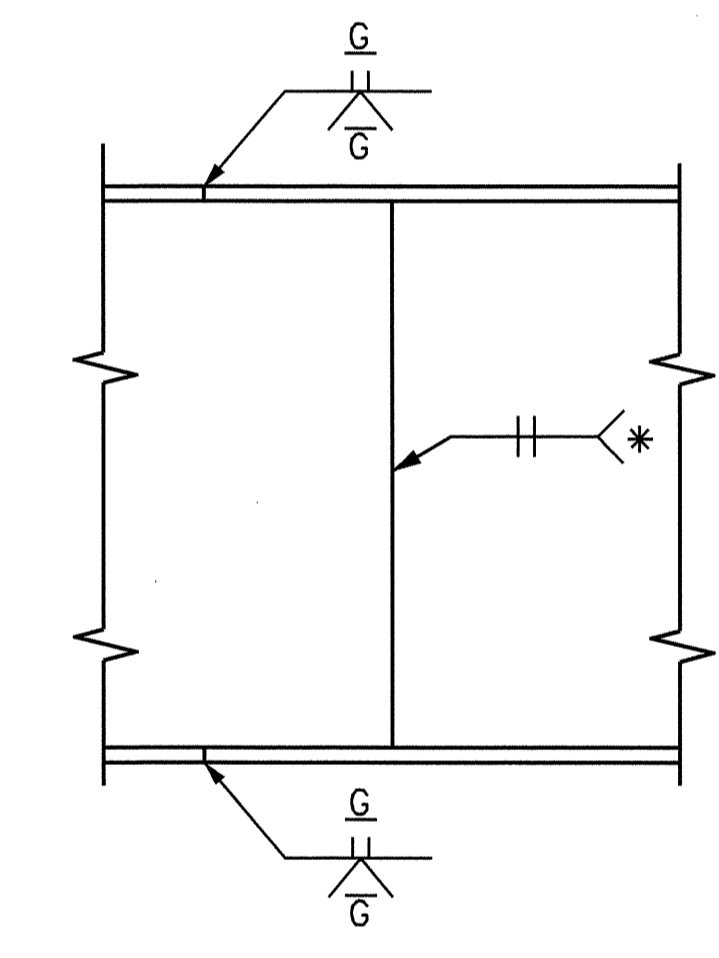
**BEARING STIFFENER / CONNECTOR PLATE**



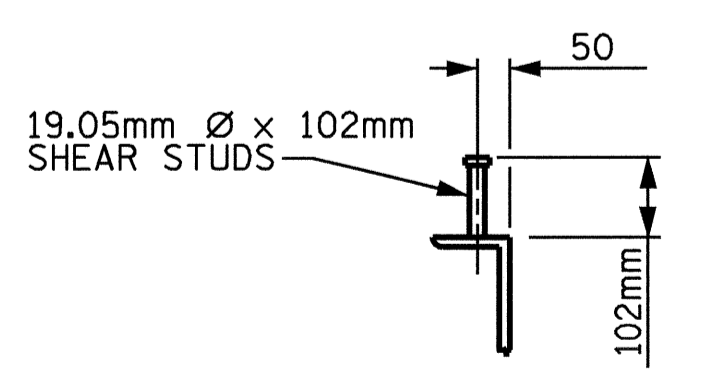
**CONNECTOR PLATE**



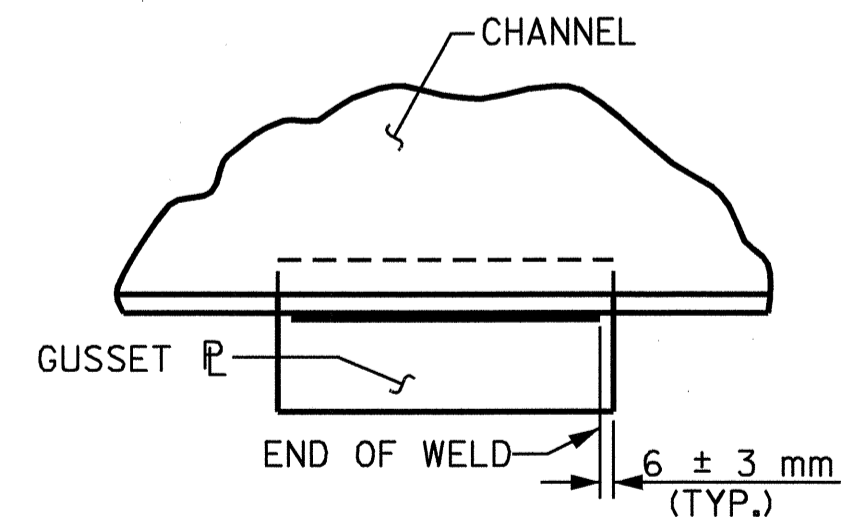
**TRANSVERSE STIFFENER**



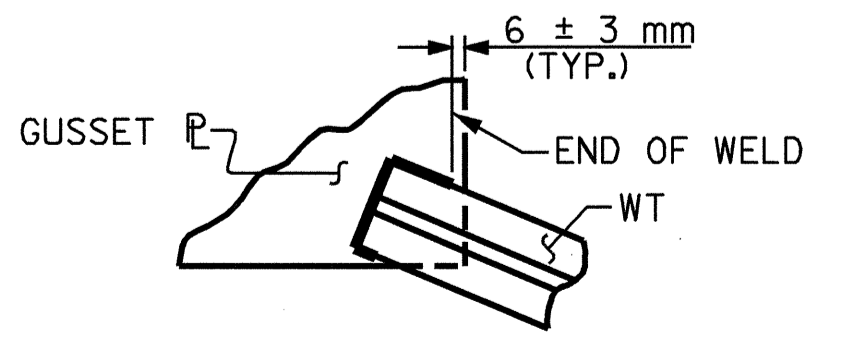
**PERMISSIBLE SHOP WEB SPLICE**  
\* GRIND SMOOTH AND FLUSH ON OUTSIDE OF EXTERIOR GIRDERS



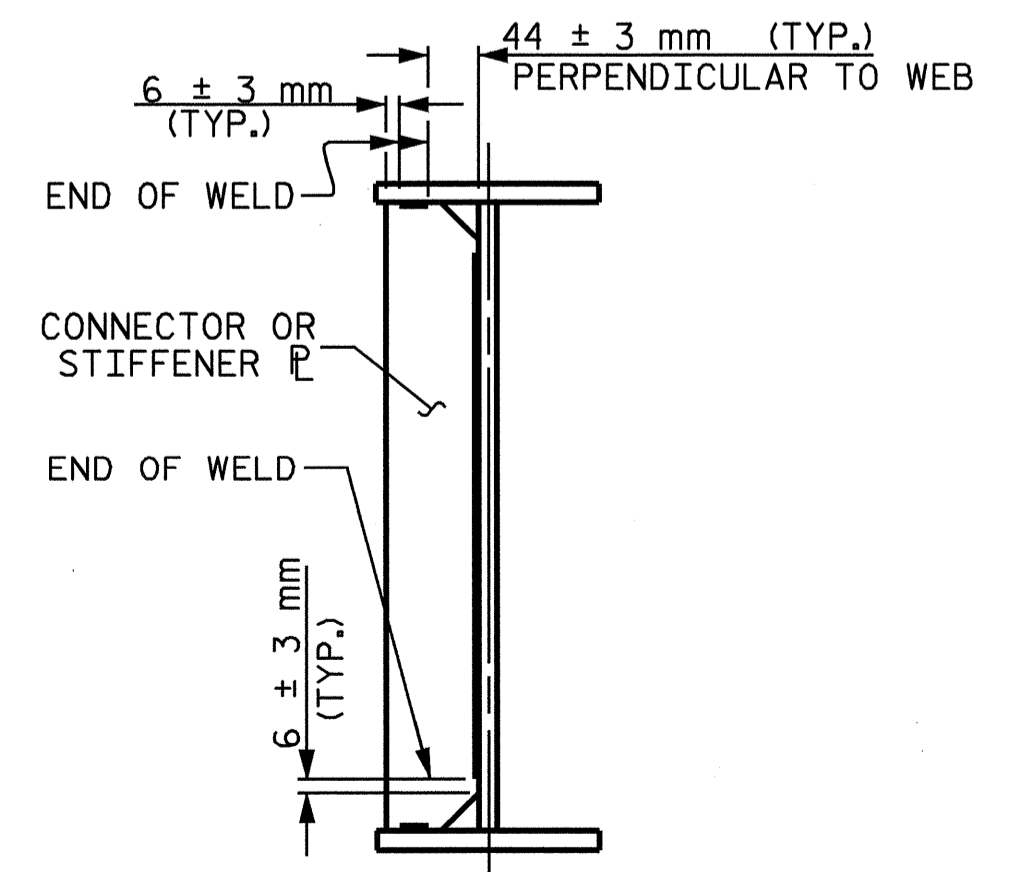
**SHEAR STUD DETAIL FOR MC460x86**



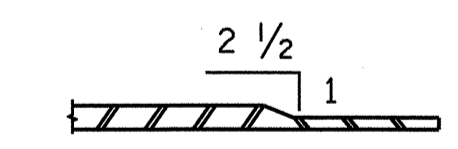
**TYPICAL GUSSET PLATE CONNECTION**



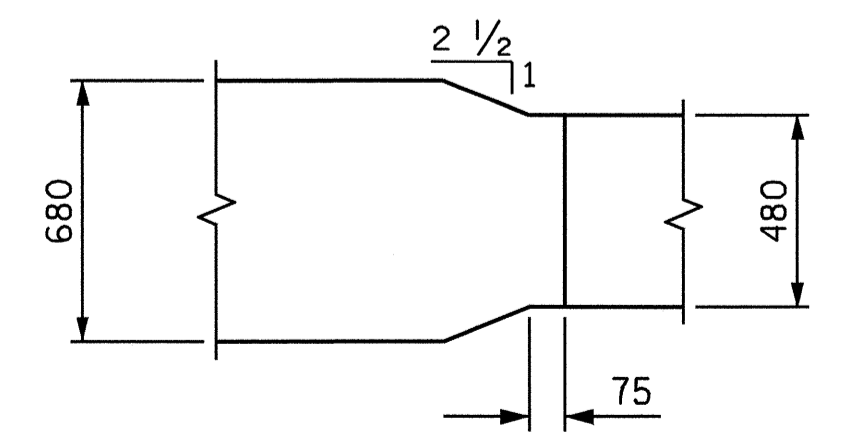
**TYPICAL "TEE" TO GUSSET PLATE CONNECTION**



**TYPICAL STIFFENER OR CONNECTOR PLATE CONNECTIONS**



**SECTION THRU FLANGE**



**PLAN - FLANGE SPLICE**

NORTH CAROLINA PROFESSIONAL SEAL 16301 ENGINEER TING HSILANG FANG  
Ting H. Fang  
8/24/04

PROJECT NO. R-513A  
ROBESON COUNTY  
STATION: 18+64.065 -L-

SHEET 3 OF 5

STATE OF NORTH CAROLINA  
DEPARTMENT OF TRANSPORTATION  
RALEIGH  
**SUPERSTRUCTURE  
STRUCTURAL STEEL  
DETAILS**

REVISIONS						SHEET NO. S-11
NO.	BY:	DATE:	NO.	BY:	DATE:	
1			3			TOTAL SHEETS 172
2			4			