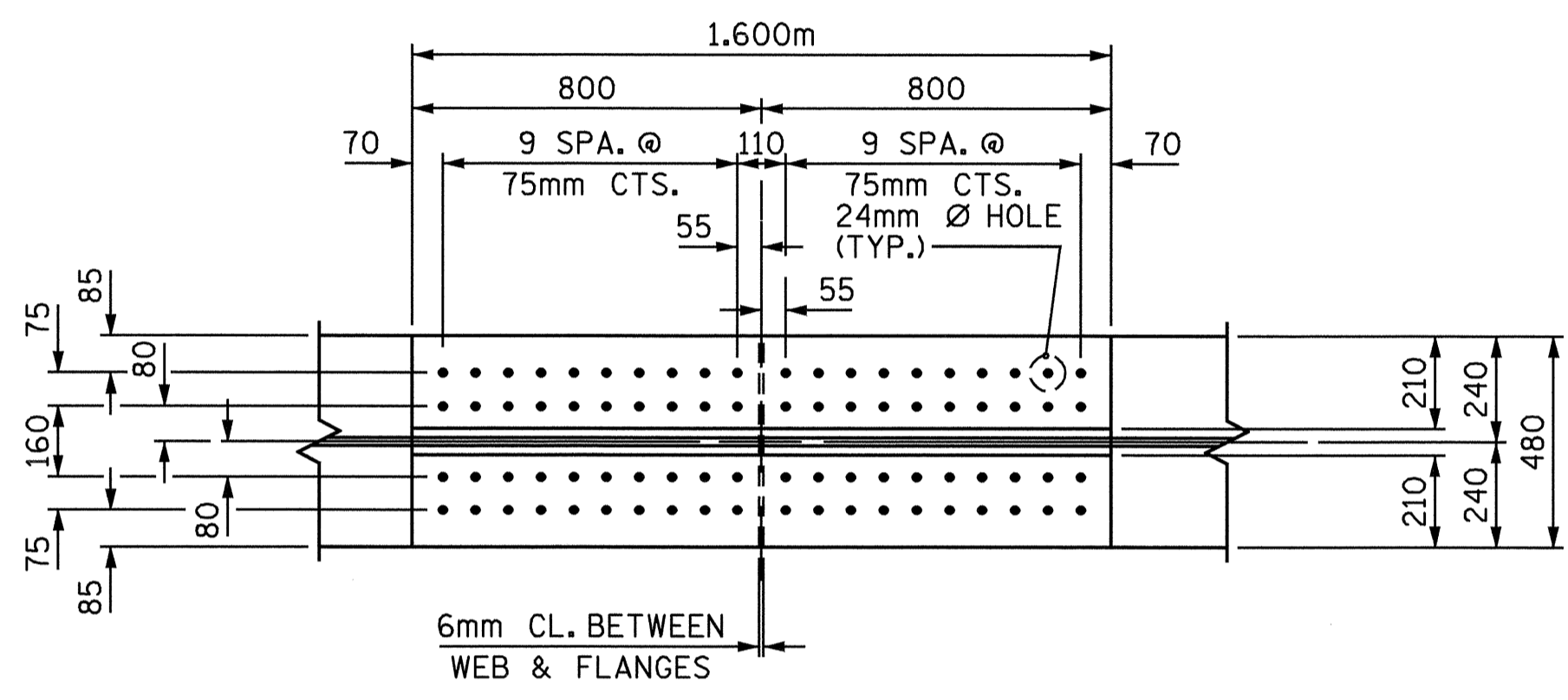
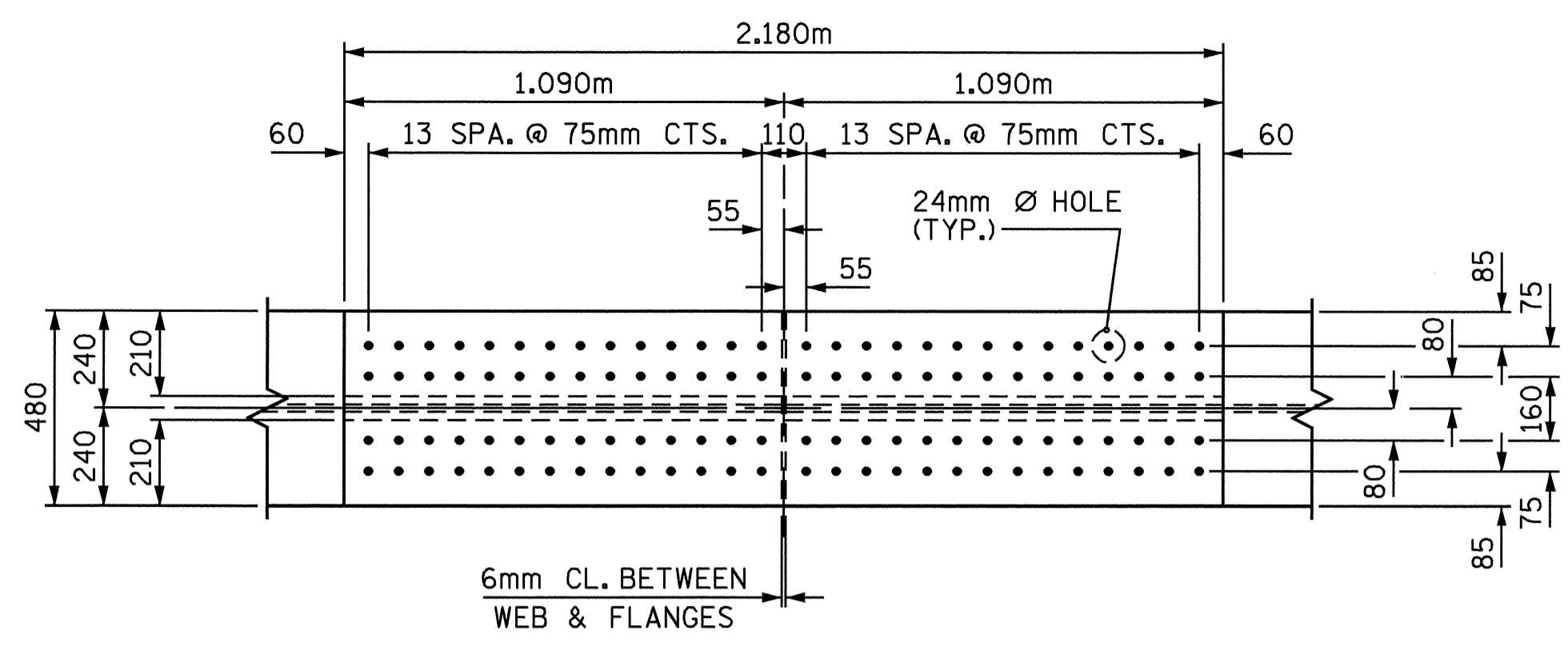


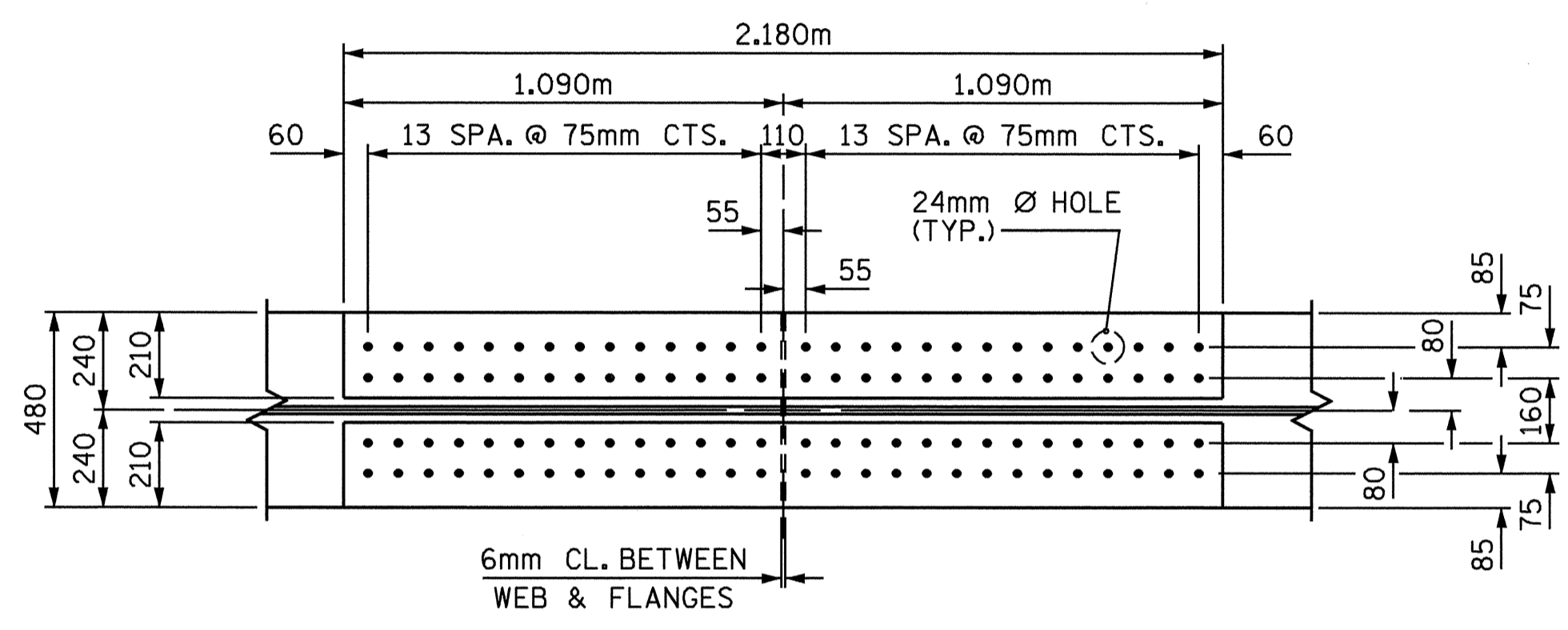
PLAN OF TOP FLANGE
TOP OF TOP FLANGE SHOWN.



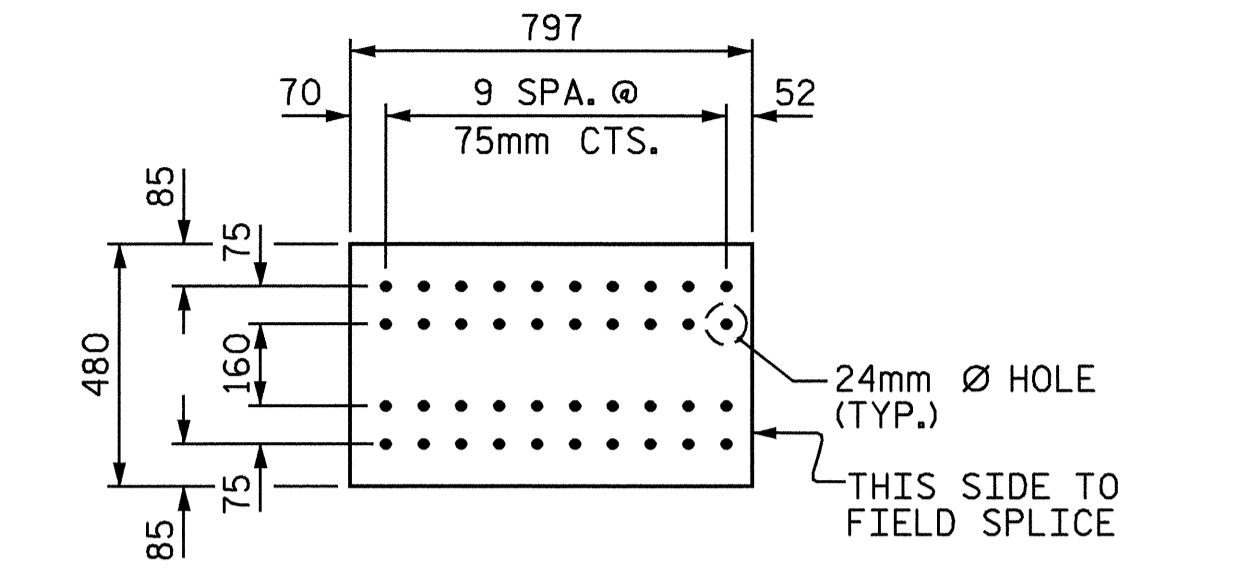
PLAN OF TOP FLANGE
BOTTOM OF TOP FLANGE SHOWN.



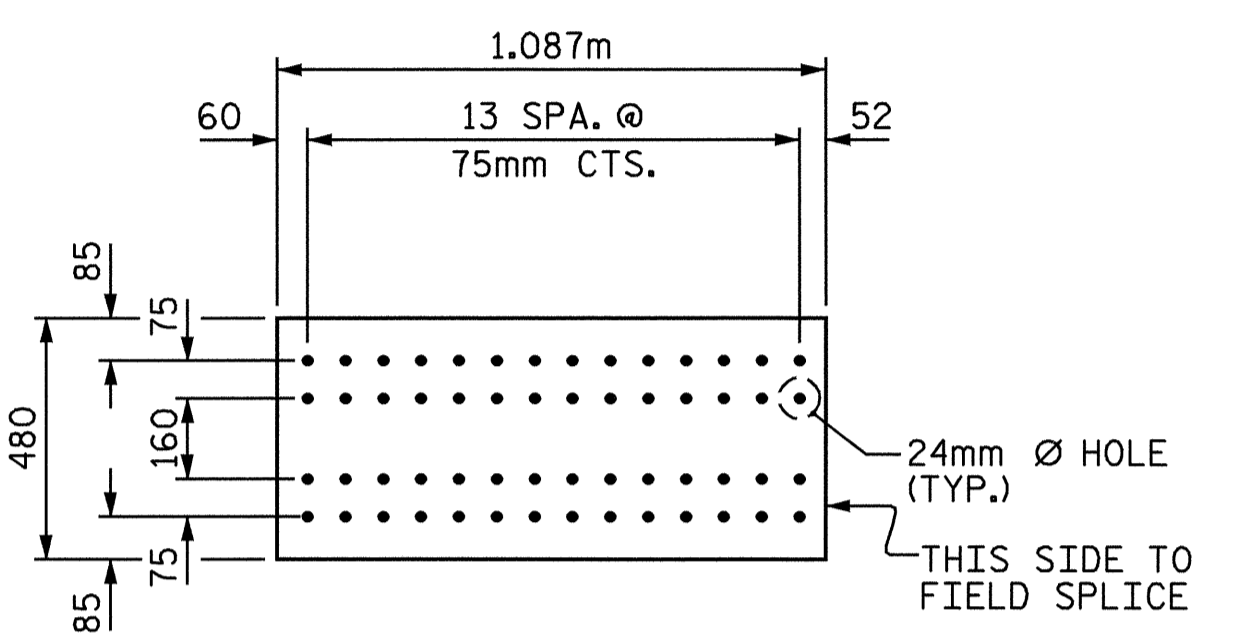
PLAN OF BOTTOM FLANGE
BOTTOM OF BOTTOM FLANGE SHOWN.



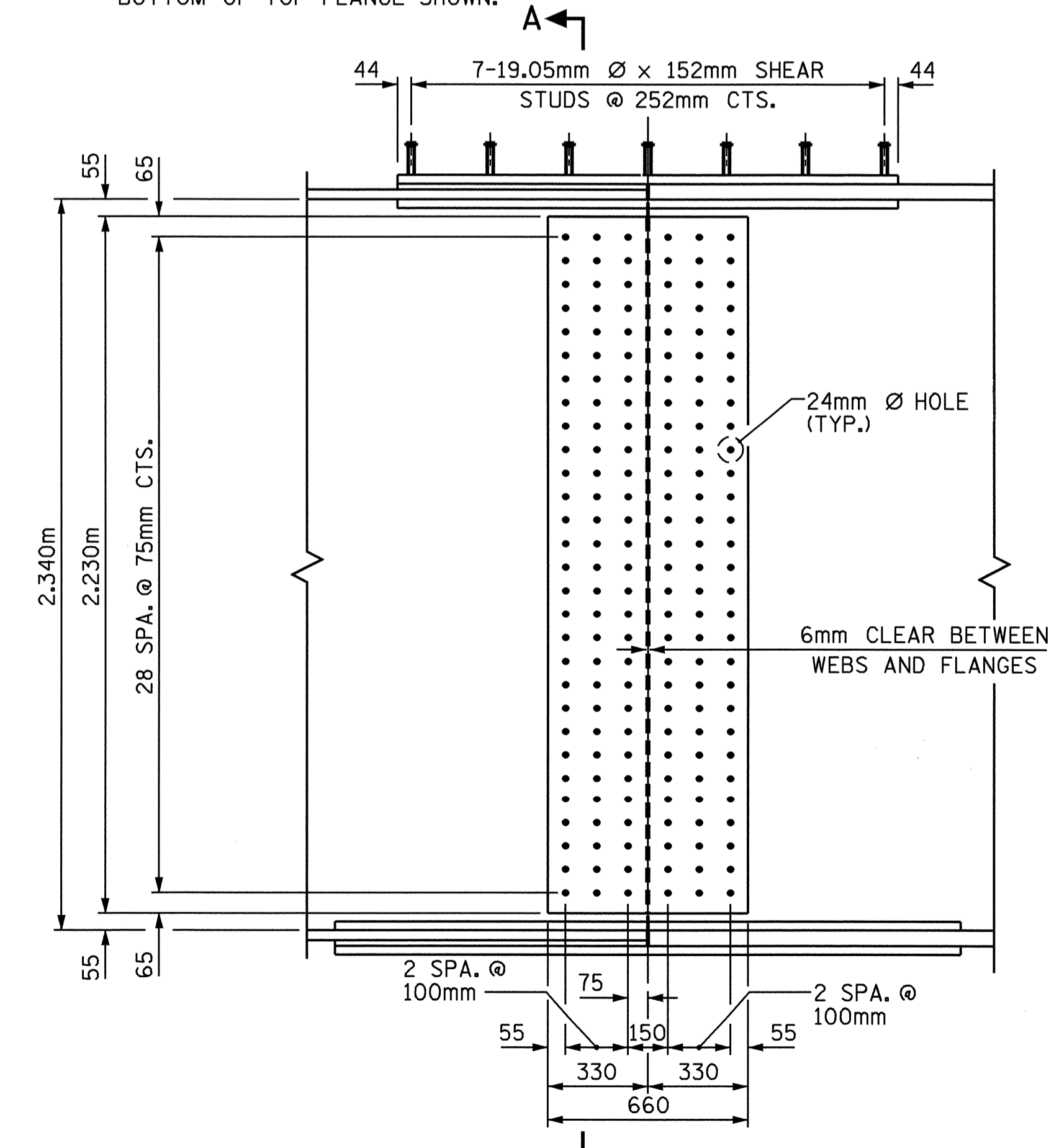
PLAN OF BOTTOM FLANGE
TOP OF BOTTOM FLANGE SHOWN.



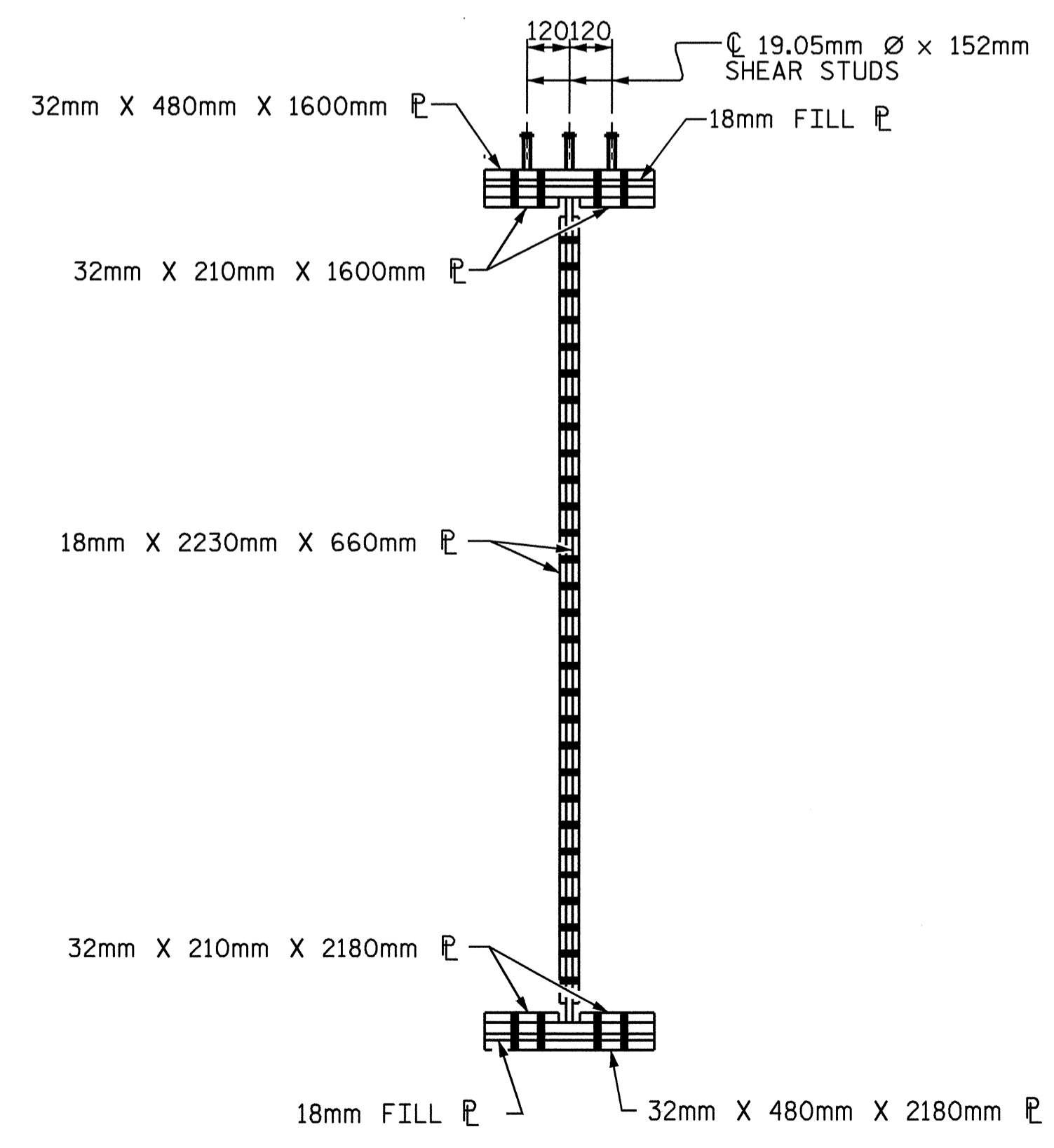
AT TOP FLANGE



AT BOTTOM FLANGE
FILL PLATE DETAILS



ELEVATION



SECTION A-A



Ting H. Jang
9/15/04

PROJECT NO. R-513A
ROBESON COUNTY
STATION: 18+64.065 -L-

SHEET 4 OF 5

STATE OF NORTH CAROLINA
DEPARTMENT OF TRANSPORTATION
RALEIGH
SUPERSTRUCTURE
STRUCTURAL STEEL
BOLTED FIELD SPLICE
DETAILS (TYPE I)

REVISIONS						SHEET NO.	
NO.	BY:	DATE:	NO.	BY:	DATE:	TOTAL SHEETS	
1			3			5-12	
2			4			172	

DRAWN BY: T.A. WALTER DATE: 8/12/03
CHECKED BY: N.O. TRAN DATE: 7/03