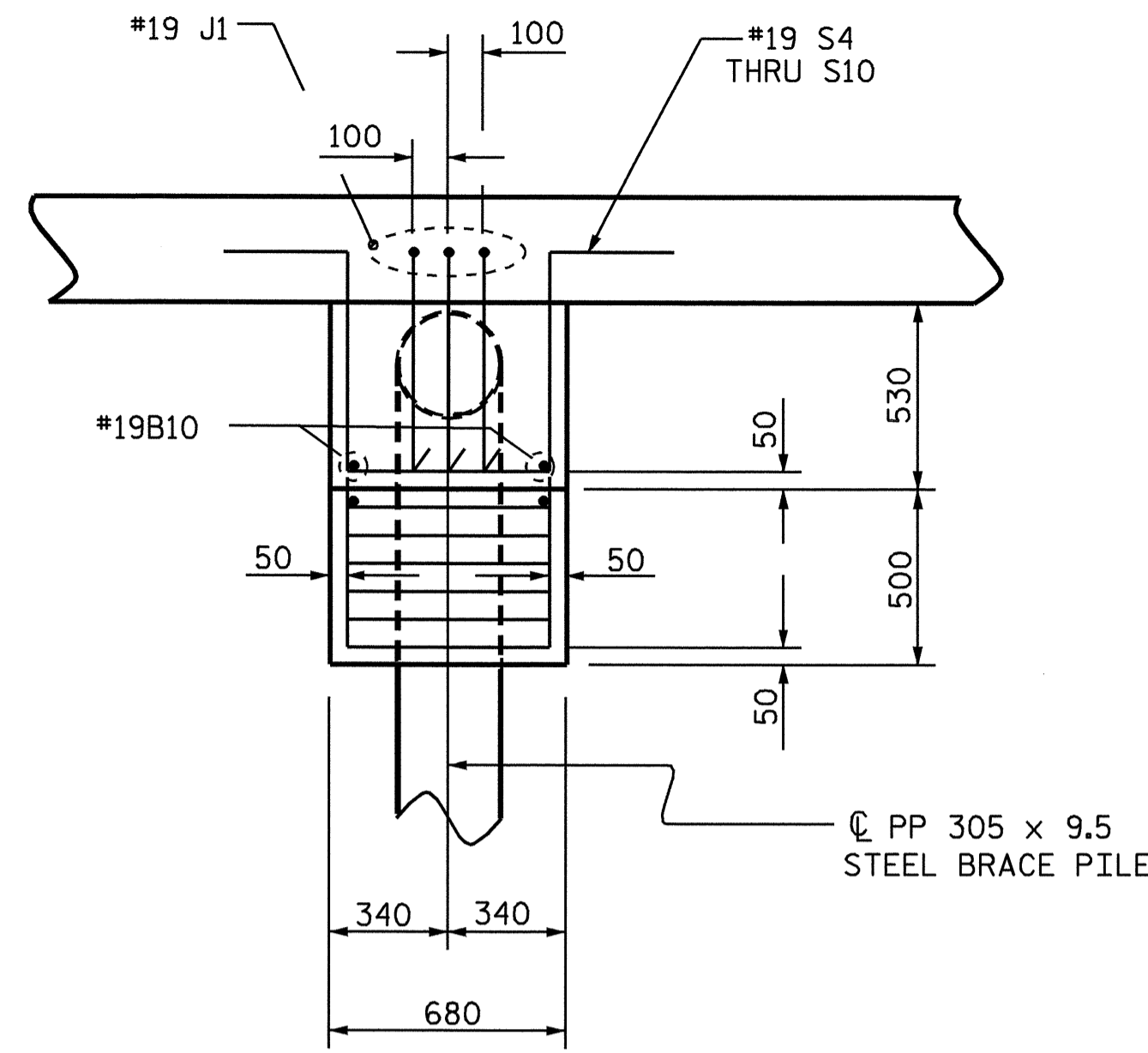
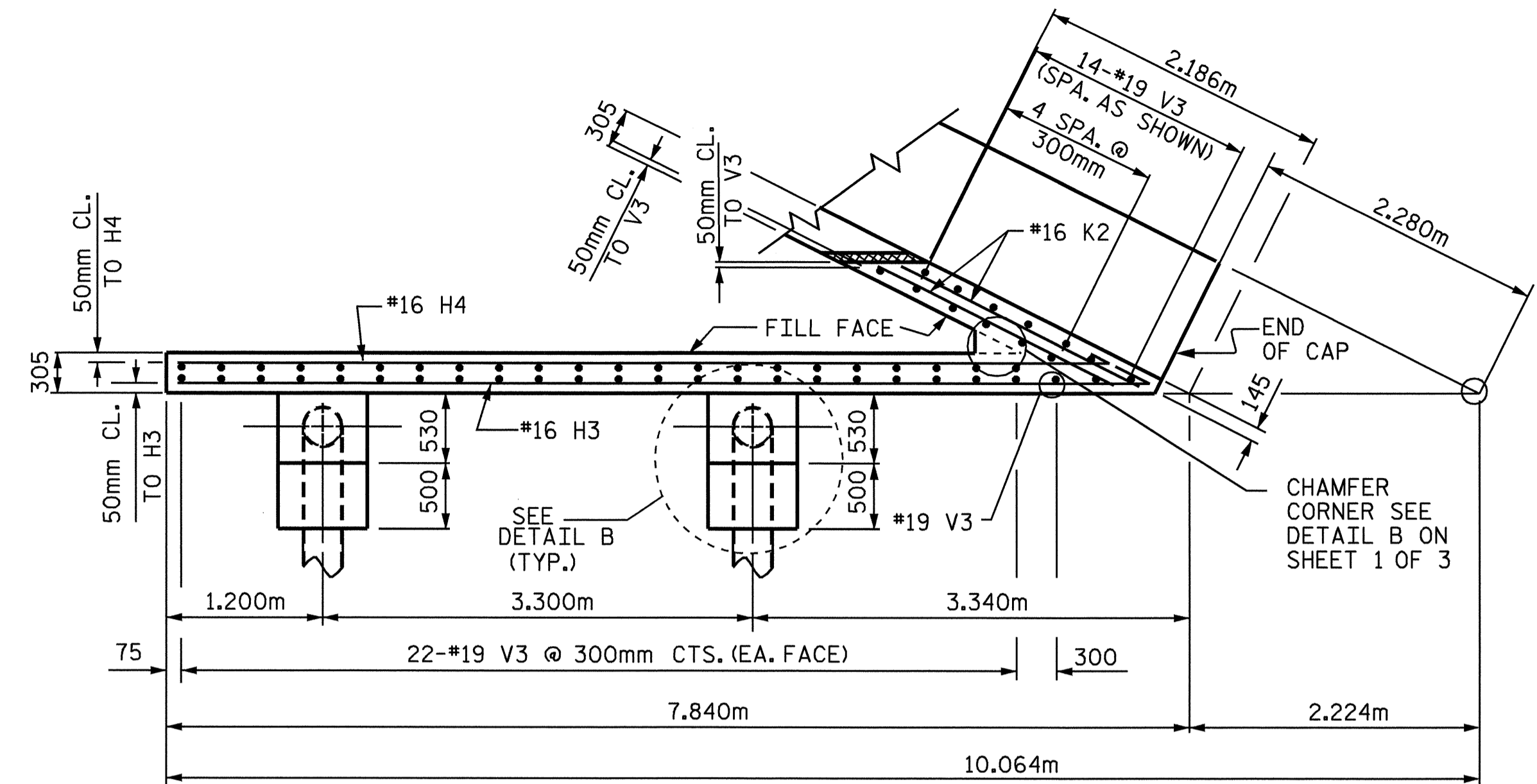


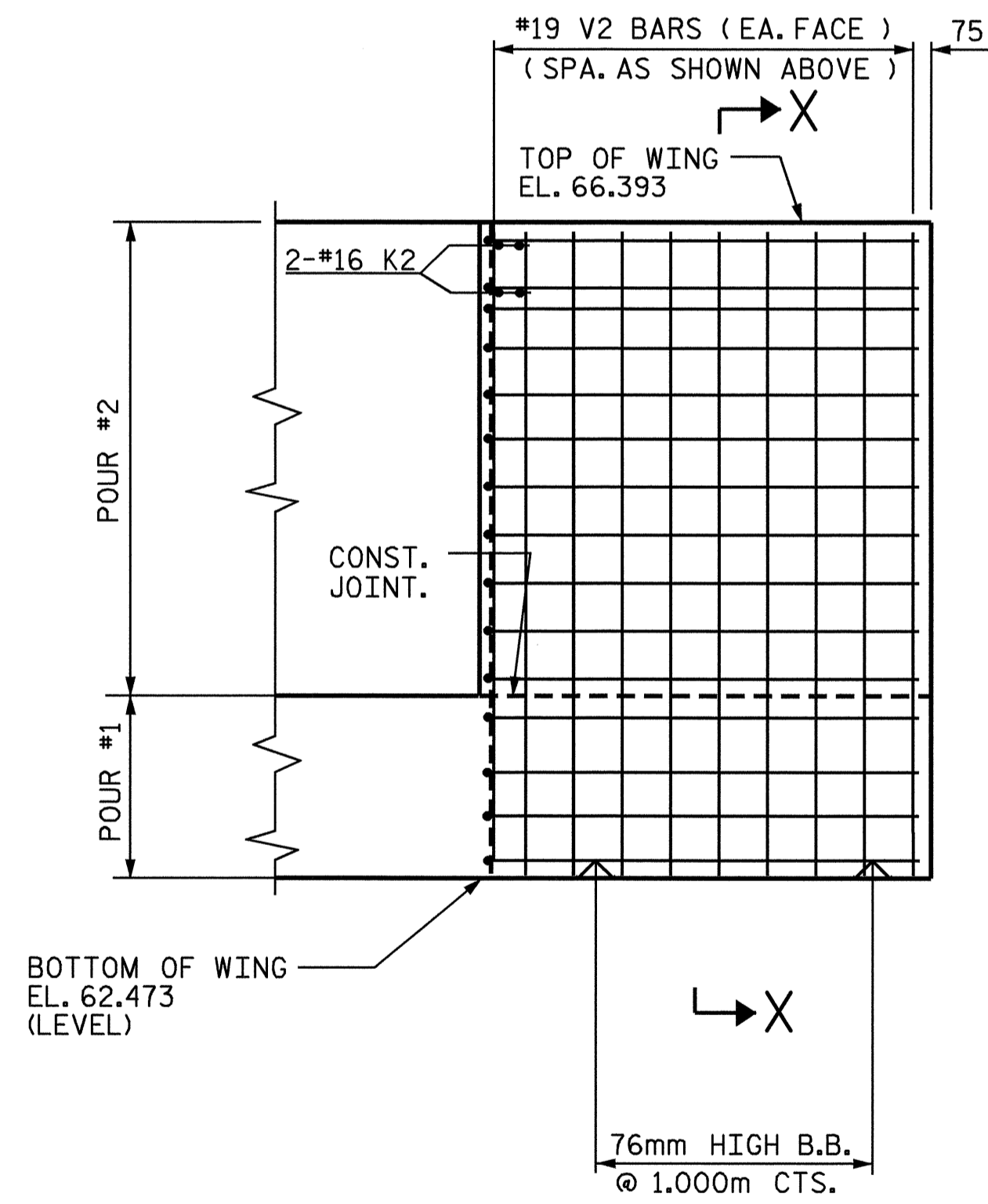
PLAN OF WING - W1



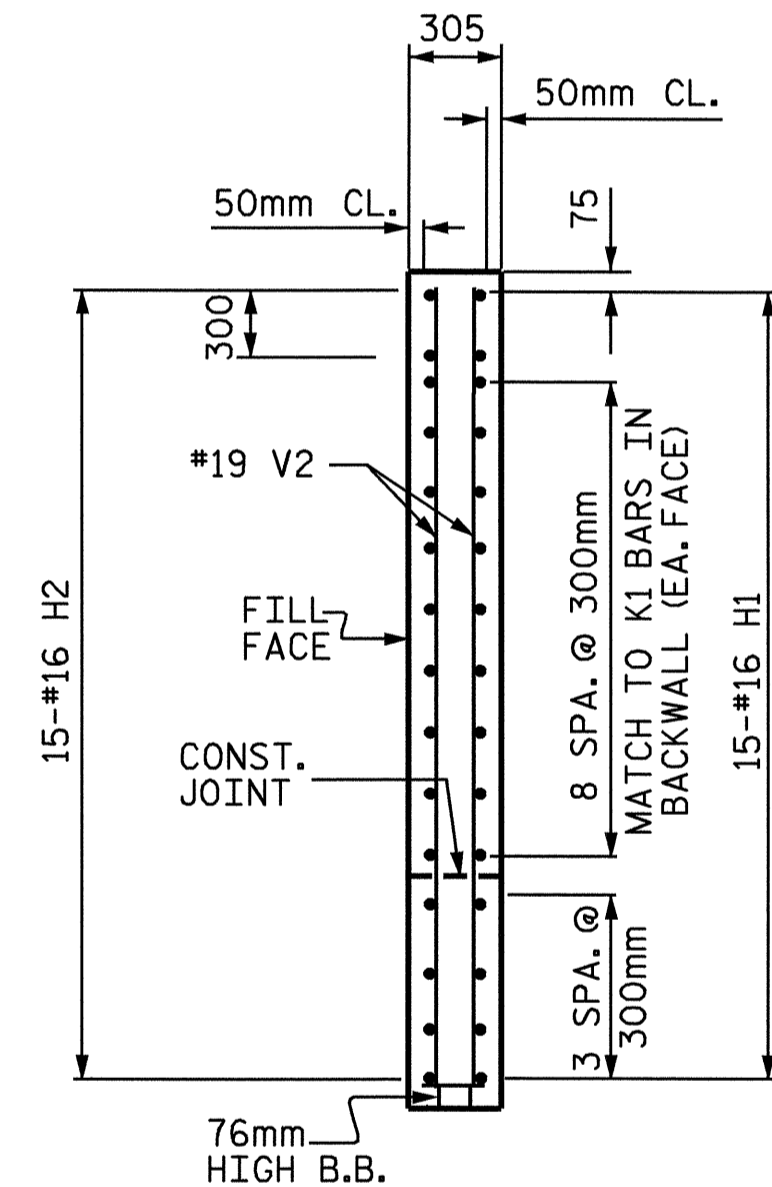
DETAIL B



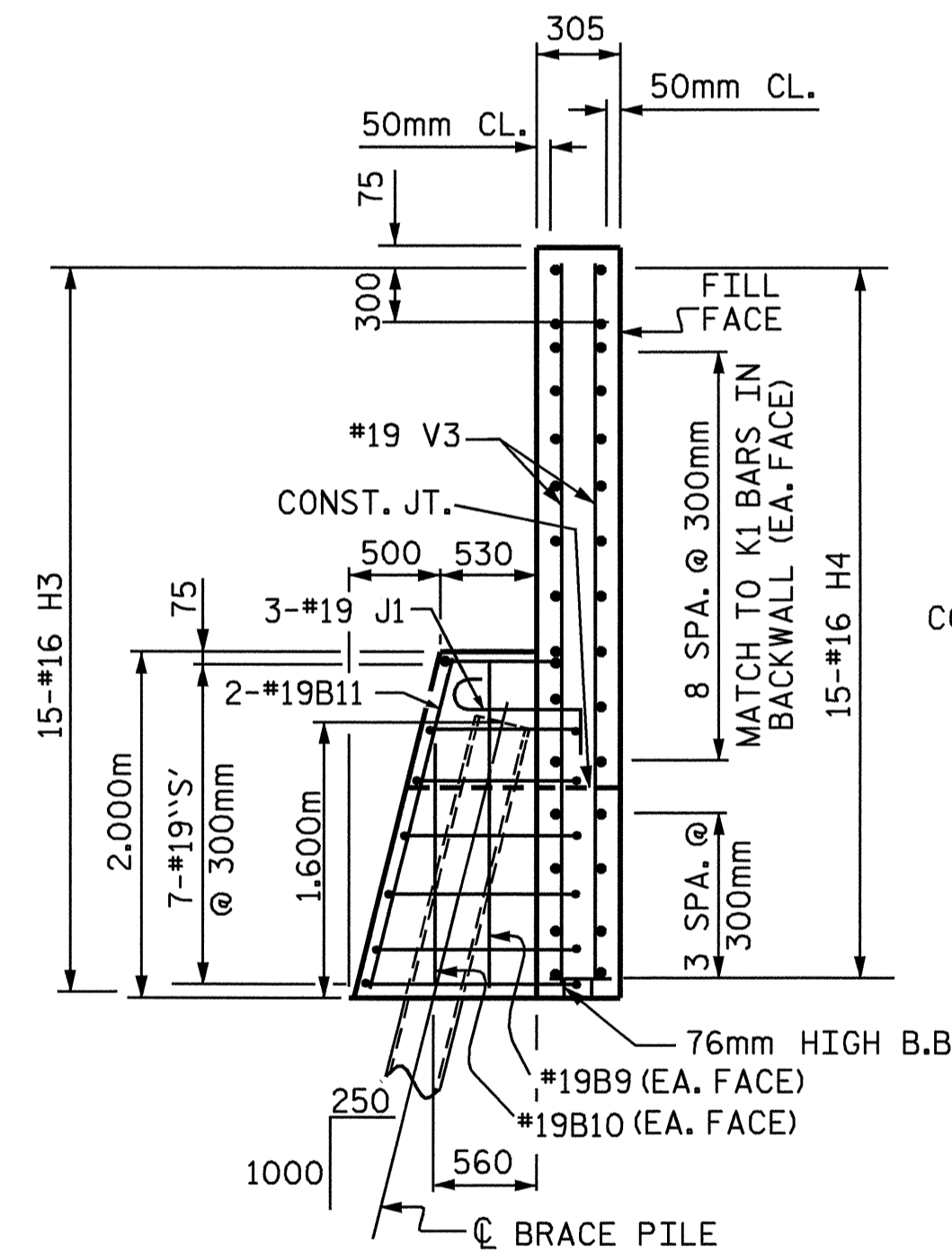
PLAN OF WING - W2



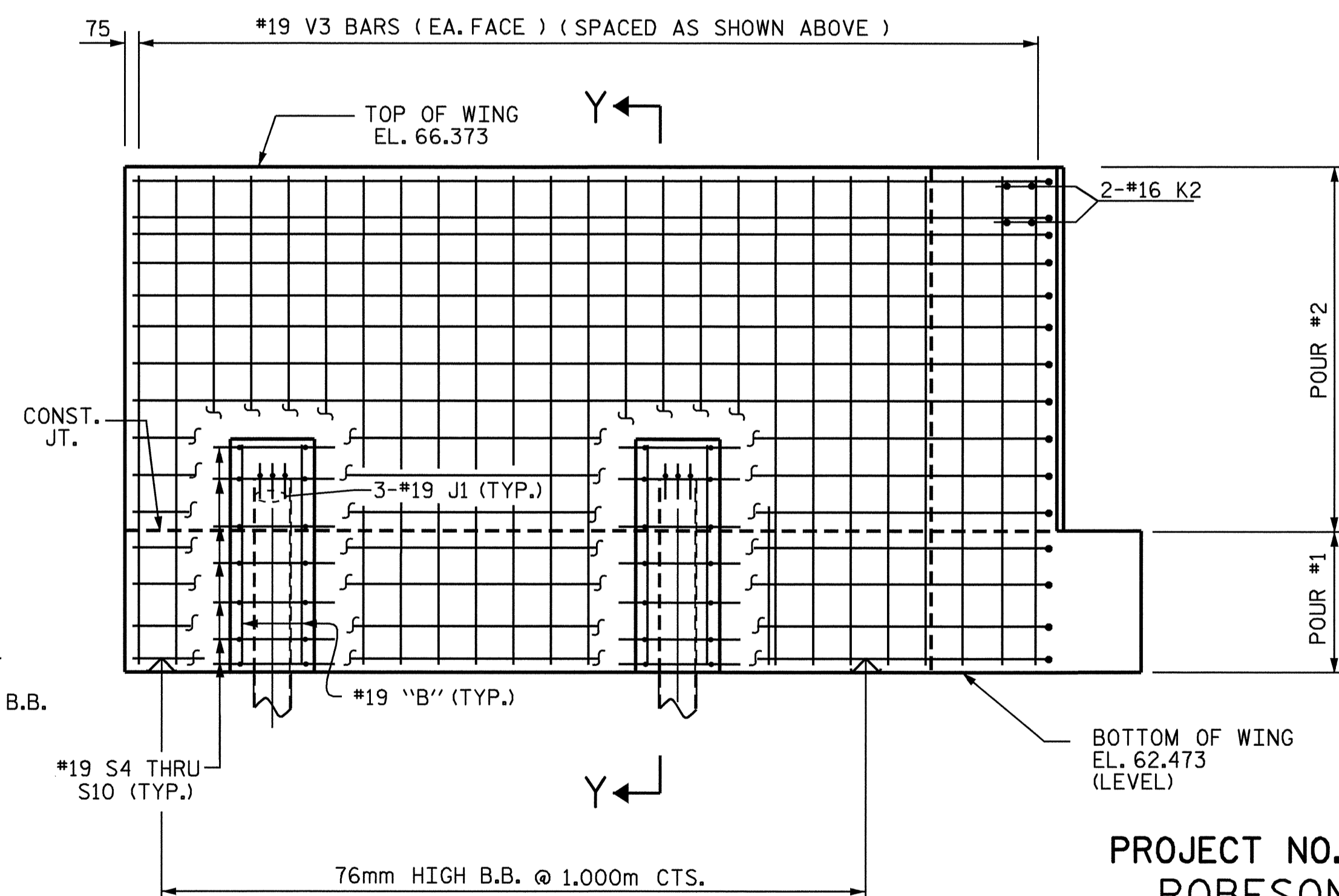
ELEVATION OF WING - W1



SECTION X-X



SECTION Y-Y



ELEVATION OF WING - W2

PROJECT NO. R-513A
 ROBESON COUNTY
 STATION: 18+64.065 -L-

SHEET 2 OF 3

STATE OF NORTH CAROLINA
 DEPARTMENT OF TRANSPORTATION
 RALEIGH

SUBSTRUCTURE
 END BENT 1

Professional Engineer Seal for Ting H. Jiang, No. 16301, dated 10/5/04.

| REVISIONS | | | | | | SHEET NO. S-24 |
|-----------|-----|-------|-----|-----|-------|---------------------|
| NO. | BY: | DATE: | NO. | BY: | DATE: | |
| 1 | | | 3 | | | TOTAL SHEETS 172 |
| 2 | | | 4 | | | |

DRAWN BY: N. Q. TRAN DATE: MAY-03
 CHECKED BY: M. A. ALLEN DATE: 3-04

04-OCT-2004 11:17
 W:\SquadM\0513a\str1\Ntran\MlcomB\wka\513a01eb.dwg

STR. #1