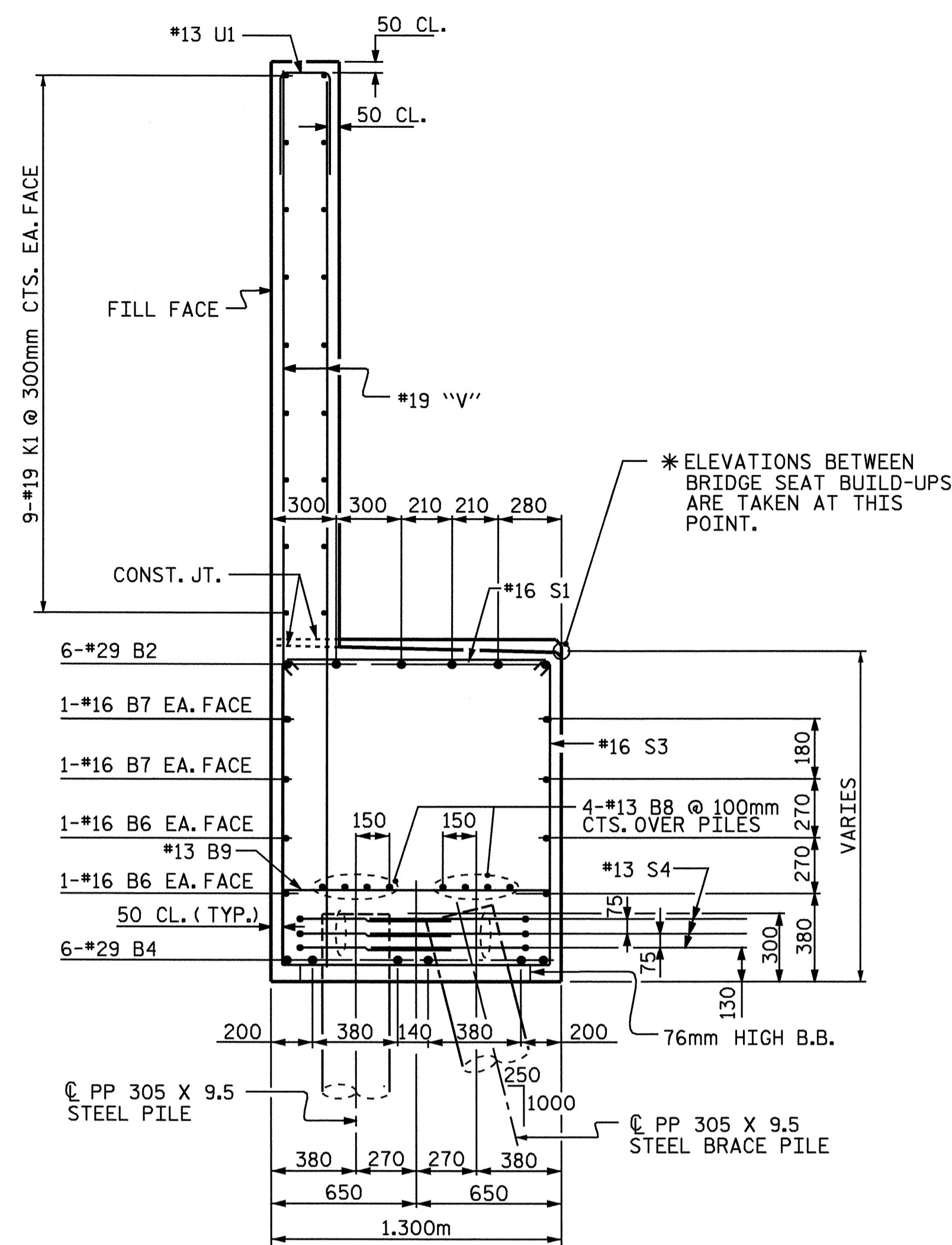
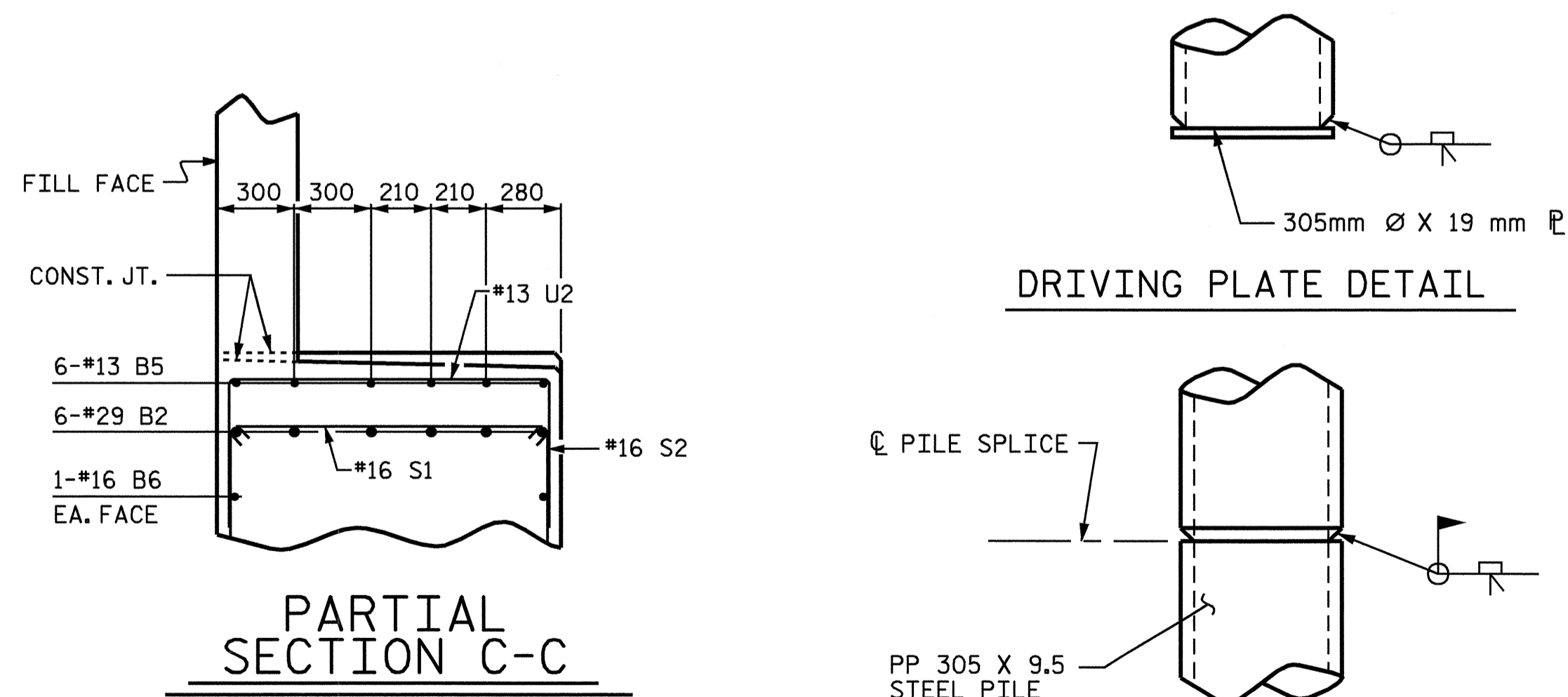


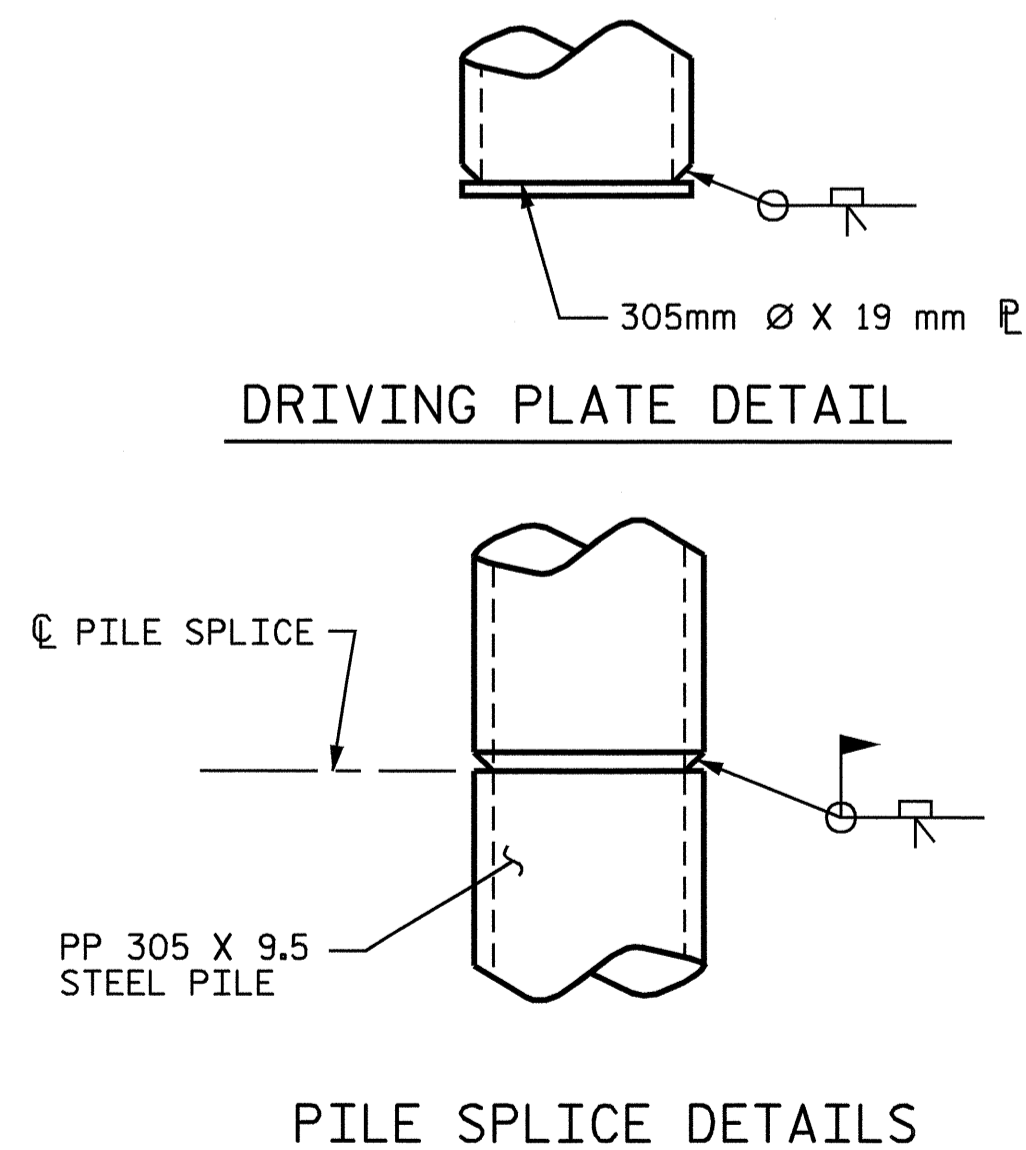
SECTION A-A



SECTION B-B

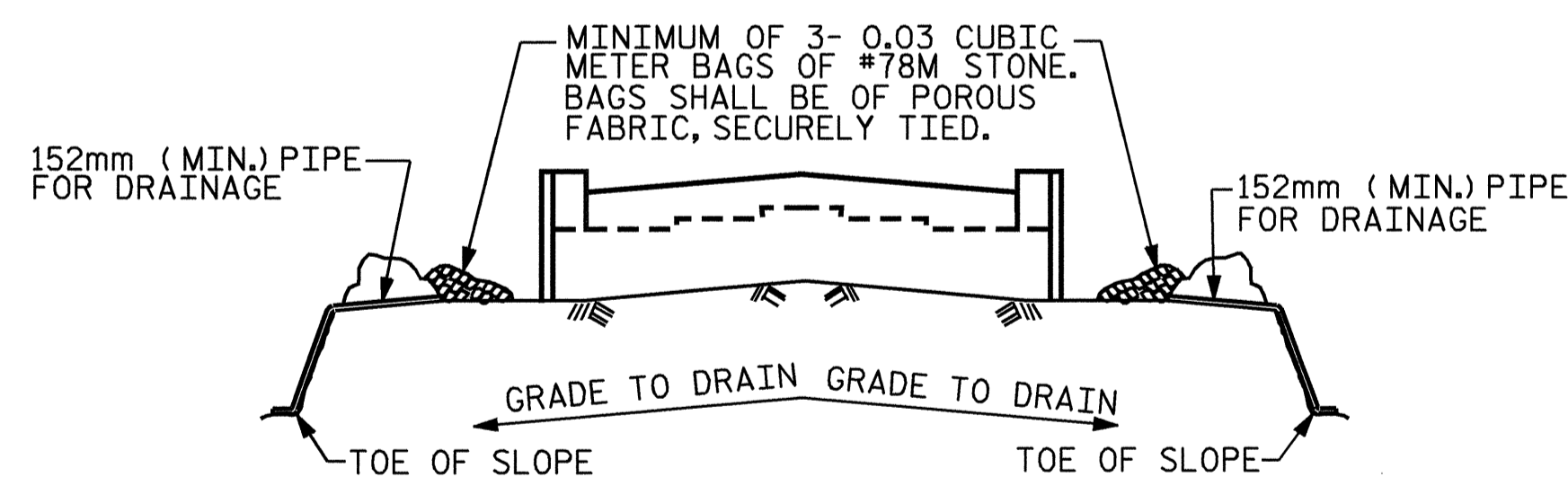


PARTIAL SECTION C-C



DRIVING PLATE DETAIL

PILE SPLICE DETAILS



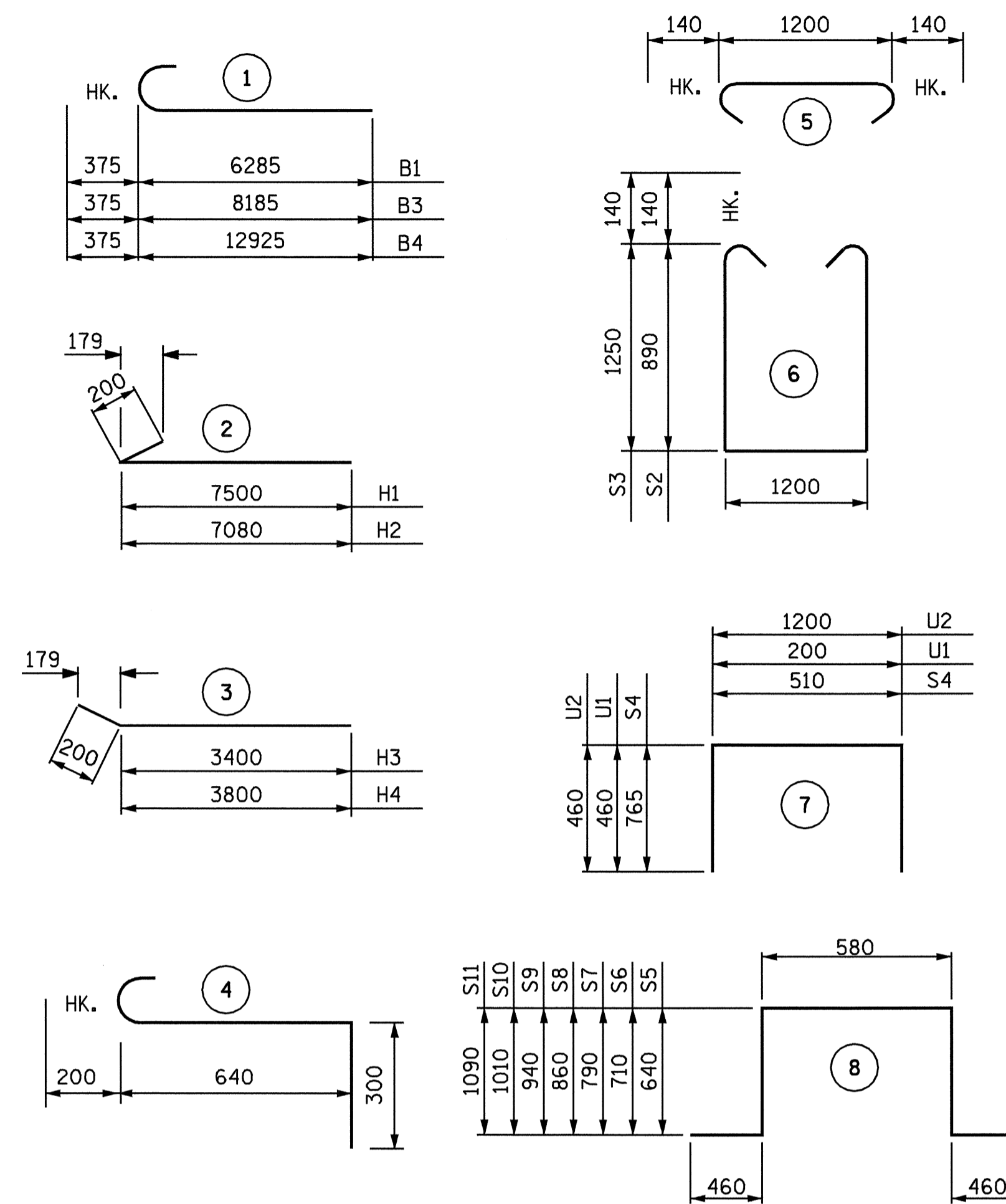
BAGGED STONE AND PIPE SHALL BE PLACED IMMEDIATELY AFTER COMPLETION OF END BENT EXCAVATION. PIPE MAY BE EITHER CONCRETE, CORRUGATED STEEL, CORRUGATED ALUMINUM ALLOY, OR CORRUGATED PLASTIC. PERFORATED PIPE WILL NOT BE ALLOWED.

BAGGED STONE SHALL REMAIN IN PLACE UNTIL THE ENGINEER DIRECTS THAT IT BE REMOVED. THE CONTRACTOR SHALL REMOVE AND DISPOSE OF SILT ACCUMULATIONS AT BAGGED STONE WHEN SO DIRECTED BY THE ENGINEER. BAGS SHALL BE REMOVED AND REPLACED WHENEVER THE ENGINEER DETERMINES THAT THEY HAVE DETERIORATED AND LOST THEIR EFFECTIVENESS.

NO SEPARATE PAYMENT WILL BE MADE FOR THIS WORK AND THE ENTIRE COST OF THIS WORK SHALL BE INCLUDED IN THE UNIT CONTRACT PRICE FOR THE SEVERAL PAY ITEMS.

TEMPORARY DRAINAGE AT END BENT

BAR TYPES



ALL BAR DIMENSIONS ARE OUT TO OUT.

BILL OF MATERIAL

END BENT 2

BAR	NO	SIZE	TYPE	LENGTH	WEIGHT
B1	6	29	1	6660	202
B2	18	29	STR	18000	1639
B3	6	29	1	8560	260
B4	12	29	1	13300	808
B5	6	13	STR	8340	50
B6	12	16	STR	13960	260
B7	6	16	STR	15080	140
B8	48	13	STR	7280	347
B9	37	13	STR	1200	44
B10	6	19	STR	1900	25
B11	6	19	STR	1340	18
B12	6	19	STR	1940	26
H1	16	16	2	7680	191
H2	16	16	2	7280	181
H3	15	16	3	3600	84
H4	15	16	3	4000	93
J1	9	19	4	1140	23
K1	54	19	STR	14120	1704
K2	8	16	STR	1900	24
S1	151	16	5	1480	347
S2	73	16	6	3260	369
S3	78	16	6	3980	482
S4	102	13	7	2040	207
S5	3	19	8	2780	19
S6	3	19	8	2920	20
S7	3	19	8	3080	21
S8	3	19	8	3220	22
S9	3	19	8	3380	23
S10	3	19	8	3520	24
S11	3	19	8	3680	25
U1	120	13	7	1120	134
U2	26	13	7	2120	55
V1	98	19	STR	3860	845
V2	46	19	STR	3700	380
V3	48	19	STR	3540	380
V4	48	19	STR	3380	363
V5	60	19	STR	4120	552
V6	35	19	STR	3680	288

REINFORCING STEEL kg 10675

CLASS A CONCRETE BREAKDOWN

POUR #1: (CAP AND LOWER PORTION OF WINGS)	70.6 m ³
POUR #2: (BACKWALL AND UPPER PORTION OF WINGS)	41.7 m ³
TOTAL	112.3 m ³

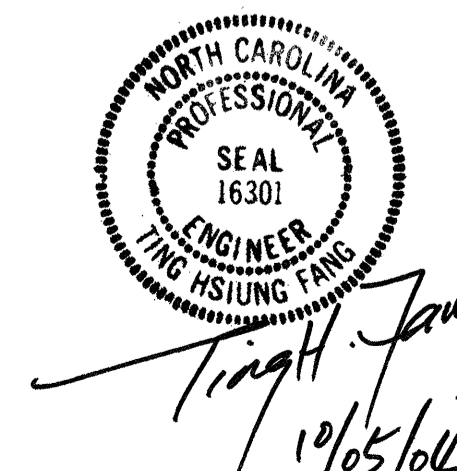
PP 305 X 9.5 STEEL PILE CLOSED END
NO. 37 METERS 814.0

PROJECT NO. R-513A
ROBESON COUNTY
STATION: 18+64.065 -L-

SHEET 3 OF 3

STATE OF NORTH CAROLINA
DEPARTMENT OF TRANSPORTATION
RALEIGH

SUBSTRUCTURE
END BENT 2



REVISIONS						SHEET NO.	
NO.	BY:	DATE:	NO.	BY:	DATE:	S-30	
1			3			TOTAL SHEETS	172
2			4				

DRAWN BY: N. Q. TRAN DATE: MAY-03
CHECKED BY: M. A. ALLEN DATE: 3-04

04-OCT-2004 11:18
w:\SquadM\0513a\str\ntran\MicromB\wkg\513a0leb.dgn
ntran

STR. #1