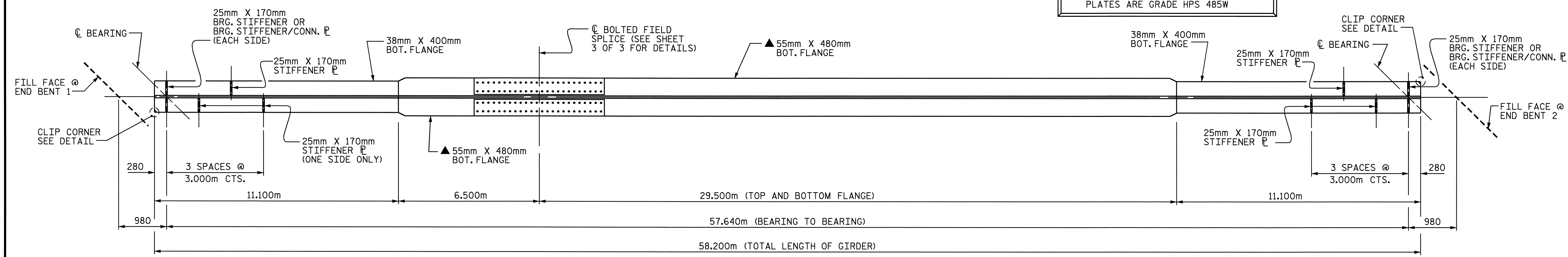


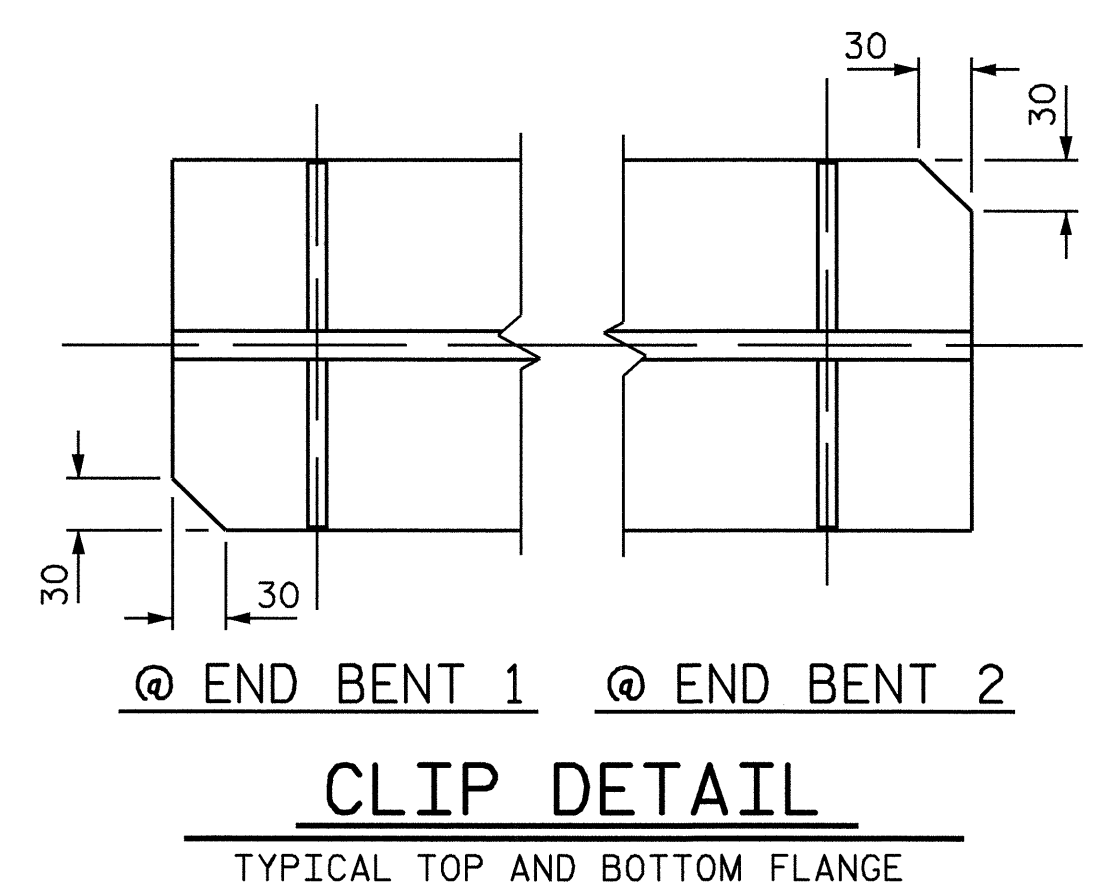
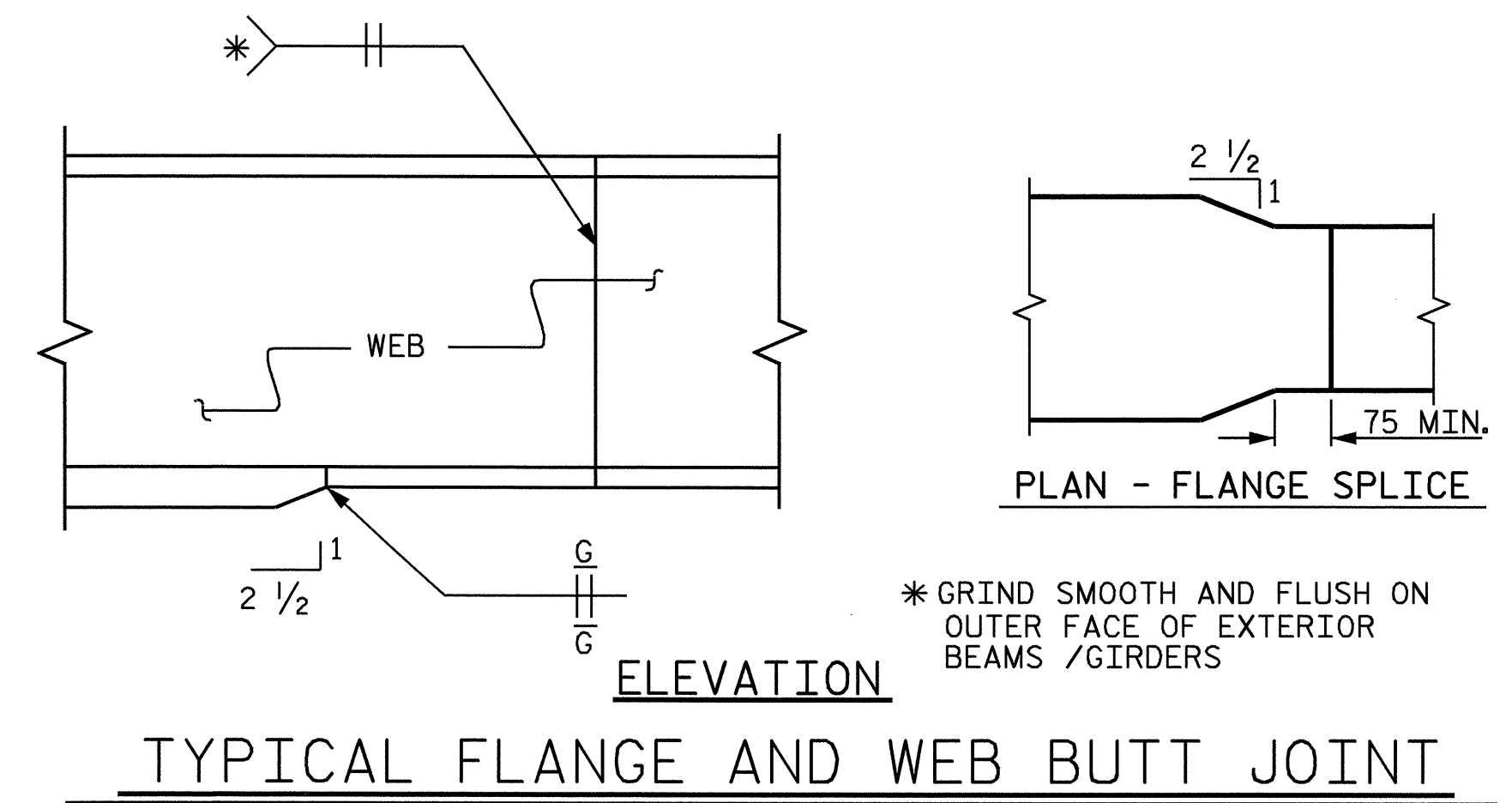
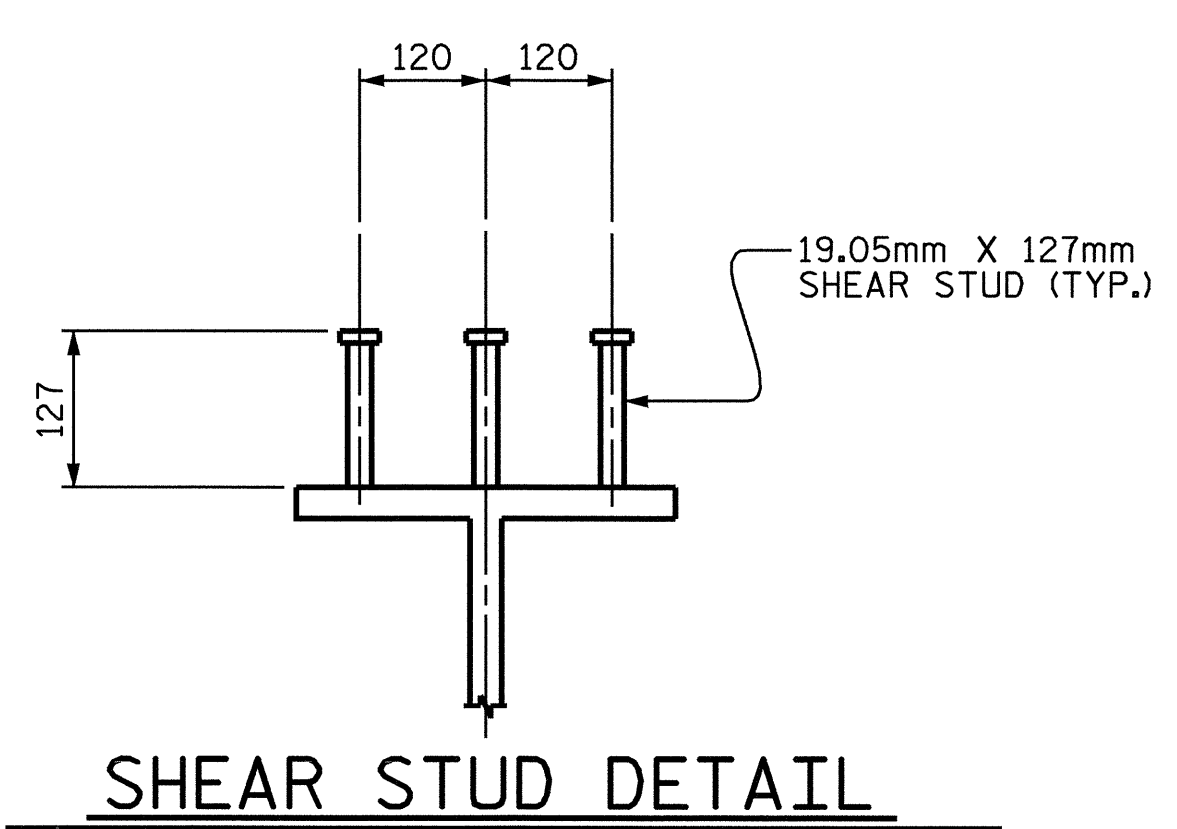
**PLATE GIRDER ELEVATION**

STIFFENER PLATES SHALL BE PLACED ON THE INTERIOR WEB OF EXTERIOR GIRDERS

▲ THE CONTRACTOR'S ATTENTION IS CALLED TO THE FACT THAT THE 55mm X 480mm BOTTOM FLANGE PLATES ARE GRADE HPS 485W



**BOTTOM FLANGE DETAIL**

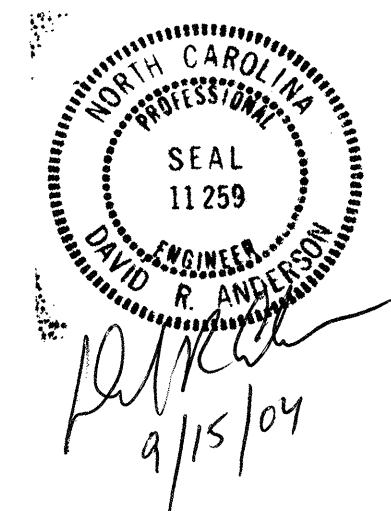


PROJECT NO. R-513BA  
ROBESON COUNTY  
 STATION: 113+73.429 -L-

SHEET 1 OF 3

STATE OF NORTH CAROLINA  
 DEPARTMENT OF TRANSPORTATION  
 RALEIGH

**SUPERSTRUCTURE  
 STRUCTURAL STEEL  
 (LEFT LANE)**



REVISIONS					SHEET NO.
NO.	BY:	DATE:	NO.	DATE:	TOTAL SHEETS
1			3		9-75
2			4		172

DRAWN BY : T.A. WALTER      DATE : 9/18/02  
 CHECKED BY : B. BARODAWALA      DATE : 4/11/03