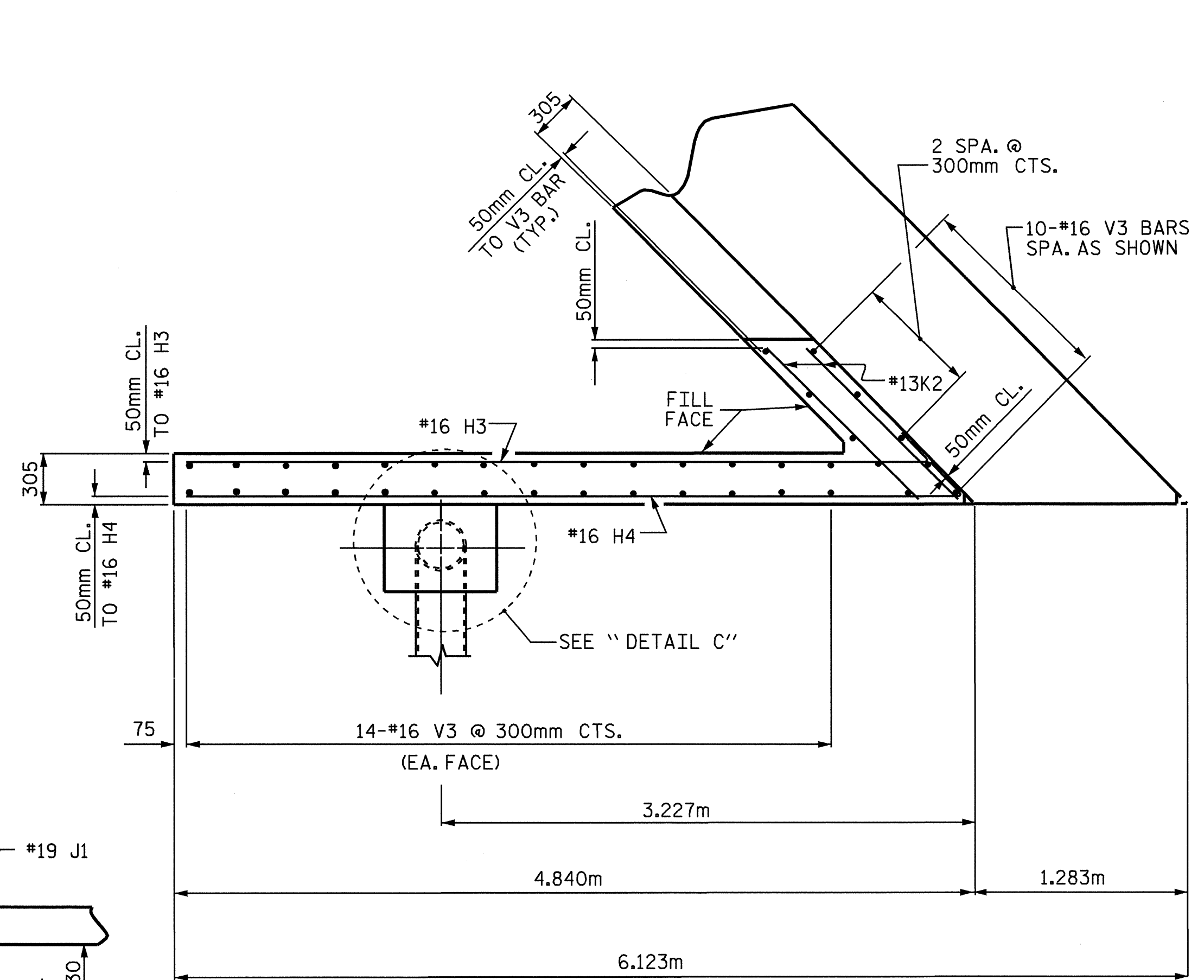
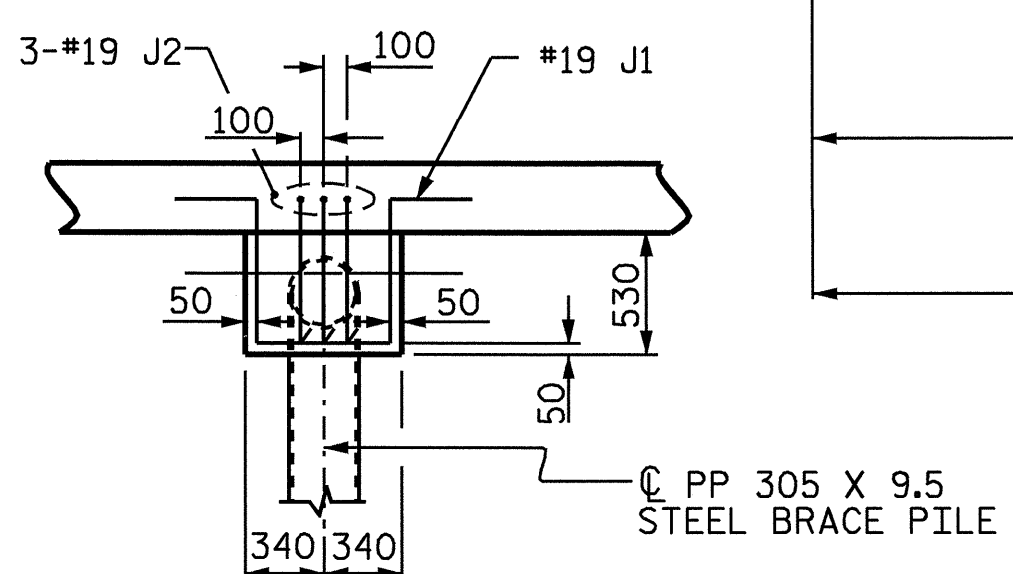


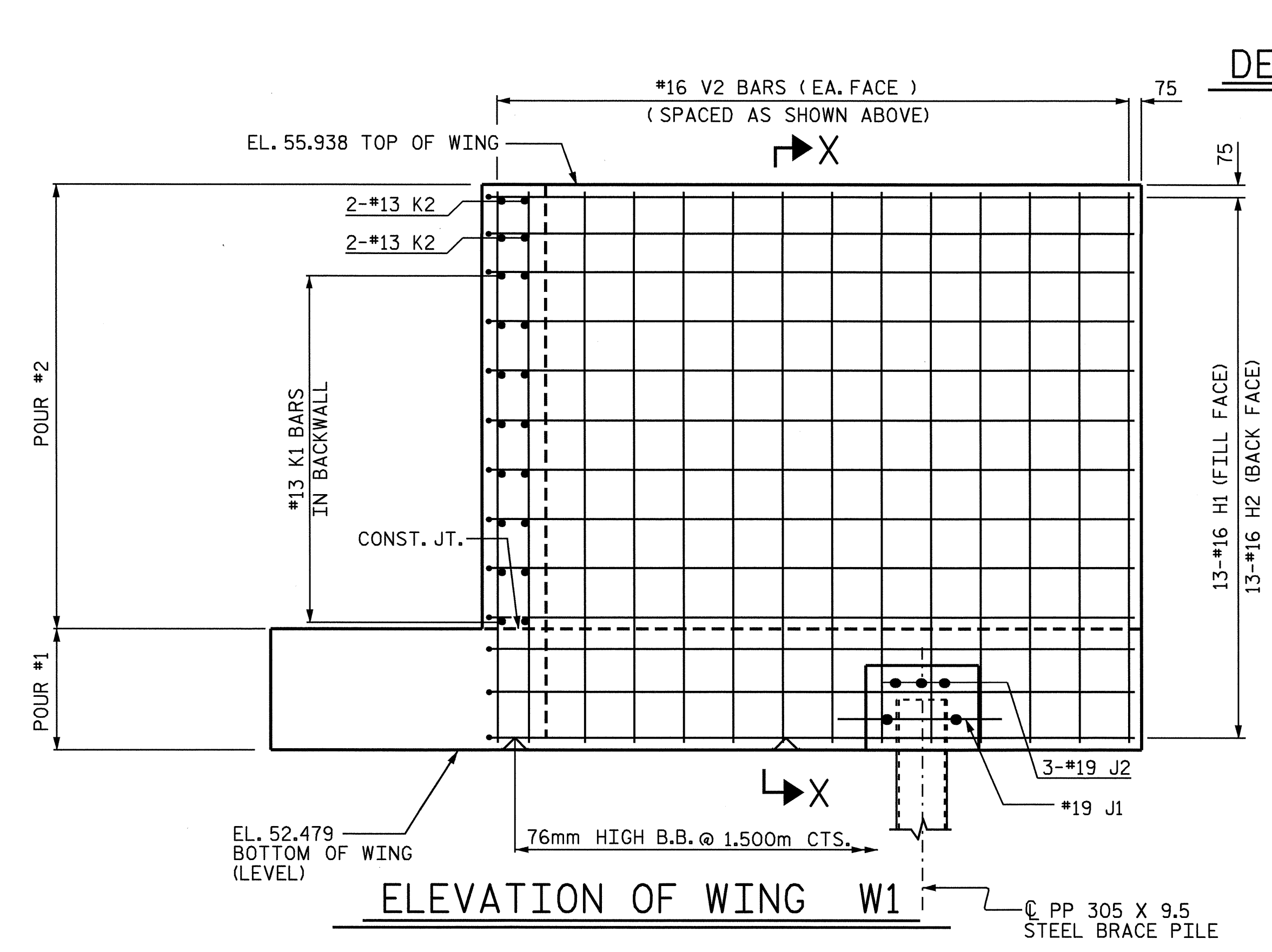
PLAN OF WING W1



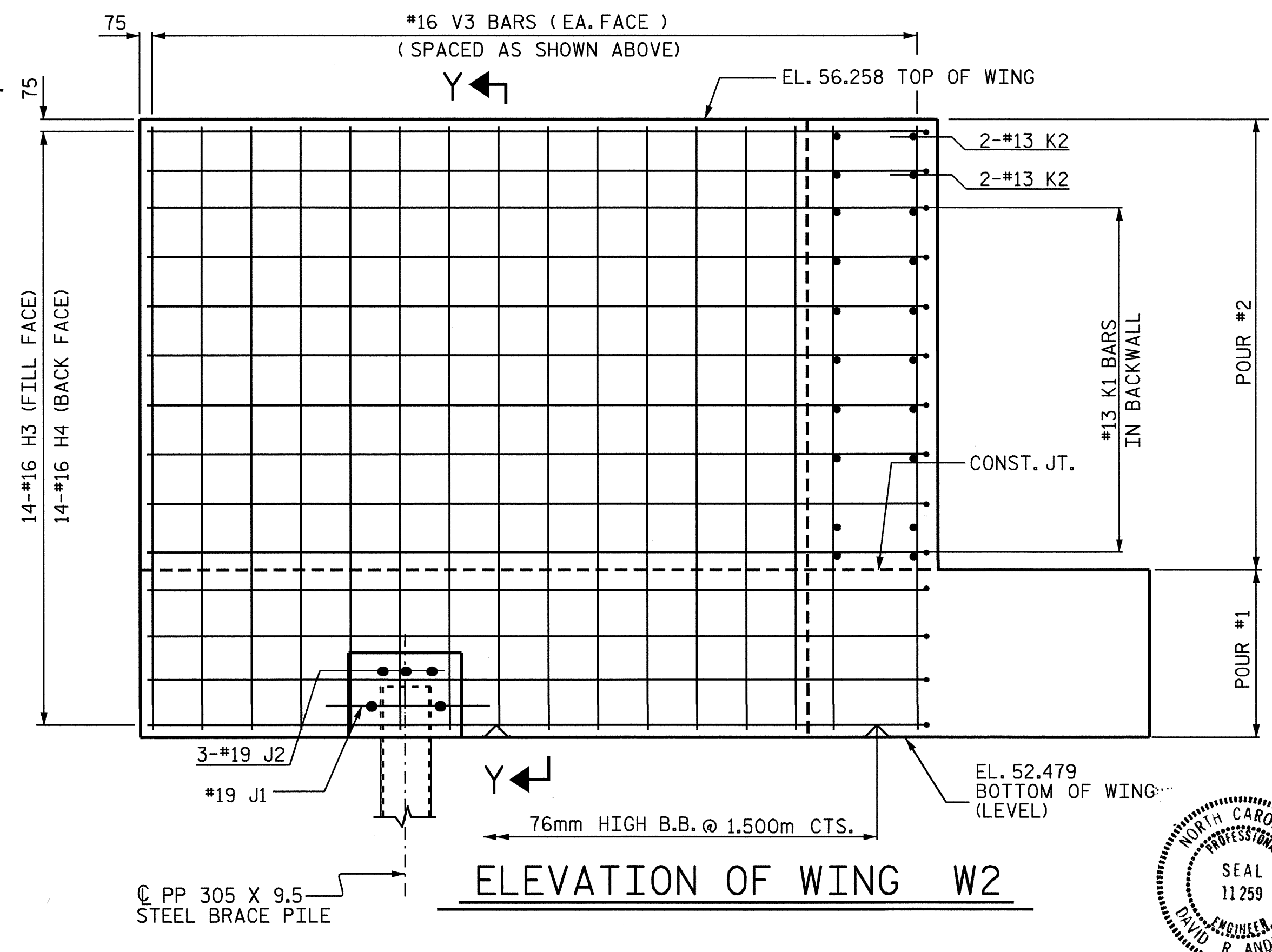
PLAN OF WING W2



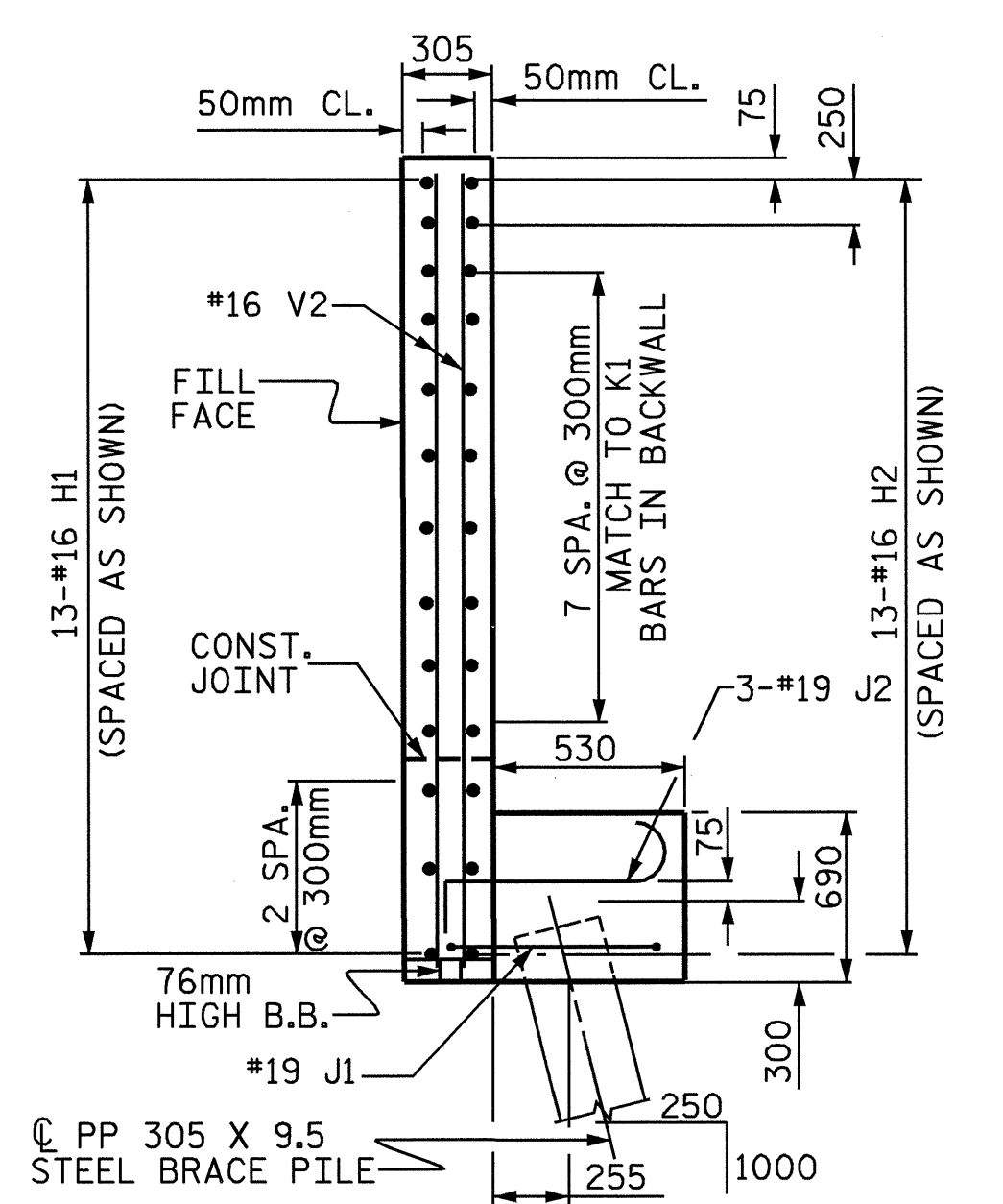
DETAIL C



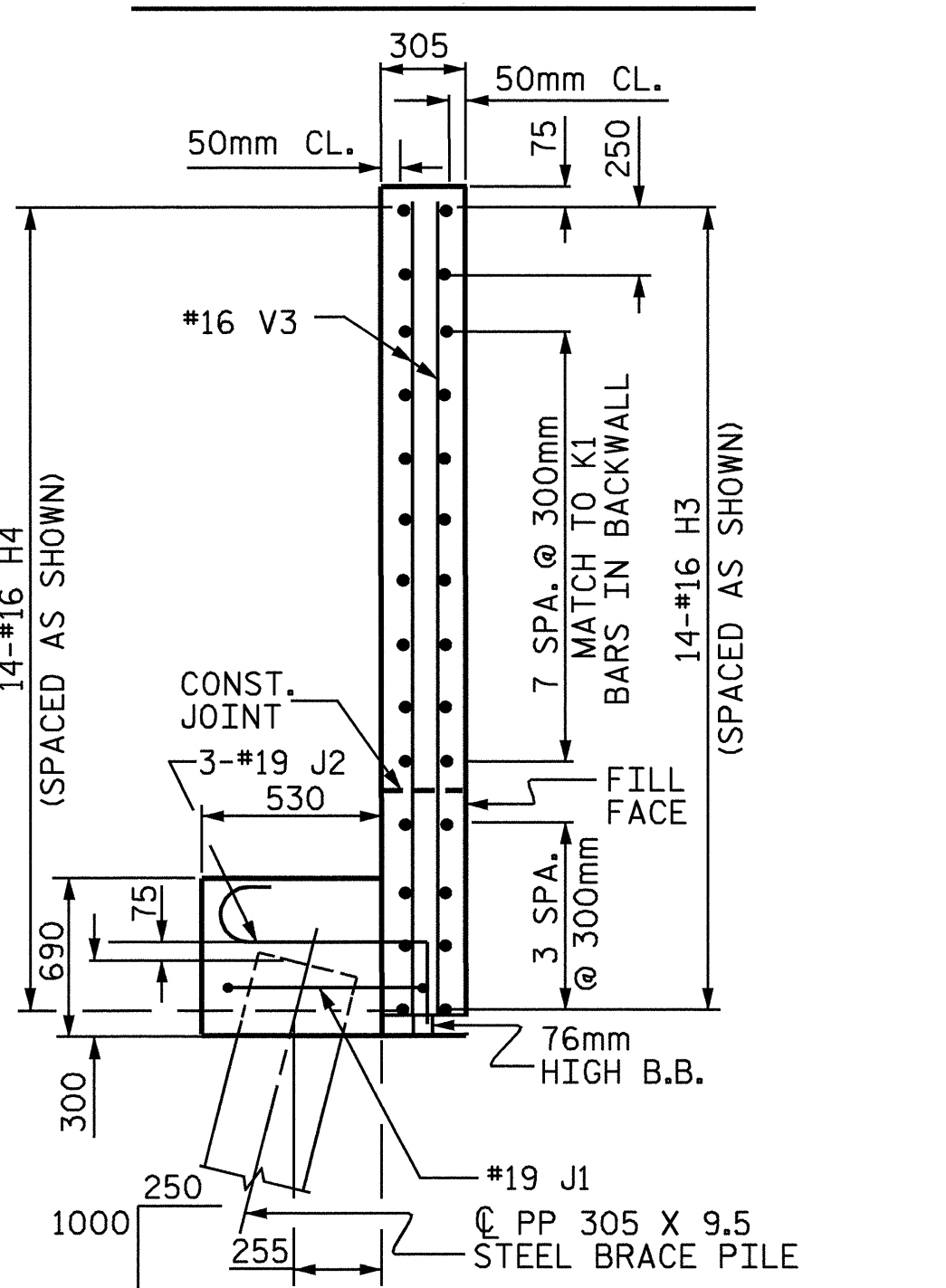
ELEVATION OF WING W1



ELEVATION OF WING W2



SECTION X-X



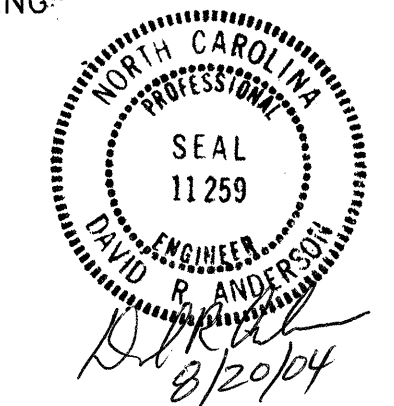
SECTION Y-Y

PROJECT NO. R-513BA
ROBESON COUNTY
STATION: 113+73.429 -L-

SHEET 2 OF 3

STATE OF NORTH CAROLINA
DEPARTMENT OF TRANSPORTATION
RALEIGH

SUBSTRUCTURE
END BENT 1
(LEFT LANE)



REVISIONS						SHEET NO.	
NO.	BY:	DATE:	NO.	BY:	DATE:	5-84	
1			3			TOTAL SHEETS	
2			4			172	

DRAWN BY: S. M. RASHIDI DATE: 1/6/03
CHECKED BY: M. A. ALLEN DATE: 3-04