

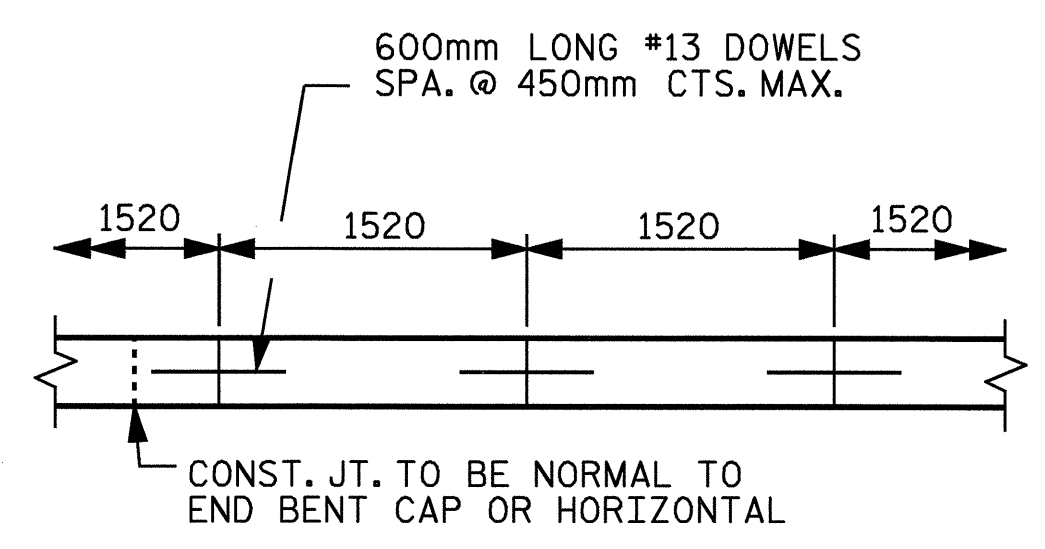
SECTION ALONG C ROADWAY WHEN FILL CATCHES IN DITCH

GENERAL NOTES

SLOPE PROTECTION SHALL BE PLACED UNDER THE ENDS OF THE BRIDGE AS SHOWN IN THE DETAILS. STRAIGHT EDGING WILL NOT BE REQUIRED UNLESS, IN THE OPINION OF THE ENGINEER, VISUAL INSPECTION INDICATES A NEED FOR IT. METHOD OF MEASUREMENT AND BASIS OF PAYMENT SHALL BE AS PRESCRIBED IN SECTION 462 OF THE STANDARD SPECIFICATIONS. FOR BERM WIDTH, SEE GENERAL DRAWING.

ALTERNATE "A"

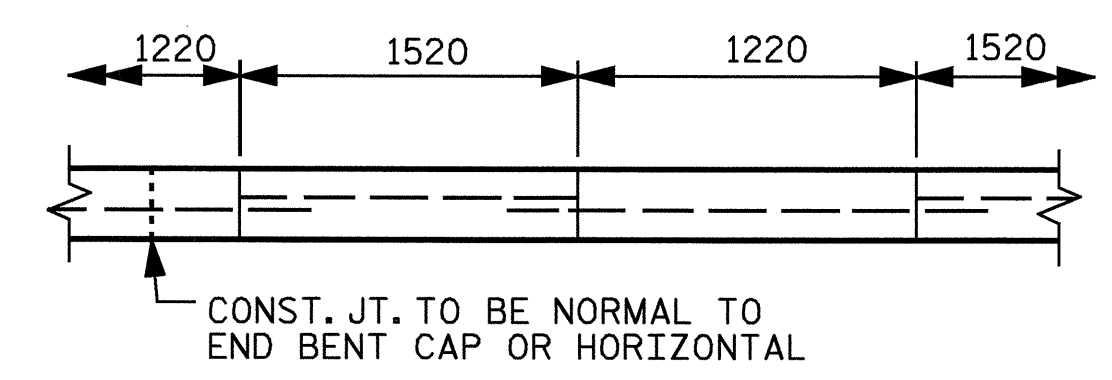
ALTERNATE "A" SHALL CONSIST OF 100mm Poured-in-place concrete paving as shown in the details on this sheet. Concrete shall be class "B". The concrete surface shall be floated with a wooden float and finished. Welded wire fabric reinforcing shall be 152 x 152 - W9.1 x W9.1, 1520mm wide. Slope protection shall be poured in 1520mm strips as shown in the "pouring detail" with 600mm long #13 bars placed along the slope between strips at 450mm maximum spacing. Slope protection may be poured in alternate 1220mm and 1520mm strips as shown in the "optional pouring detail" with adjacent runs of welded wire fabric lapping at least 152mm. The cost of the welded wire fabric and #13 bars, if used, shall be included in the contract unit price bid per square meter for slope protection.



600mm LONG #13 DOWELS
SPA. @ 450mm CTS. MAX.
CONST. JT. TO BE NORMAL TO
END BENT CAP OR HORIZONTAL

STRIP WIDTHS MAY VARY IN CURVED
PORTION.

POURING DETAIL



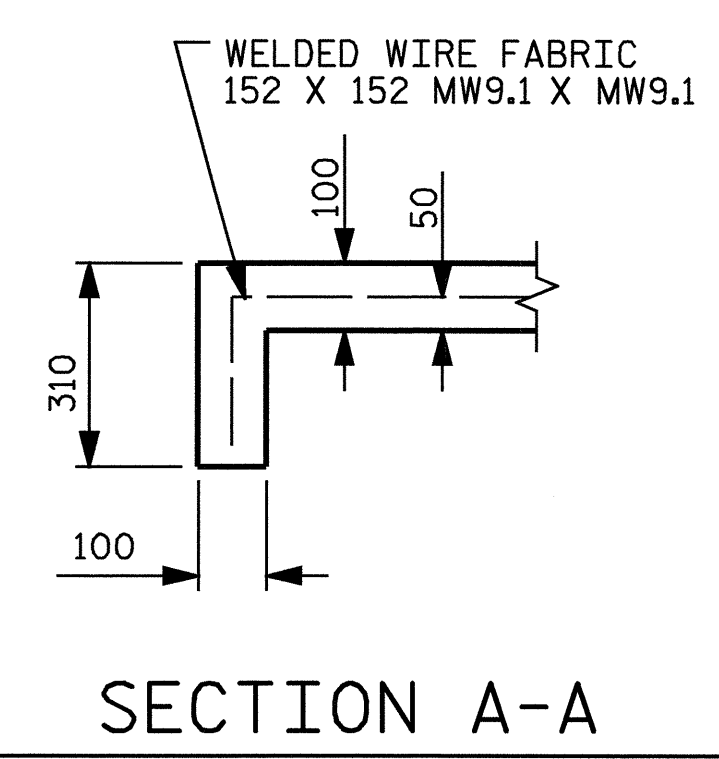
CONST. JT. TO BE NORMAL TO
END BENT CAP OR HORIZONTAL

POUR A 1220mm STRIP FIRST. STRIP
WIDTHS MAY VARY IN CURVED
PORTION.

OPTIONAL POURING DETAIL

	100mm SLOPE PROTECTION SQUARE METERS		* WELDED WIRE FABRIC 1520mm WIDE
	END BENT 1	END BENT 2	APPROX. METERS
BRIDGE @ STA.			
113+73.429 -L-	275	350	950

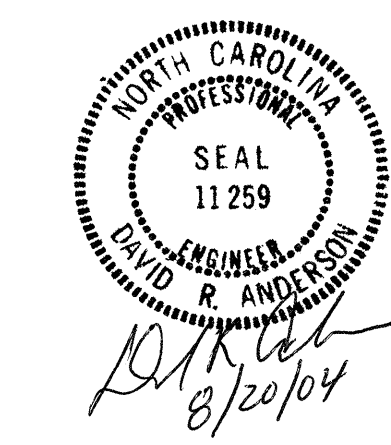
* QUANTITY SHOWN IS BASED ON 1520mm POURS.



SECTION A-A

PROJECT NO. R-513BA
ROBESON COUNTY
STATION: 113+73.429 -L-

SHEET 2 OF 2



STATE OF NORTH CAROLINA
DEPARTMENT OF TRANSPORTATION
RALEIGH

STANDARD
SLOPE PROTECTION
DETAILS

DRAWN BY: S. M. RASHIDI DATE: 5/30/03
CHECKED BY: J. L. WALTON DATE: 7/21/03

REVISIONS				SHEET NO.
NO.	BY:	DATE:	NO.	DATE:
1			3	
2			4	

TOTAL SHEETS: 172

STR. #1