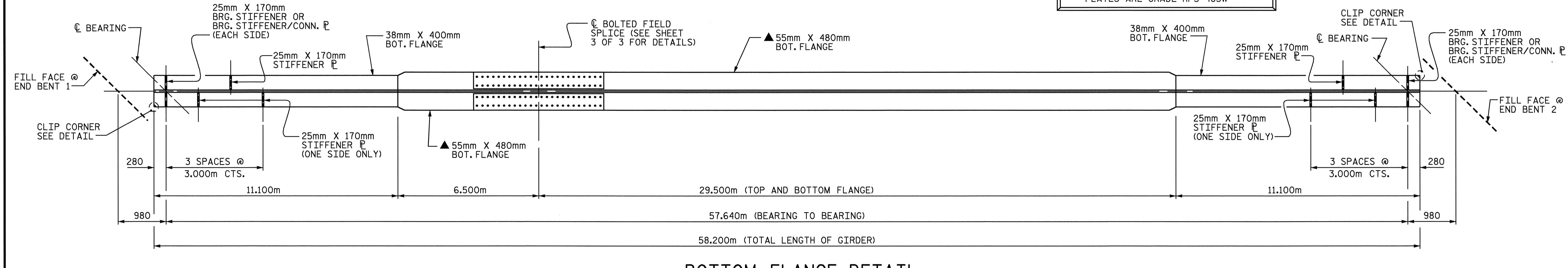


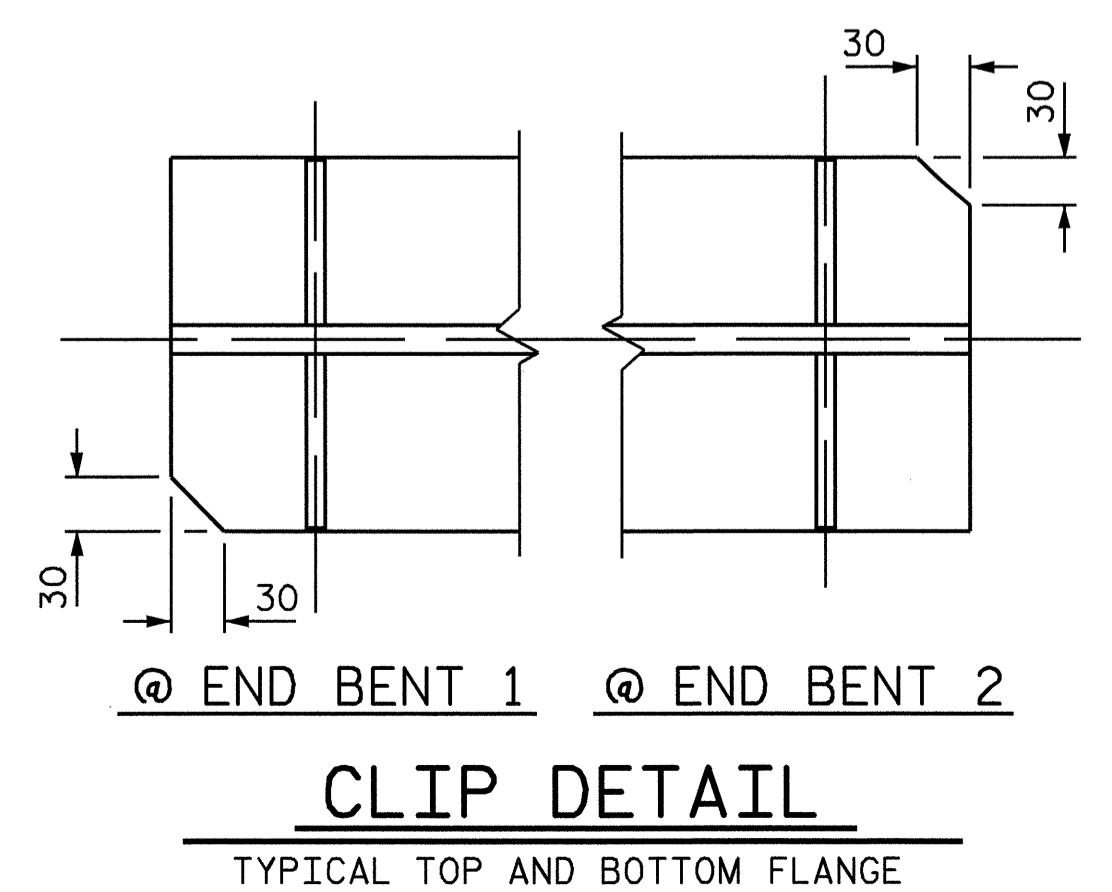
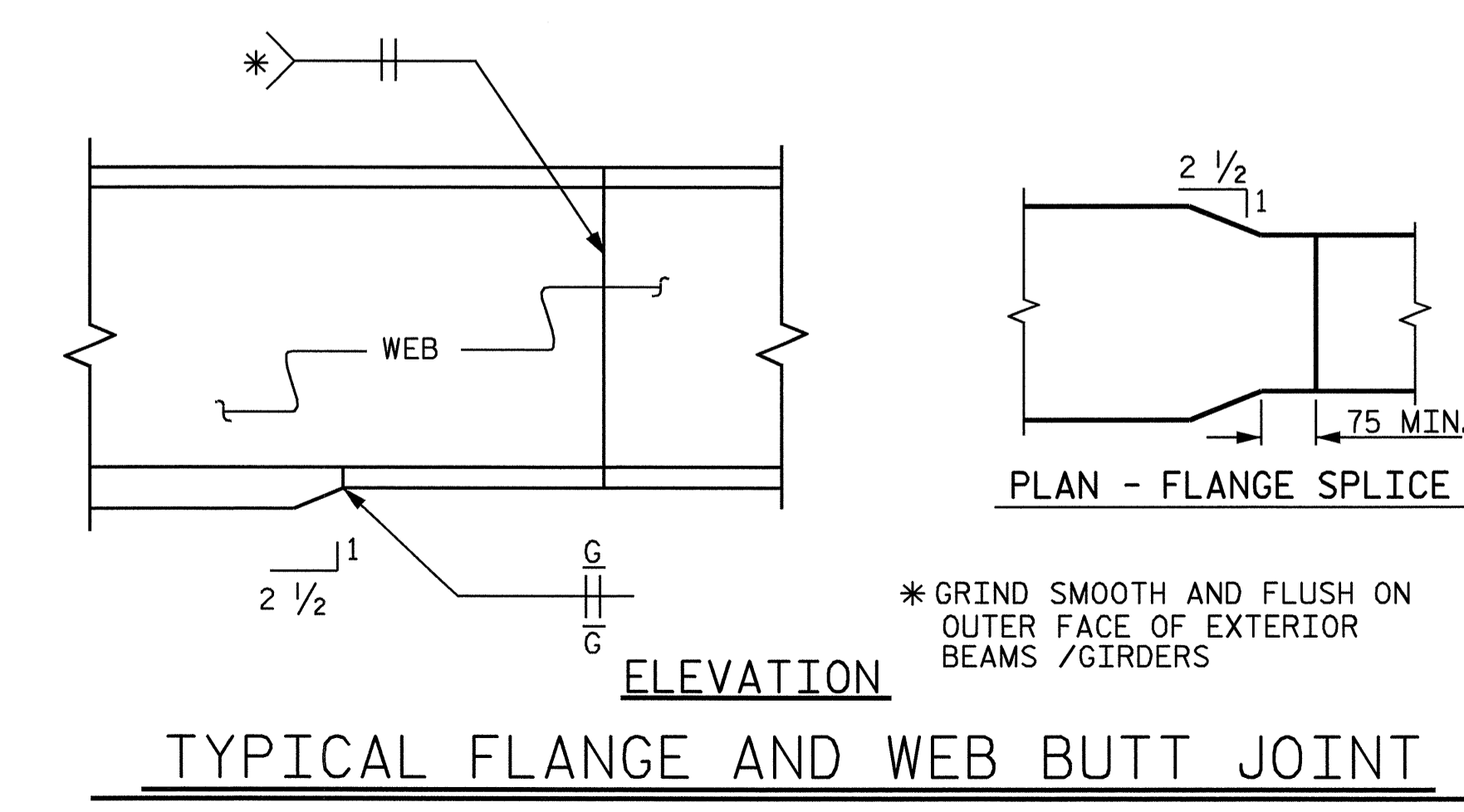
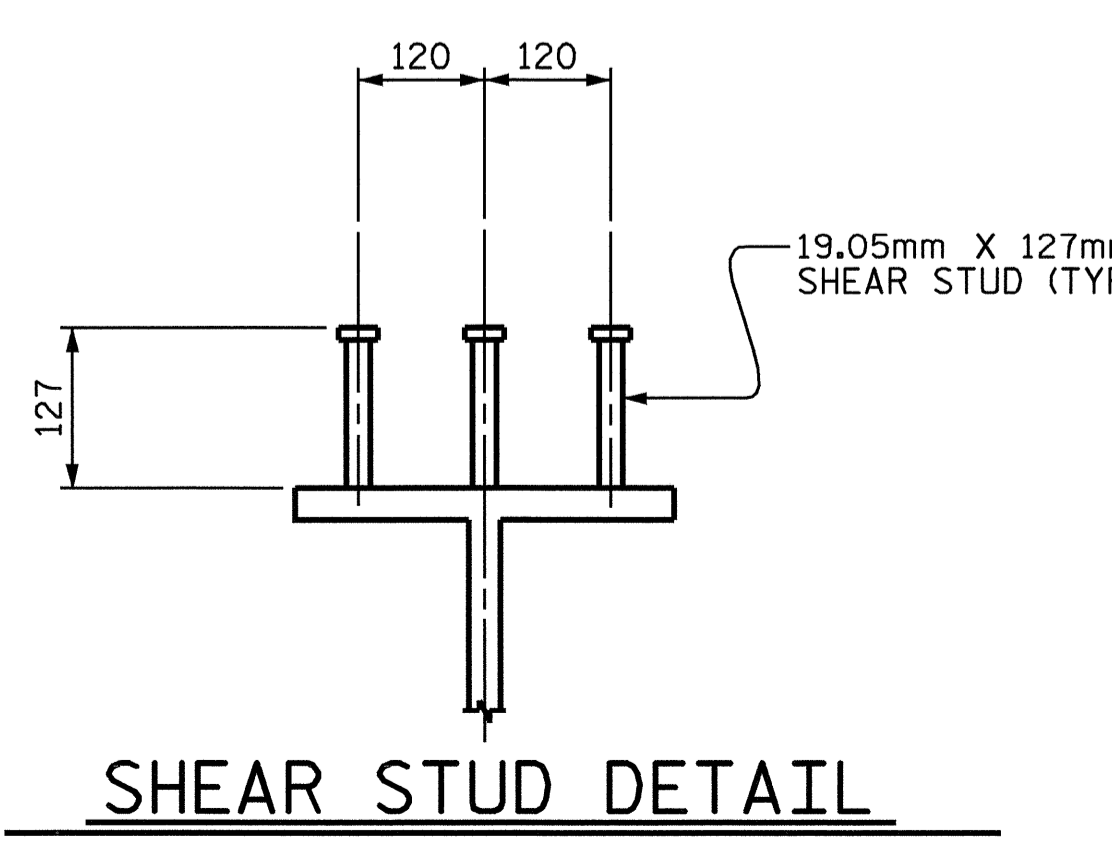
PLATE GIRDER ELEVATION

STIFFENER PLATES SHALL BE PLACED ON THE INTERIOR WEB OF EXTERIOR GIRDERS

▲ THE CONTRACTOR'S ATTENTION IS CALLED TO THE FACT THAT THE 55mm X 480mm BOTTOM FLANGE PLATES ARE GRADE HPS 485W



BOTTOM FLANGE DETAIL

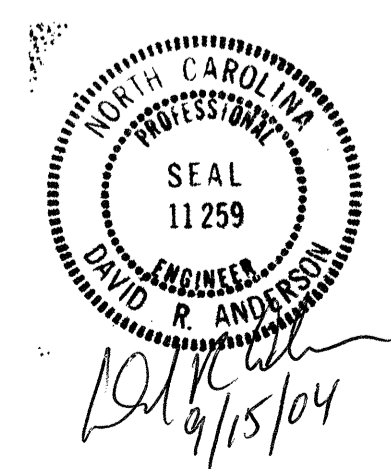


PROJECT NO. R-513BA
ROBESON COUNTY
STATION: 113+73.429 -L-

SHEET 1 OF 3

STATE OF NORTH CAROLINA
DEPARTMENT OF TRANSPORTATION
RALEIGH

**SUPERSTRUCTURE
STRUCTURAL STEEL
(RIGHT LANE)**



REVISIONS					SHEET NO.
NO.	BY:	DATE:	NO.	DATE:	5-101
1			3		TOTAL SHEETS
2			4		172

DRAWN BY: T.A. WALTER DATE: 9/18/02
CHECKED BY: B. BARODAWALA DATE: 4/11/03