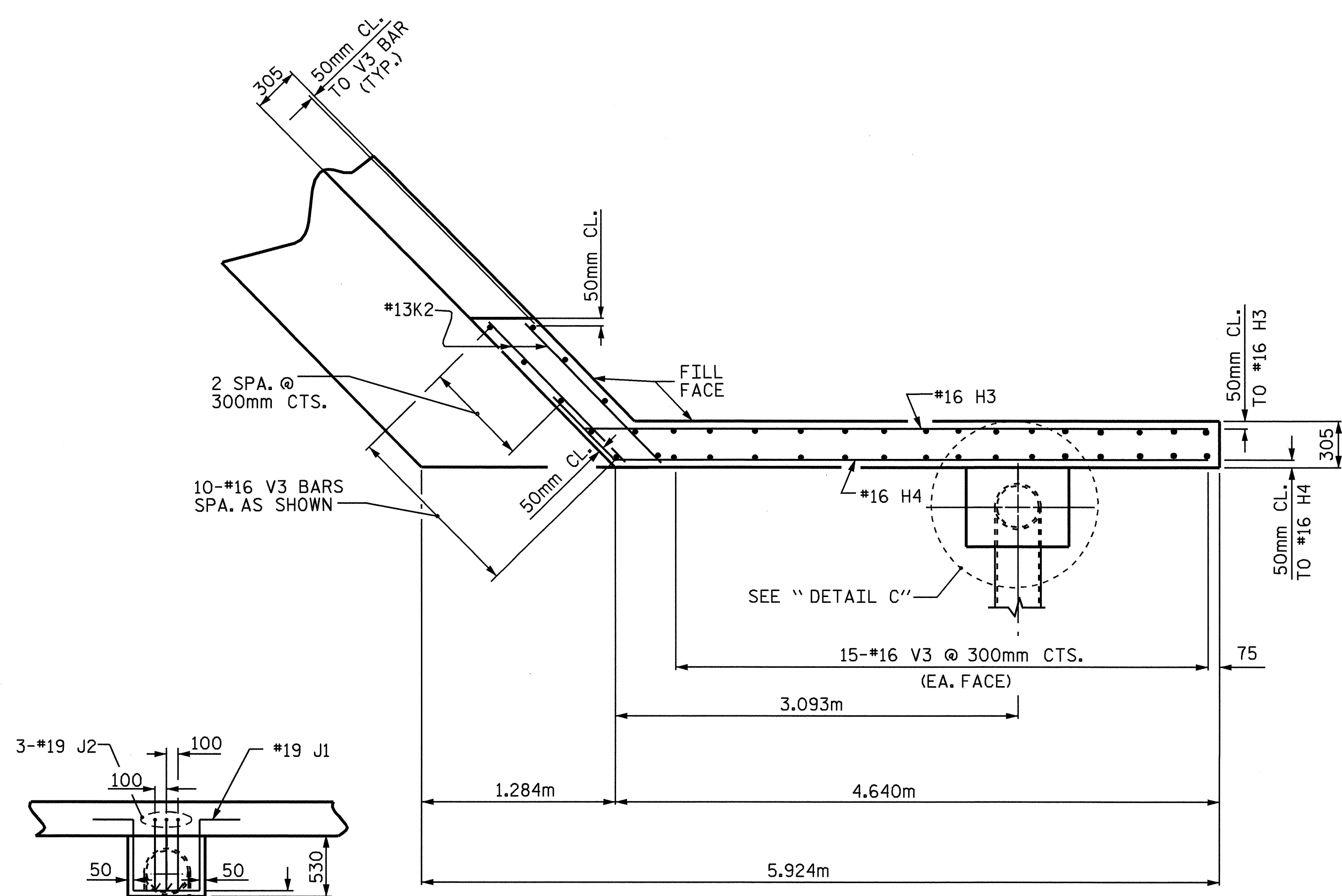
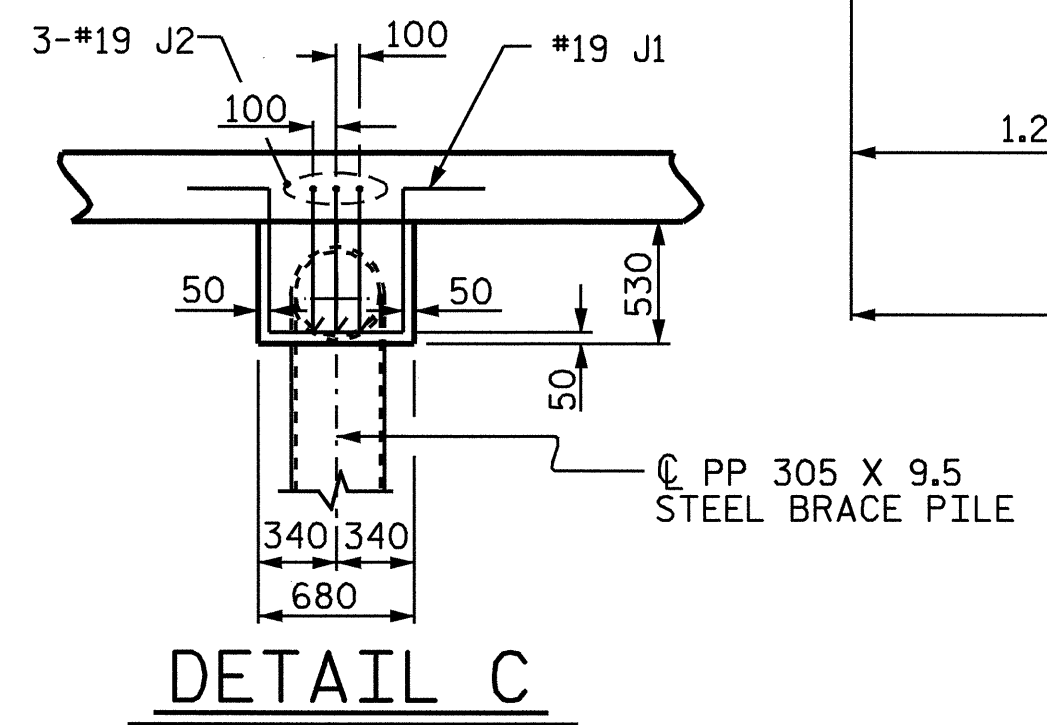


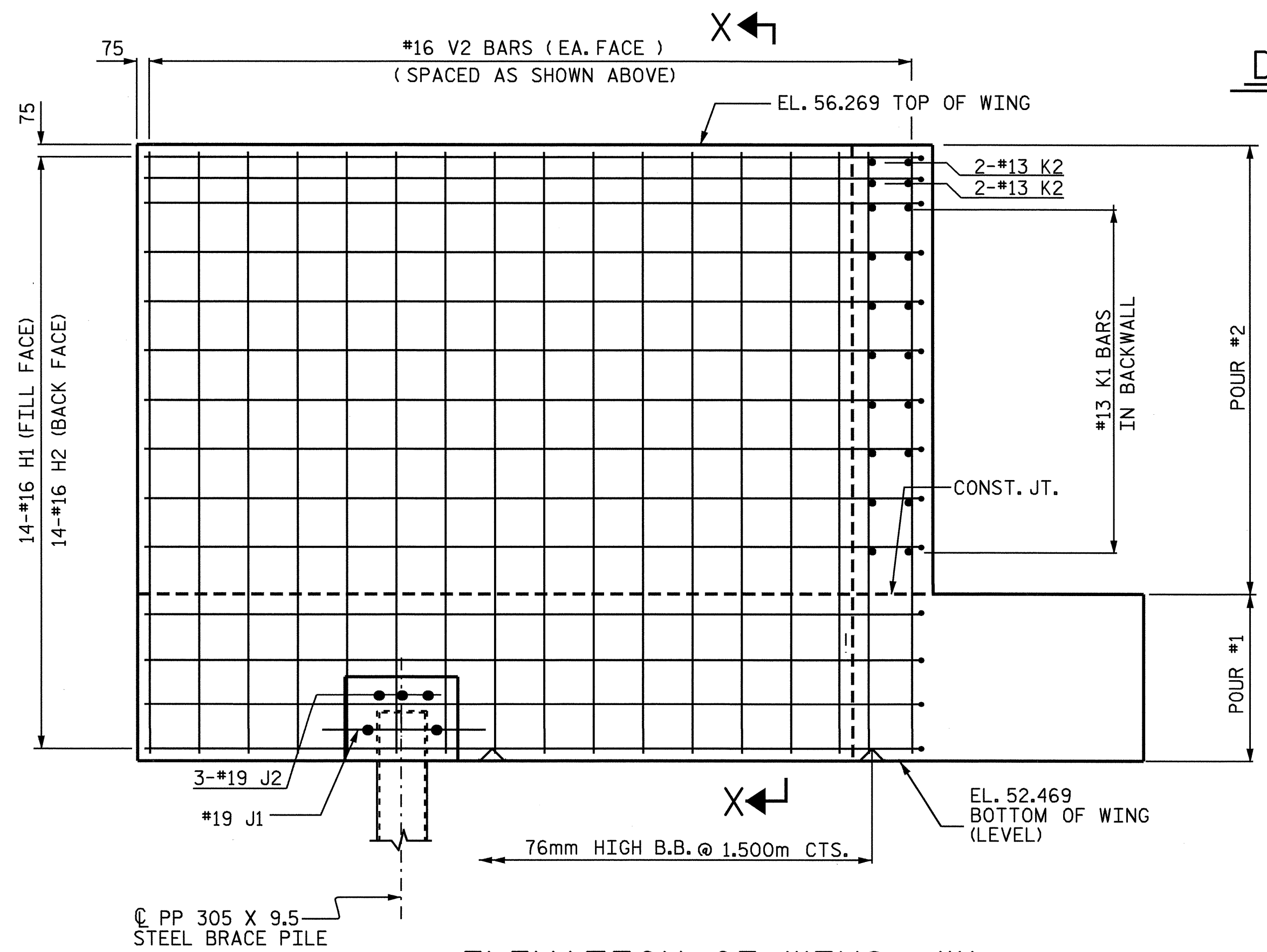
PLAN OF WING W1



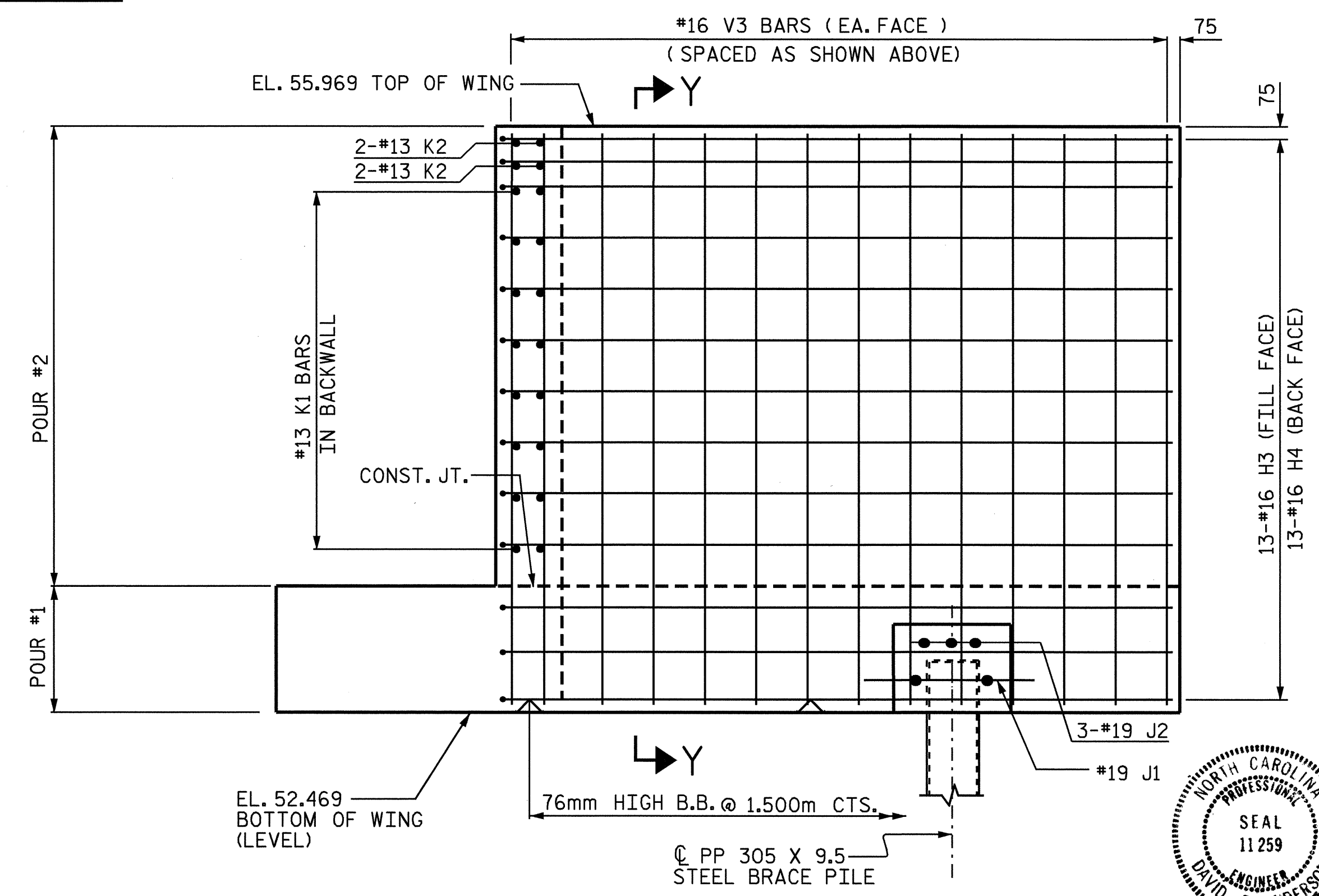
PLAN OF WING W2



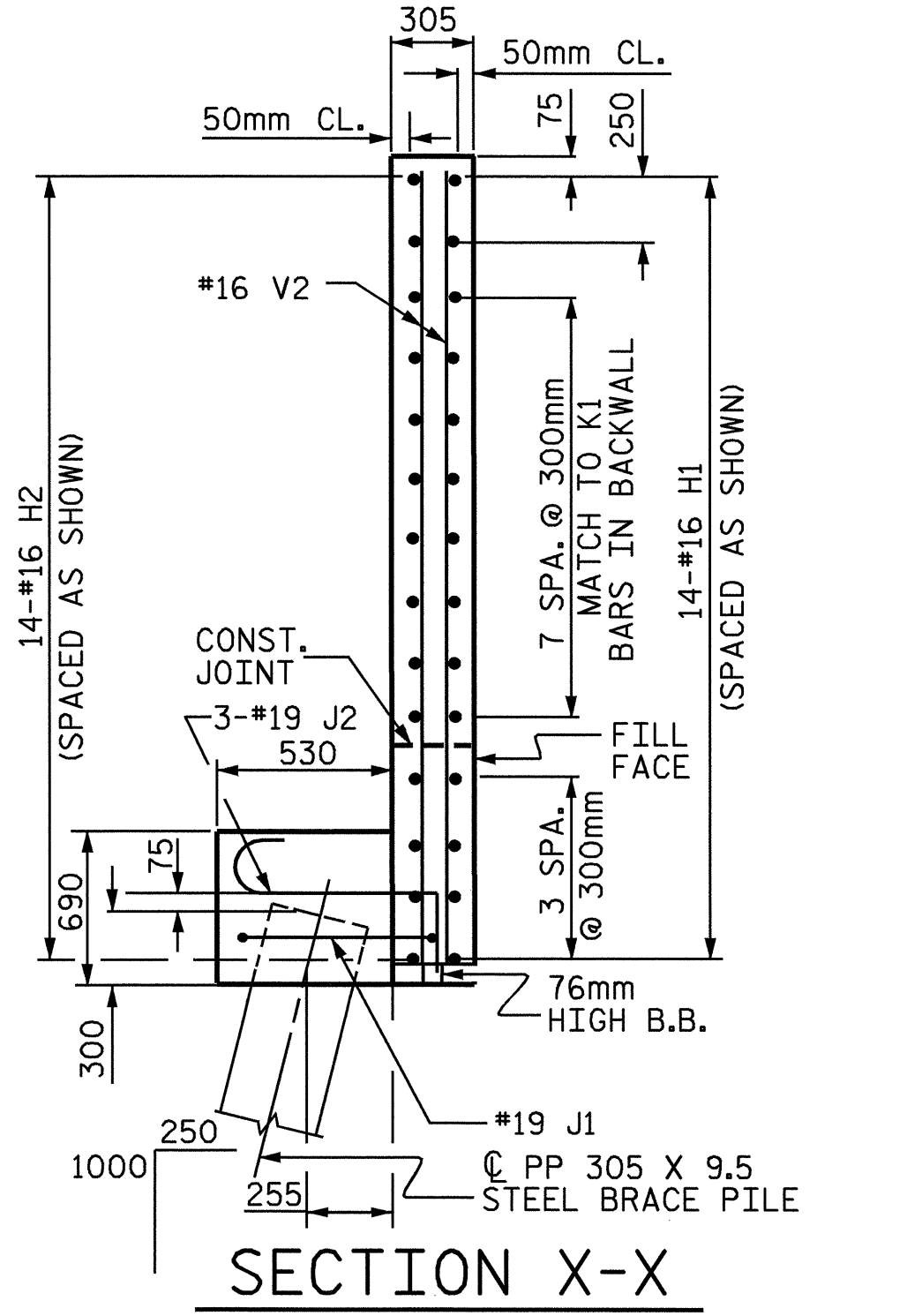
DETAIL C



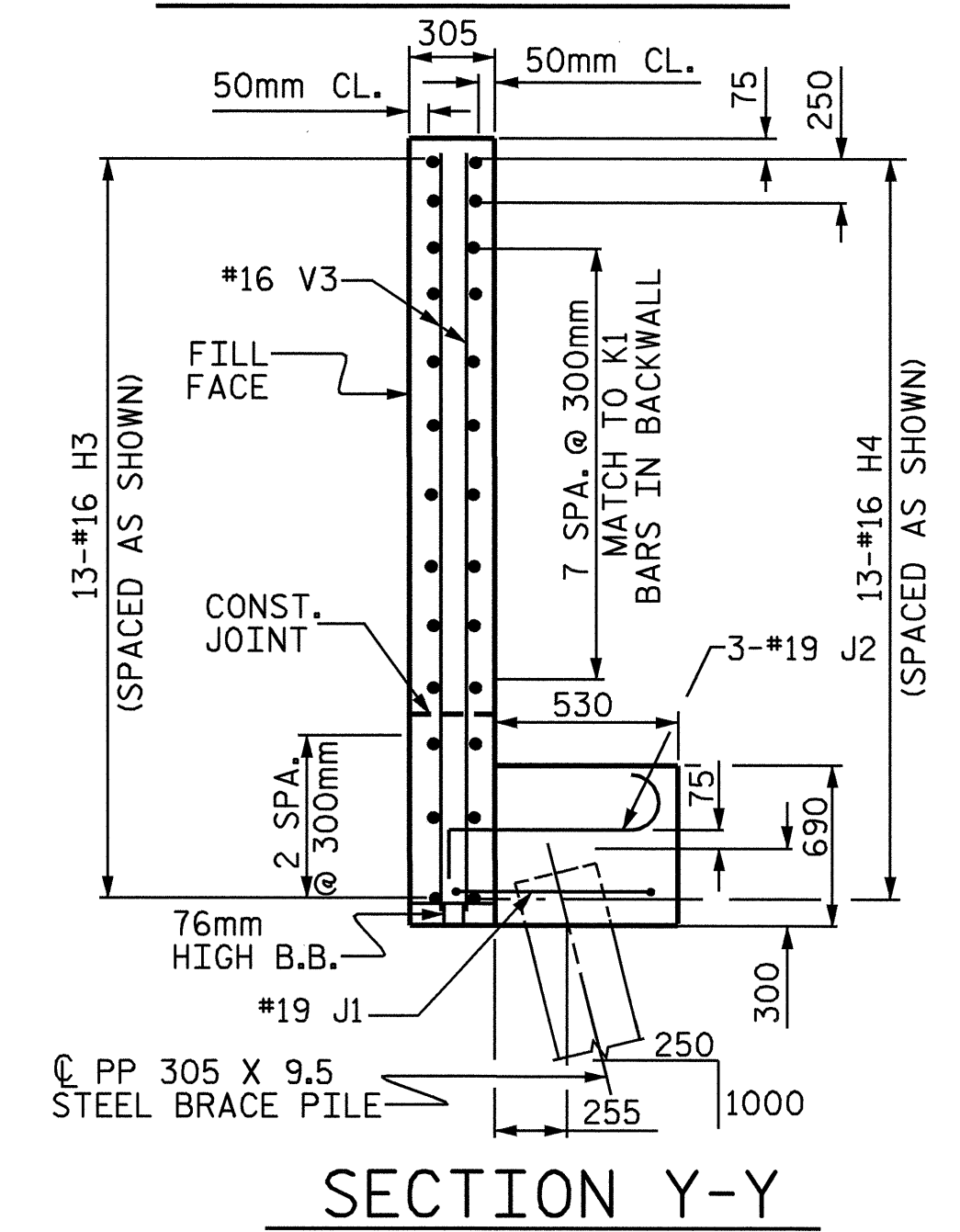
ELEVATION OF WING W1



ELEVATION OF WING W2



SECTION X-X

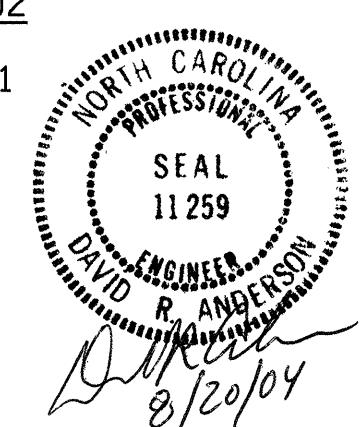


SECTION Y-Y

PROJECT NO. R-513BA
 ROBESON COUNTY
 STATION: 113+73.429 -L-

SHEET 2 OF 3

STATE OF NORTH CAROLINA DEPARTMENT OF TRANSPORTATION RALEIGH					
SUBSTRUCTURE END BENT 2 (RIGHT LANE)					
REVISIONS					
NO.	BY:	DATE:	NO.	BY:	DATE:
1			3		
2			4		
SHEET NO. S-113					TOTAL SHEETS 172



DRAWN BY: S. M. RASHIDI DATE: 1/6/03
 CHECKED BY: M. A. ALLEN DATE: 3-04