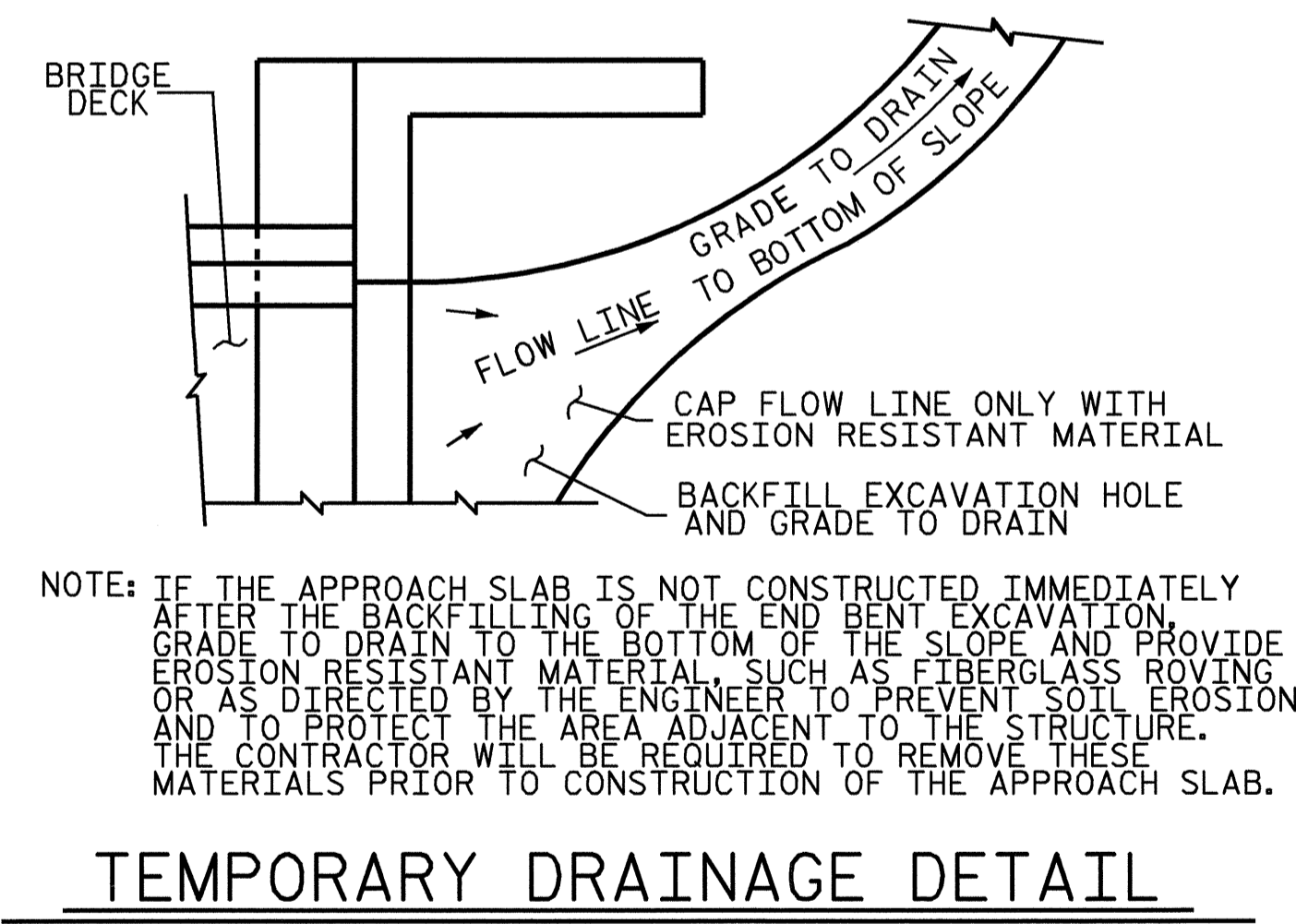
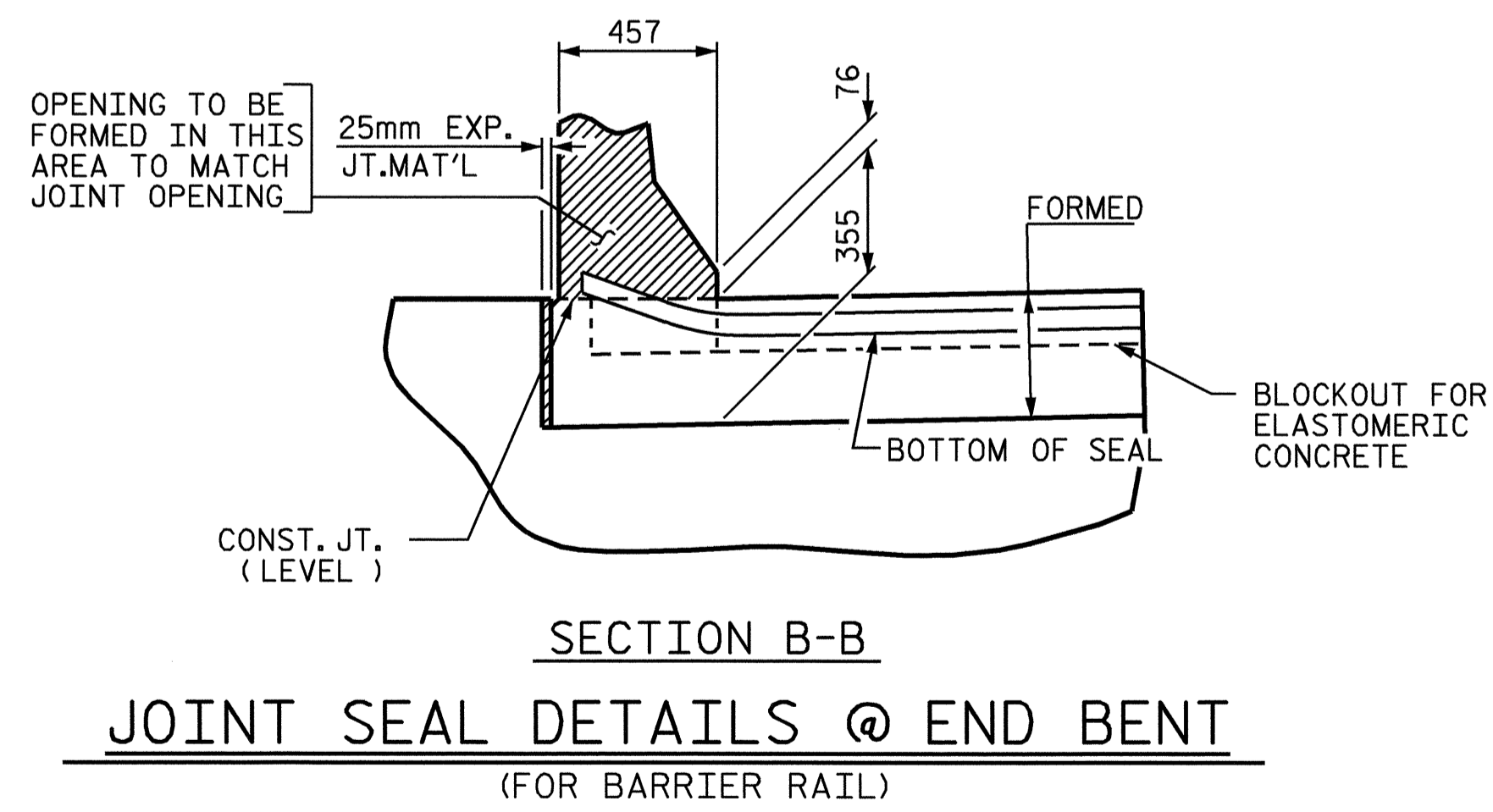
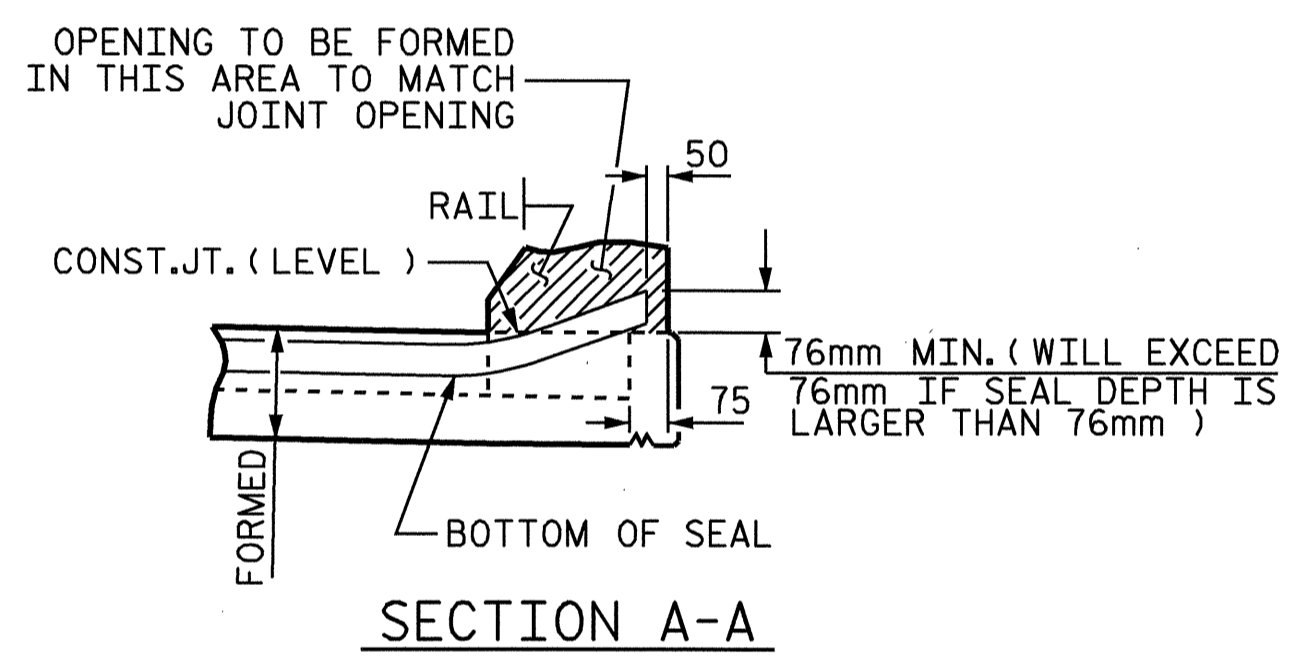


TEMPORARY BERM AND SLOPE DRAIN DETAILS



PROJECT NO. R-513BA
ROBESON COUNTY
STATION: 113+73.429 -L-

SHEET 4 OF 4

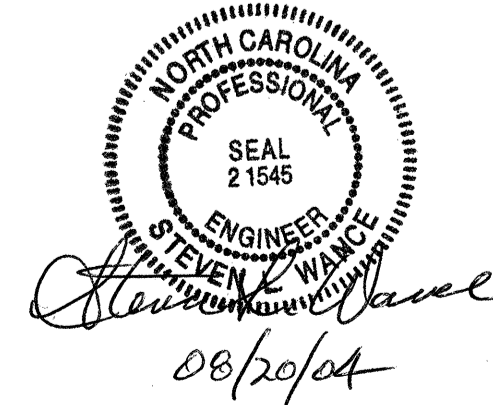
STATE OF NORTH CAROLINA
DEPARTMENT OF TRANSPORTATION
RALEIGH

STANDARD
BRIDGE APPROACH SLAB
DETAILS

REVISIONS						SHEET NO.
NO.	BY:	DATE:	NO.	BY:	DATE:	TOTAL SHEETS
1			3			172
2			4			

STR #2

STD. NO. BAS10SM



ASSEMBLED BY: W.K. FISCHER DATE: 3/26/04
CHECKED BY: S. WANCE DATE: 5/13/04
DRAWN BY: FCJ 11/88 REV. 7/17/98 RWW/LES
CHECKED BY: ARB 11/88 REV. 8/16/99 RAL/LES
REV. 10/17/00R RWW/LES