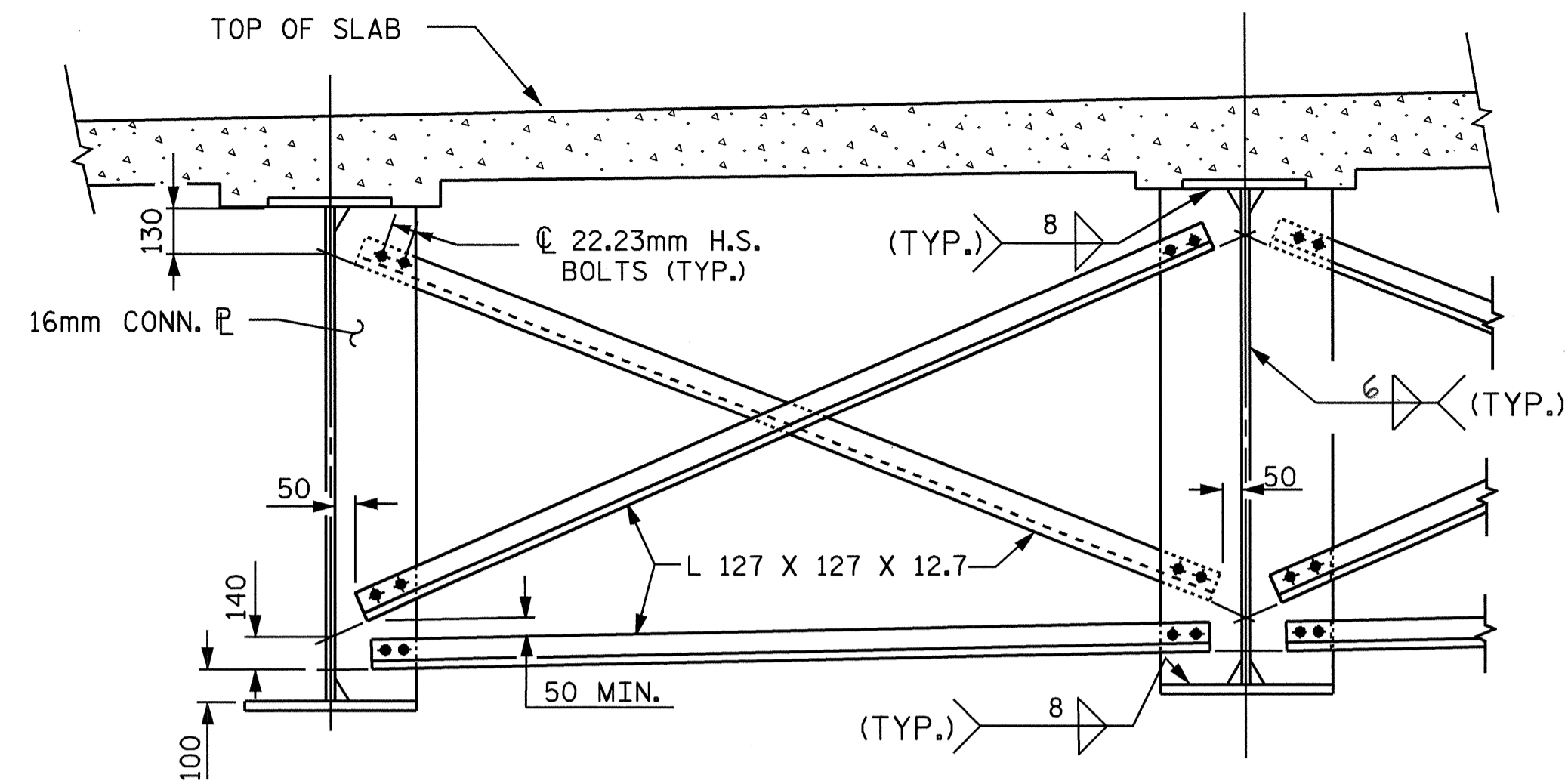
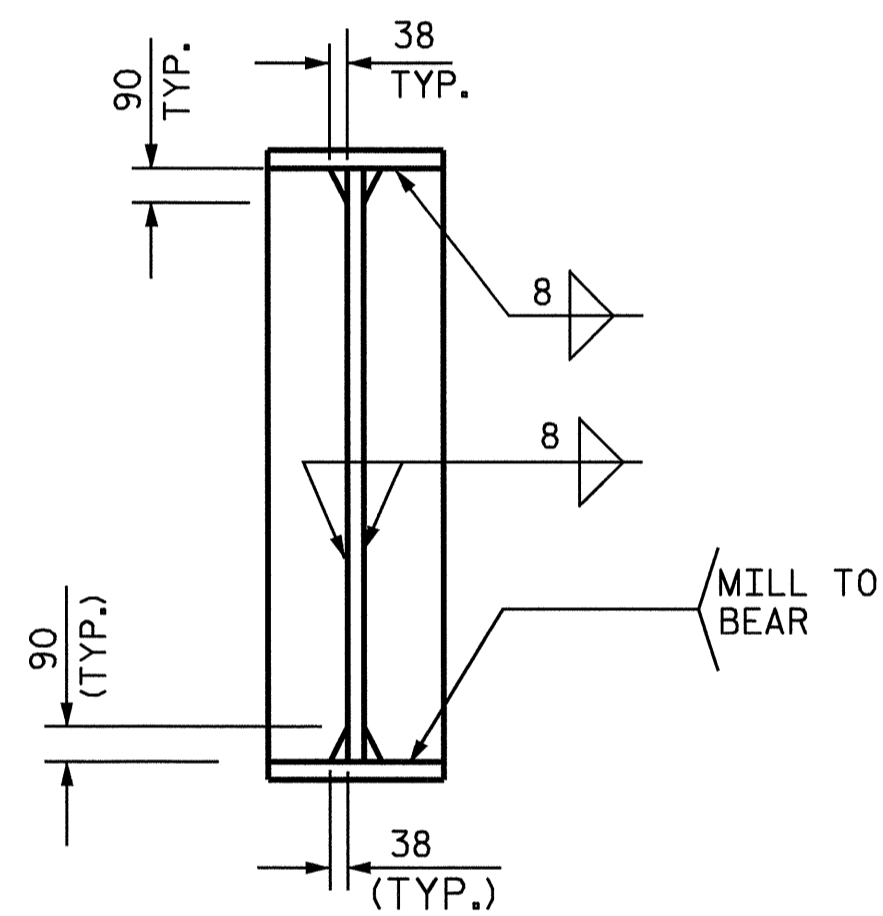


TYPICAL END BENT DIAPHRAGM (D1)

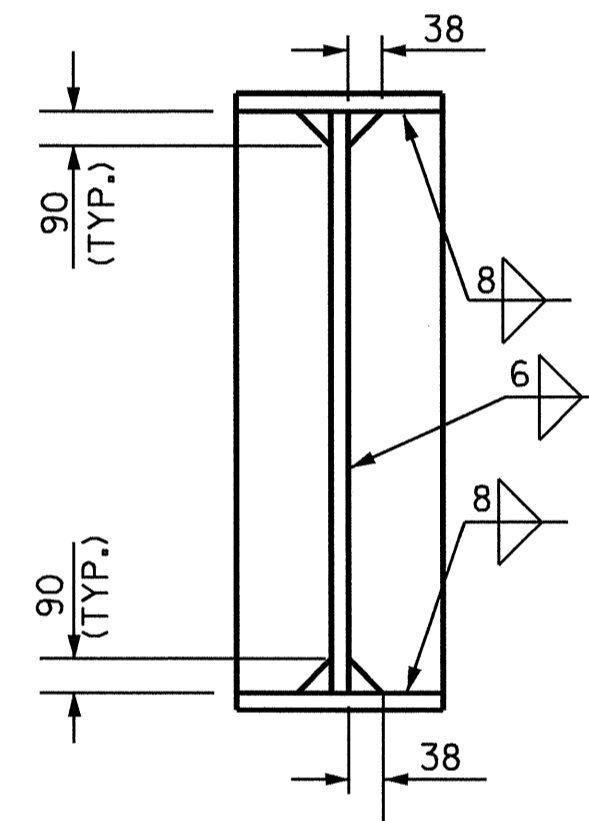


TYPICAL INTERMEDIATE (D2)

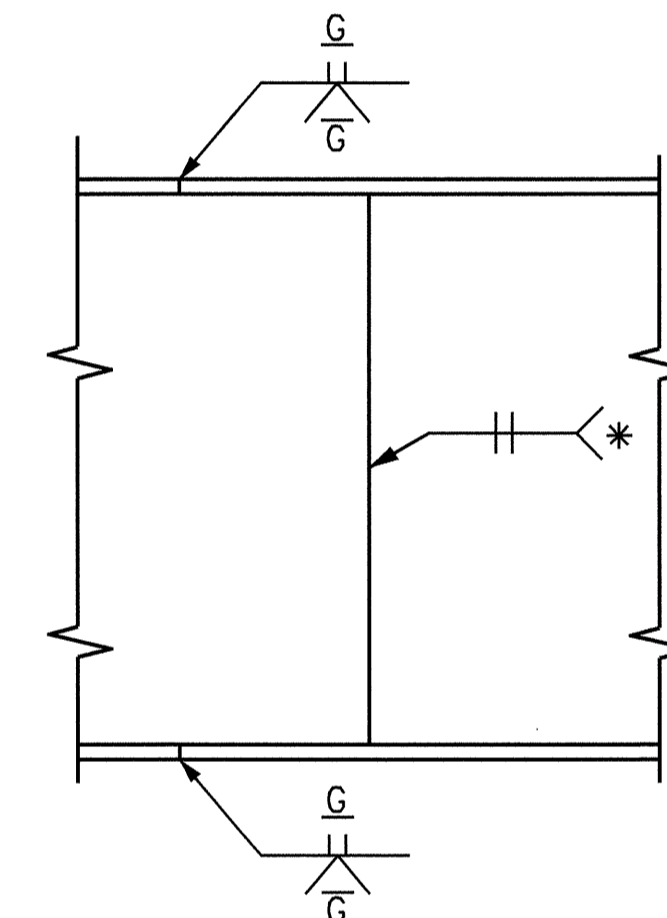


BEARING STIFFENER / CONN. PLATE

@ END BENTS #1 & 2

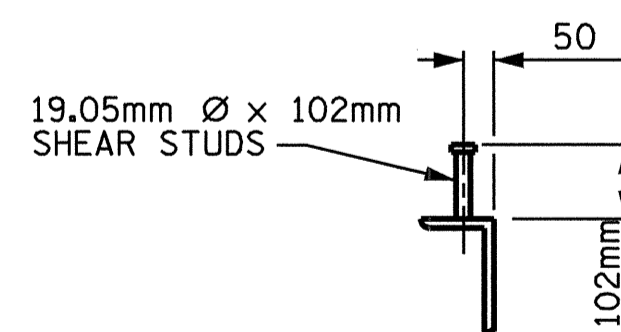


CONNECTOR PLATE

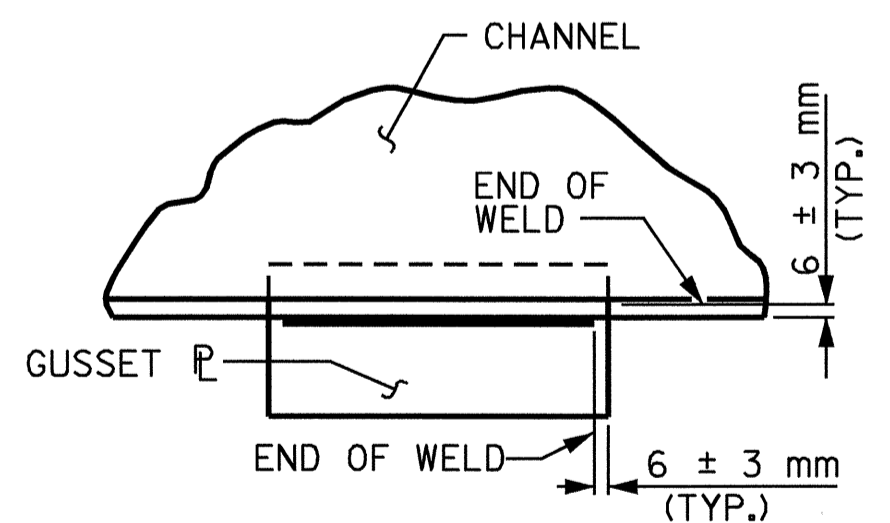


PERMISSIBLE SHOP WEB SPLICE

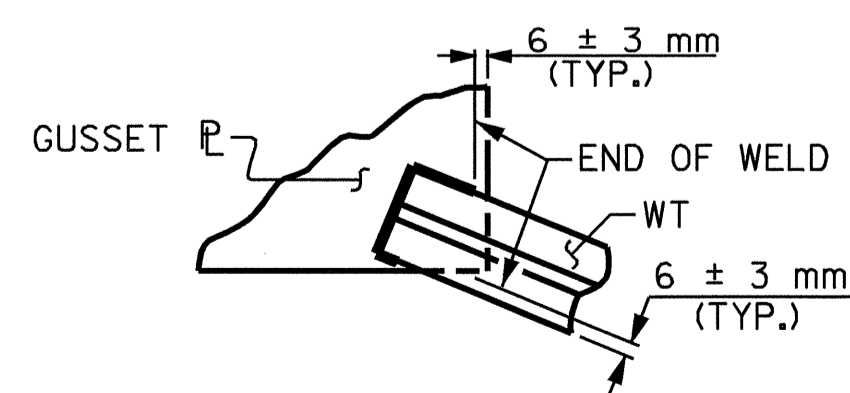
* GRIND SMOOTH AND FLUSH ON OUTSIDE OF EXTERIOR GIRDERS



SHEAR STUD DETAILS

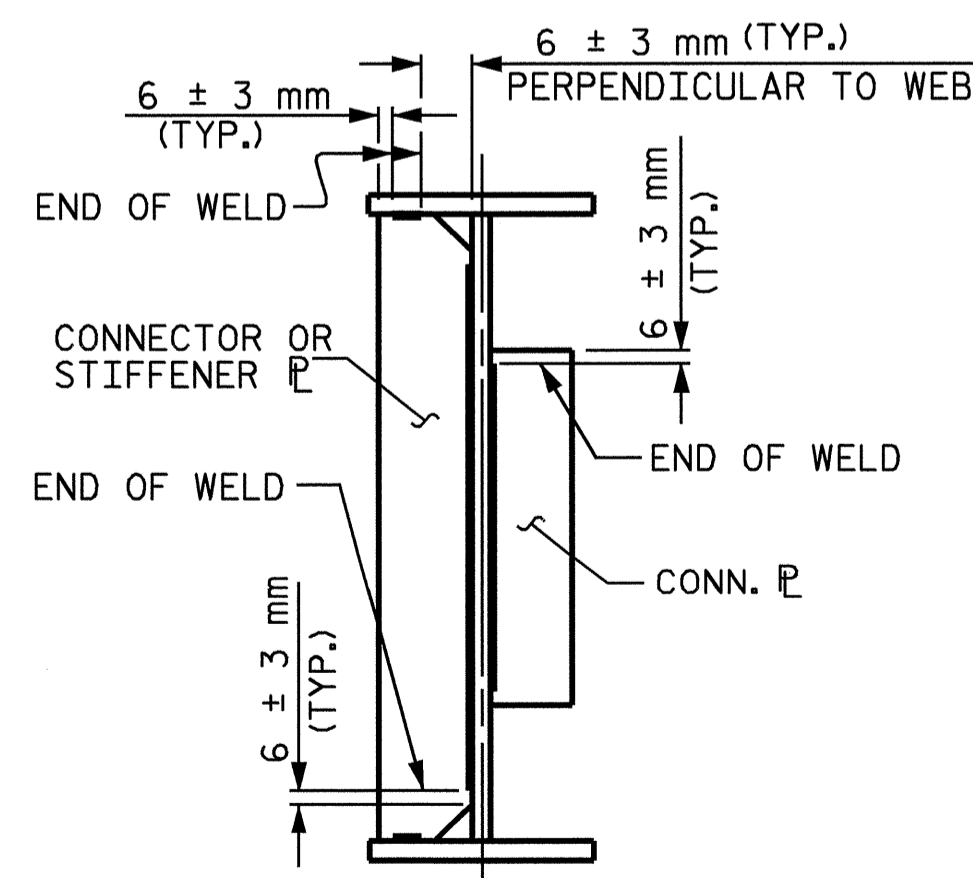


TYPICAL GUSSET PLATE CONNECTION

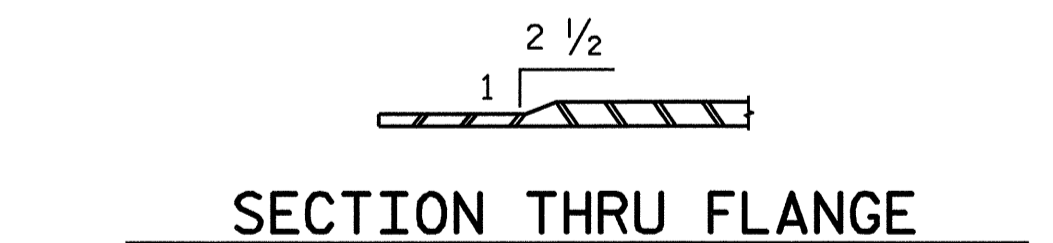


TYPICAL "TEE" TO GUSSET PLATE CONNECTION

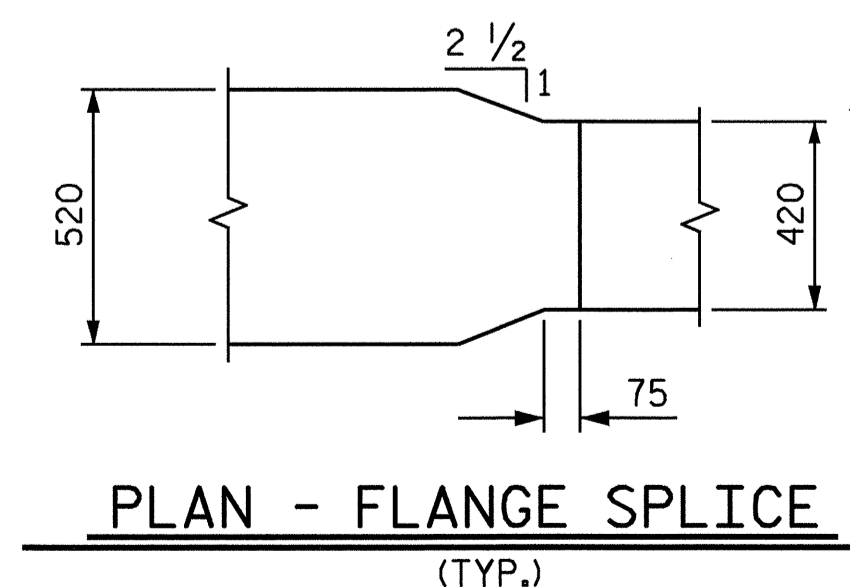
WELD TERMINATION DETAILS



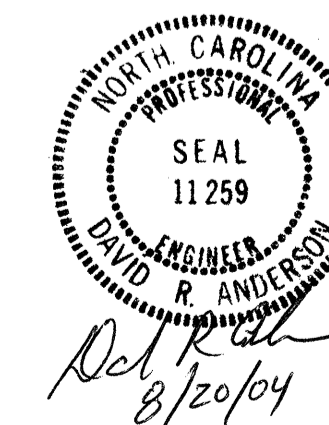
TYPICAL STIFFENER OR CONNECTOR PLATE CONNECTIONS



SECTION THRU FLANGE



PLAN - FLANGE SPLICE



PROJECT NO. R-513BA
ROBESON COUNTY
 STATION: 138+30.800 -L-
 SHEET 2 OF 3

STATE OF NORTH CAROLINA
 DEPARTMENT OF TRANSPORTATION
 RALEIGH
 SUPERSTRUCTURE
 STRUCTURAL
 STEEL DETAILS
 (LEFT LANE)

REVISIONS						SHEET NO.
NO.	BY:	DATE:	NO.	BY:	DATE:	TOTAL SHEETS
1			3			172
2			4			

DRAWN BY : N. Q. TRAN DATE : 6-16-03
 CHECKED BY : I. A. WALTER DATE : 3-16-04