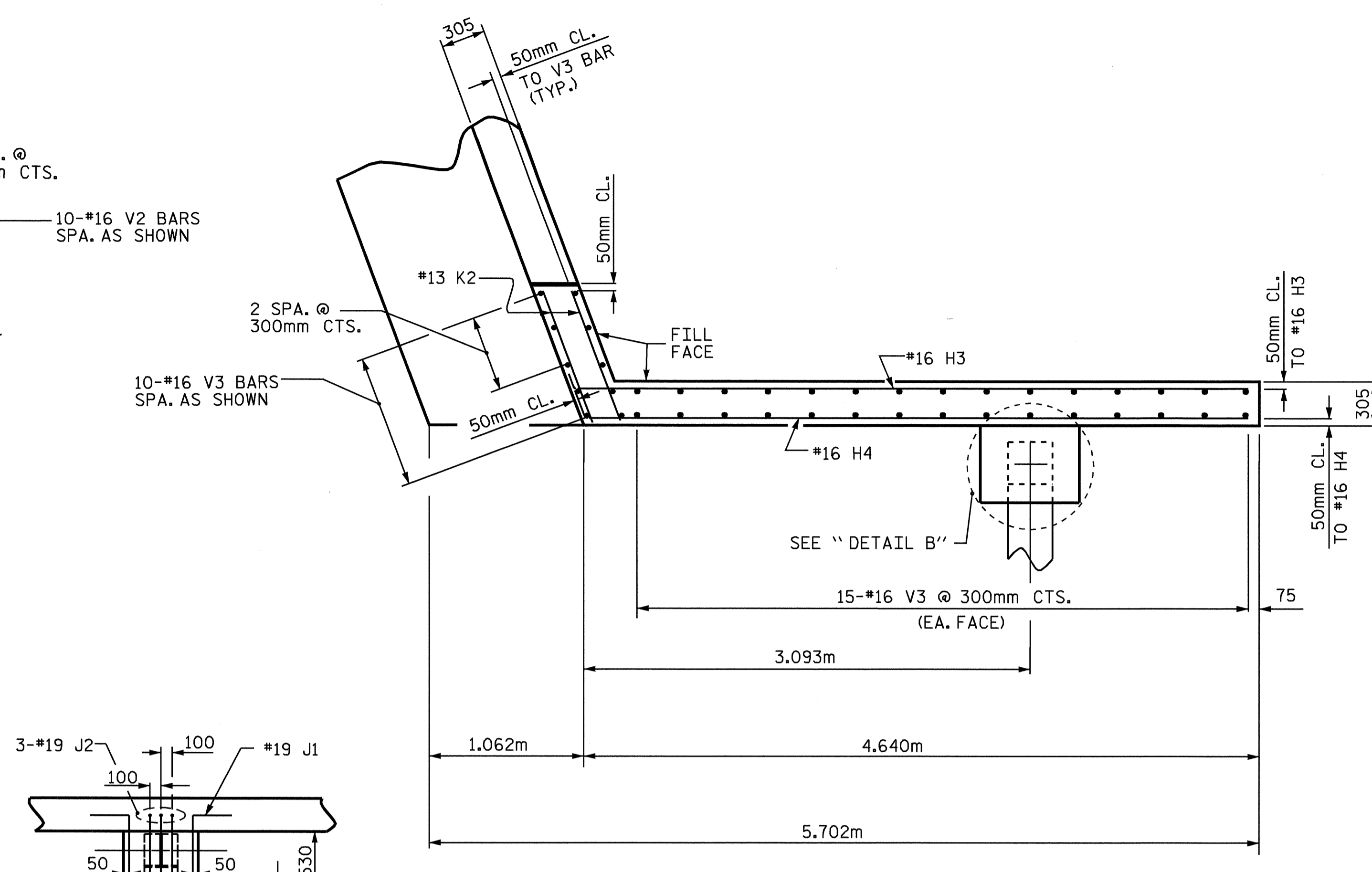
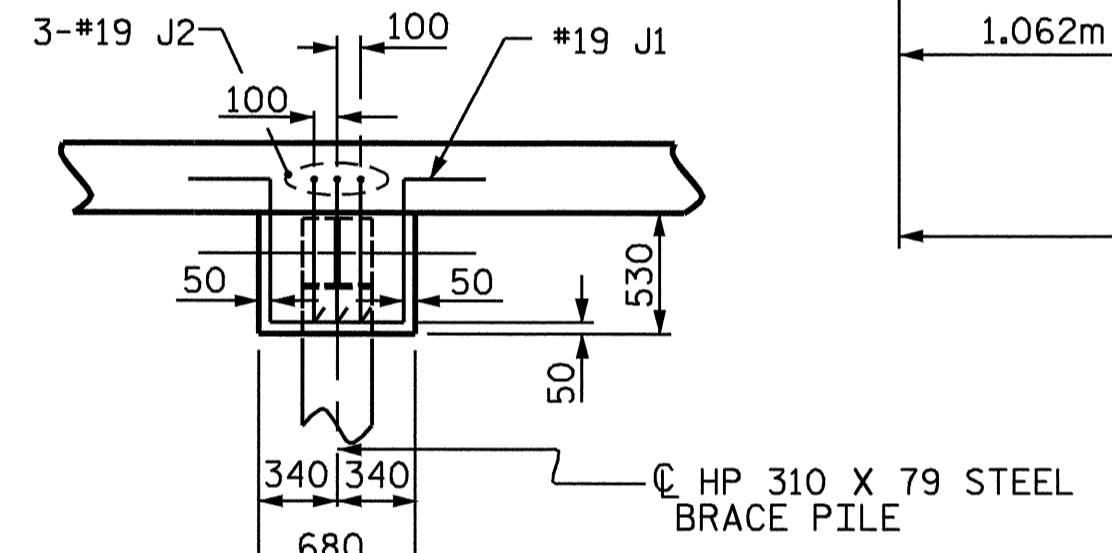


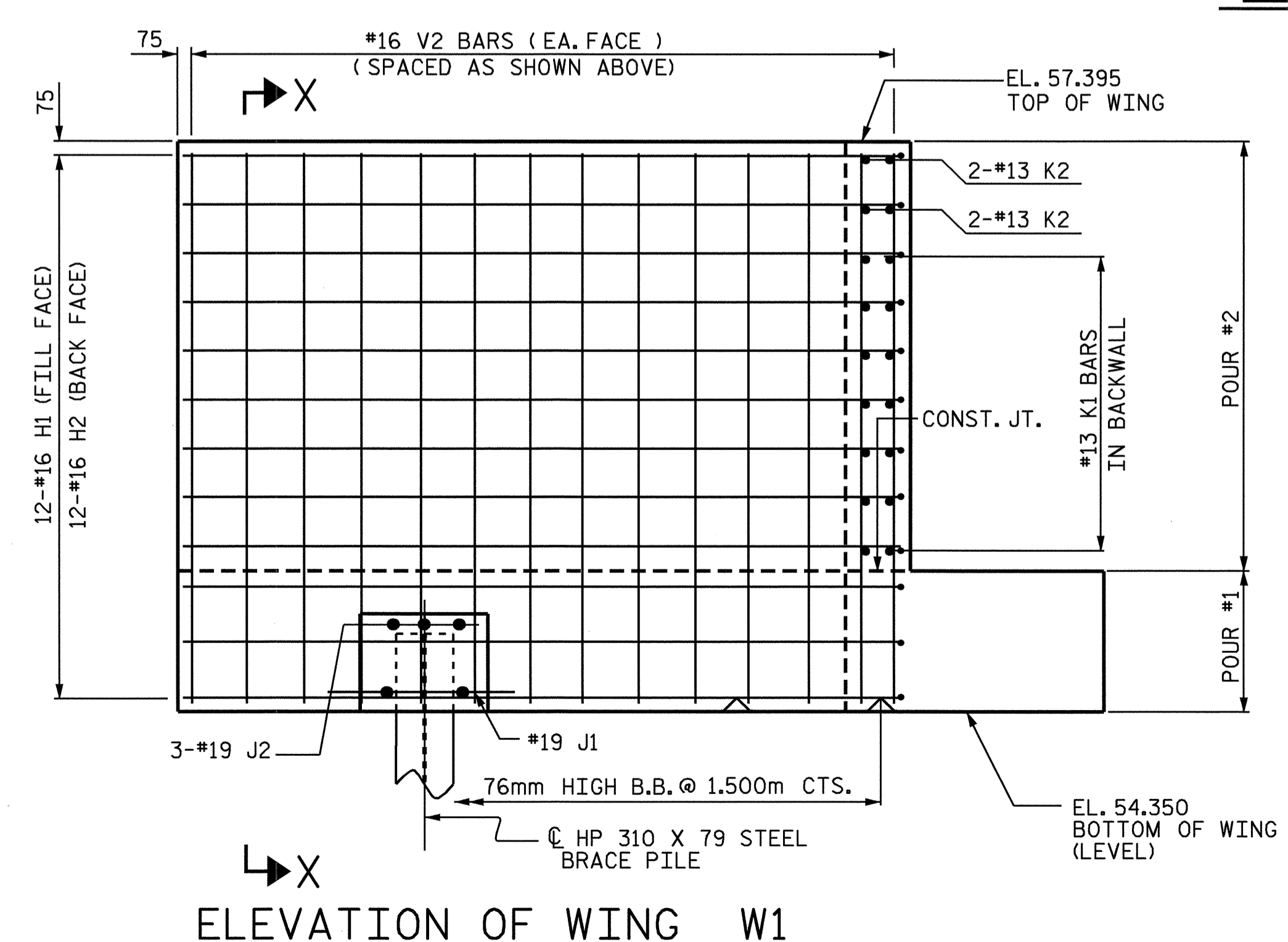
PLAN OF WING W1



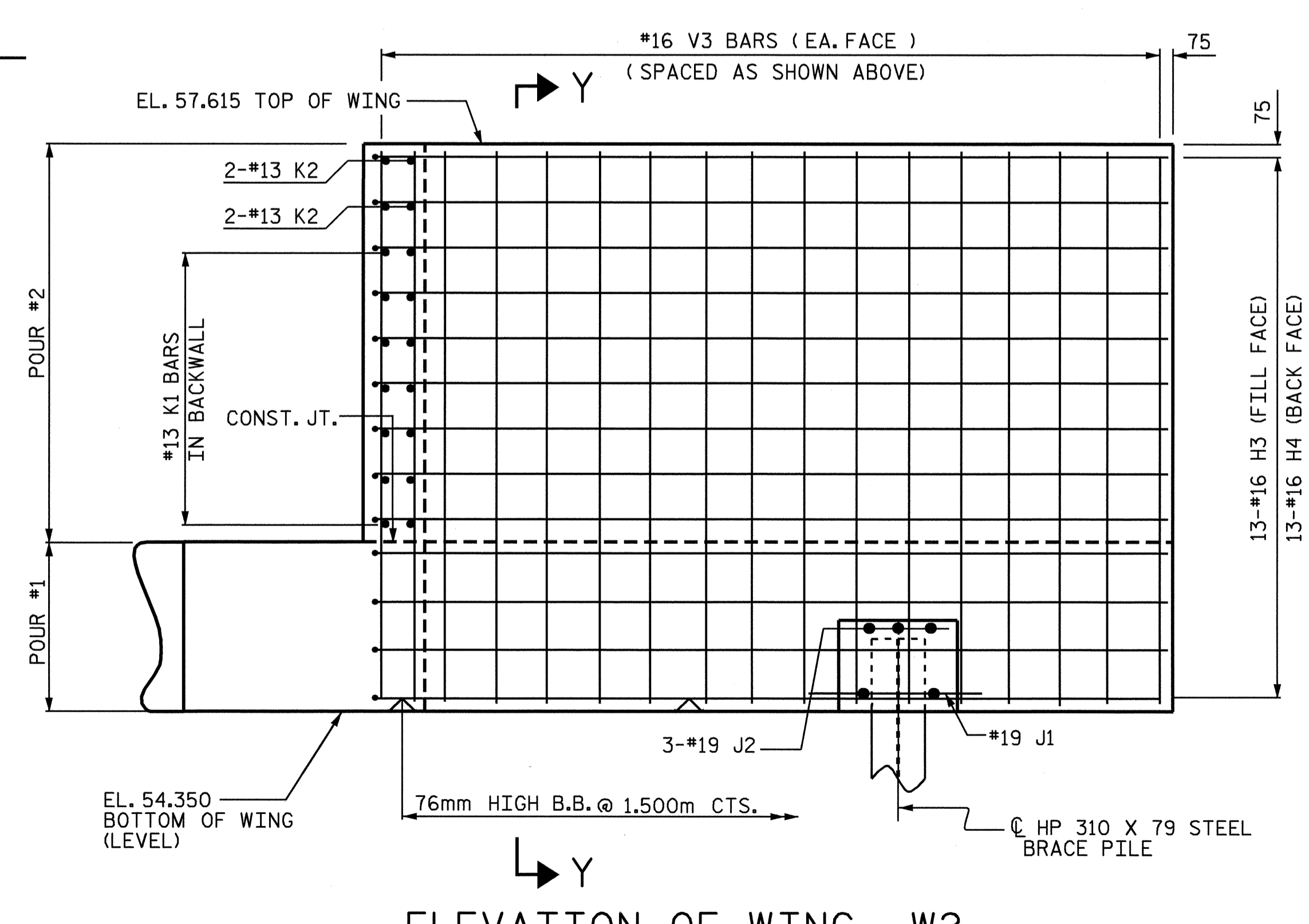
PLAN OF WING W2



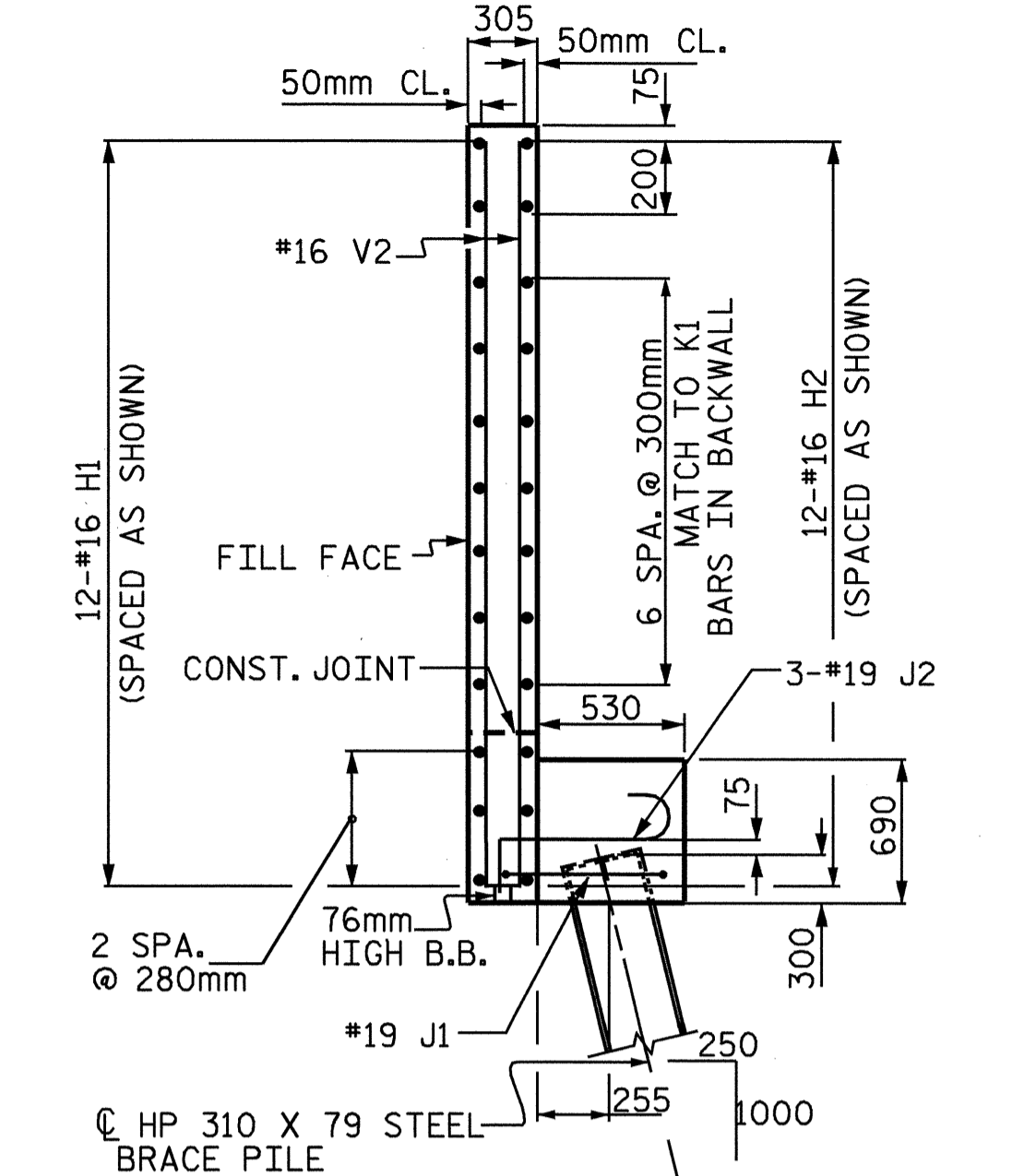
DETAIL B



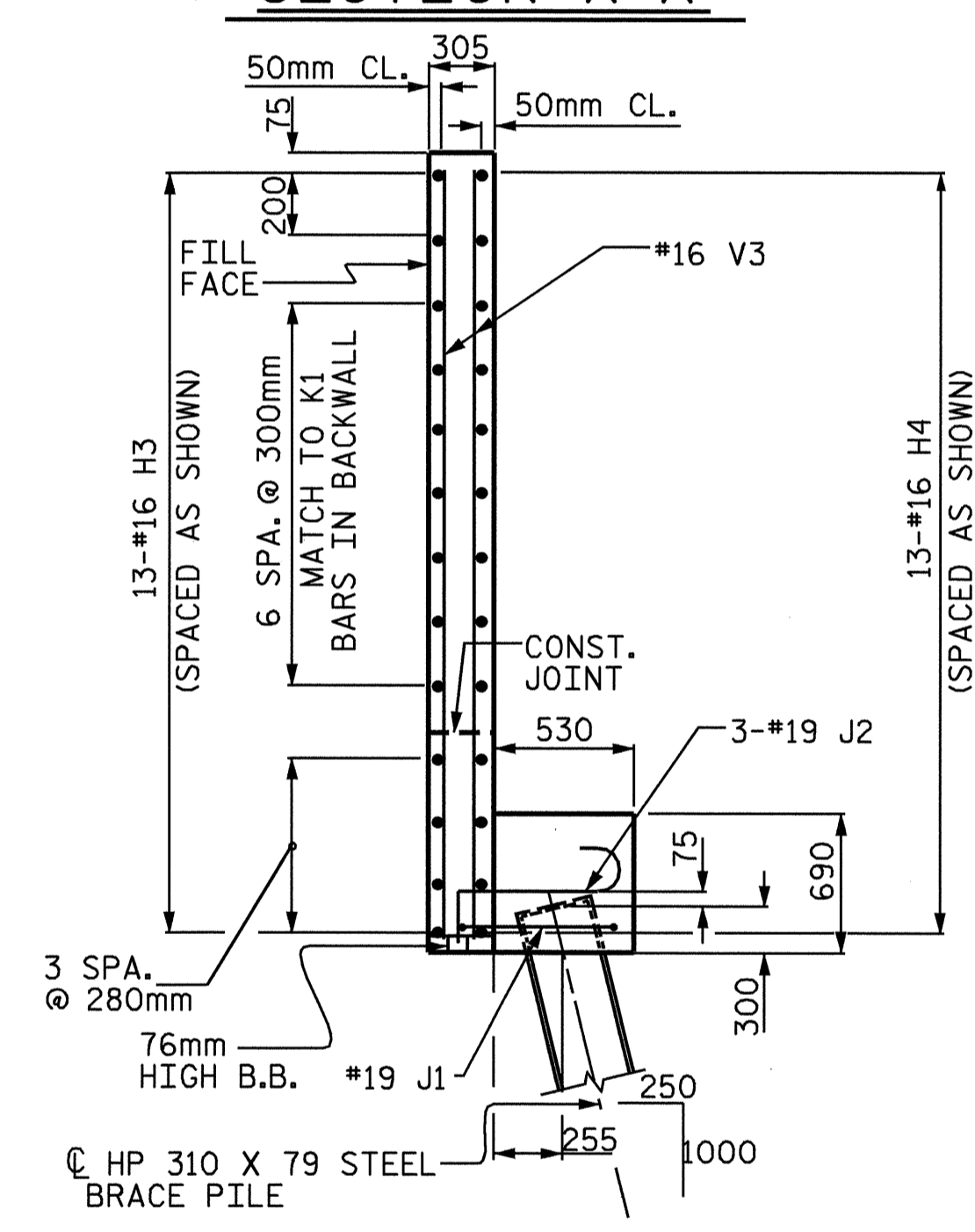
ELEVATION OF WING W1



ELEVATION OF WING W2



SECTION X-X



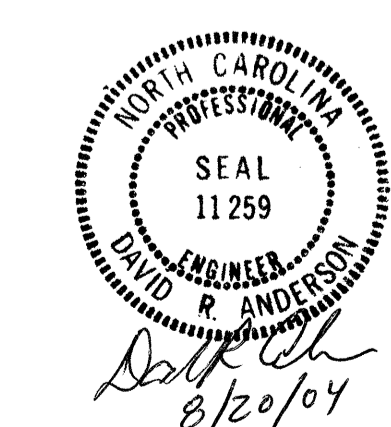
SECTION Y-Y

PROJECT NO. R-513BA  
ROBESON COUNTY  
 STATION: 138+30.800 -L-

SHEET 2 OF 3

STATE OF NORTH CAROLINA  
 DEPARTMENT OF TRANSPORTATION  
 RALEIGH

**SUBSTRUCTURE  
 END BENT 2  
 (LEFT LANE)**



REVISIONS						SHEET NO.	
NO.	BY:	DATE:	NO.	BY:	DATE:	SHEET NO.	
1			3			S-139	
2			4			TOTAL SHEETS 172	

DRAWN BY: S. M. RASHIDI DATE: 10/7/03  
 CHECKED BY: M. A. ALLEN DATE: 04-04