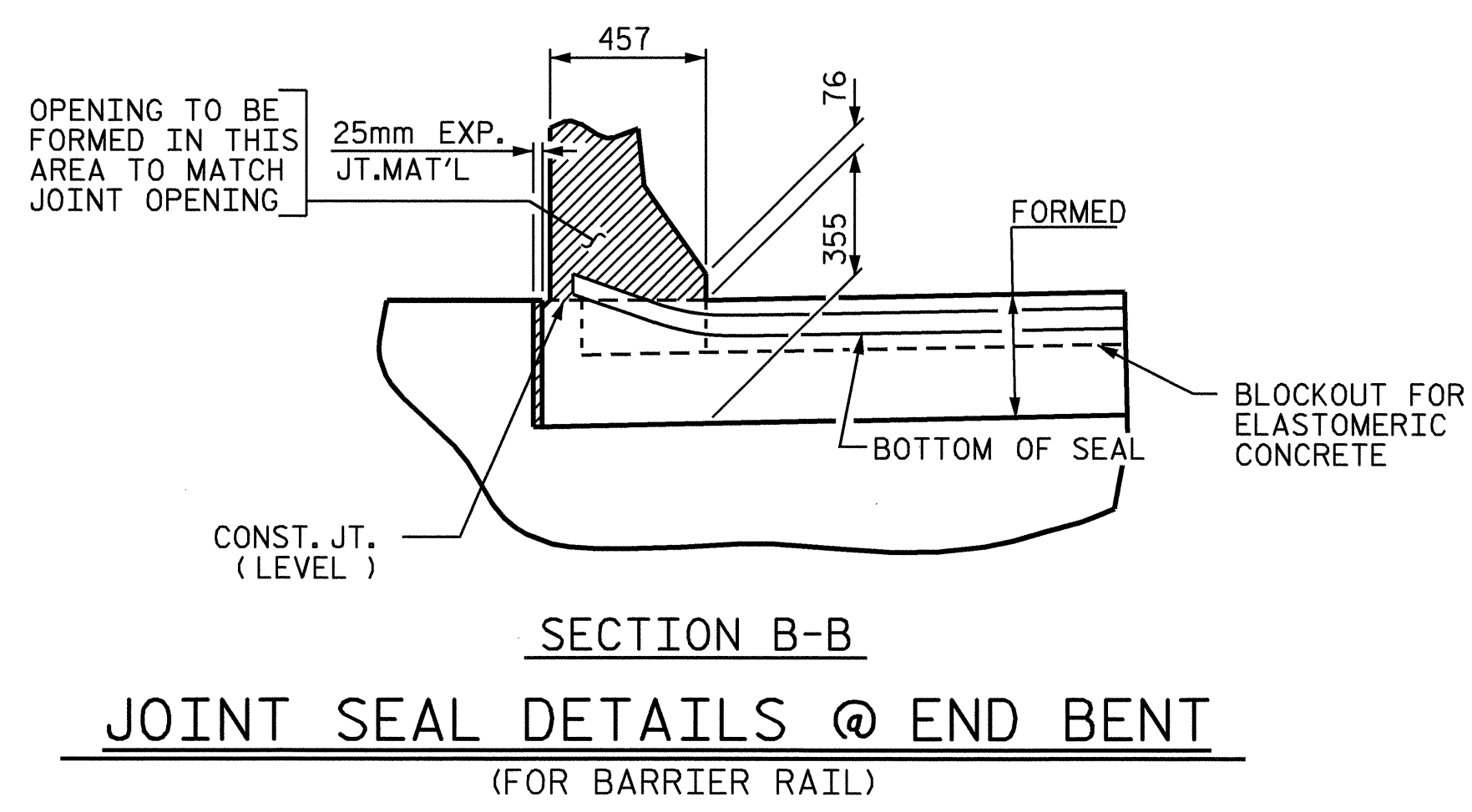
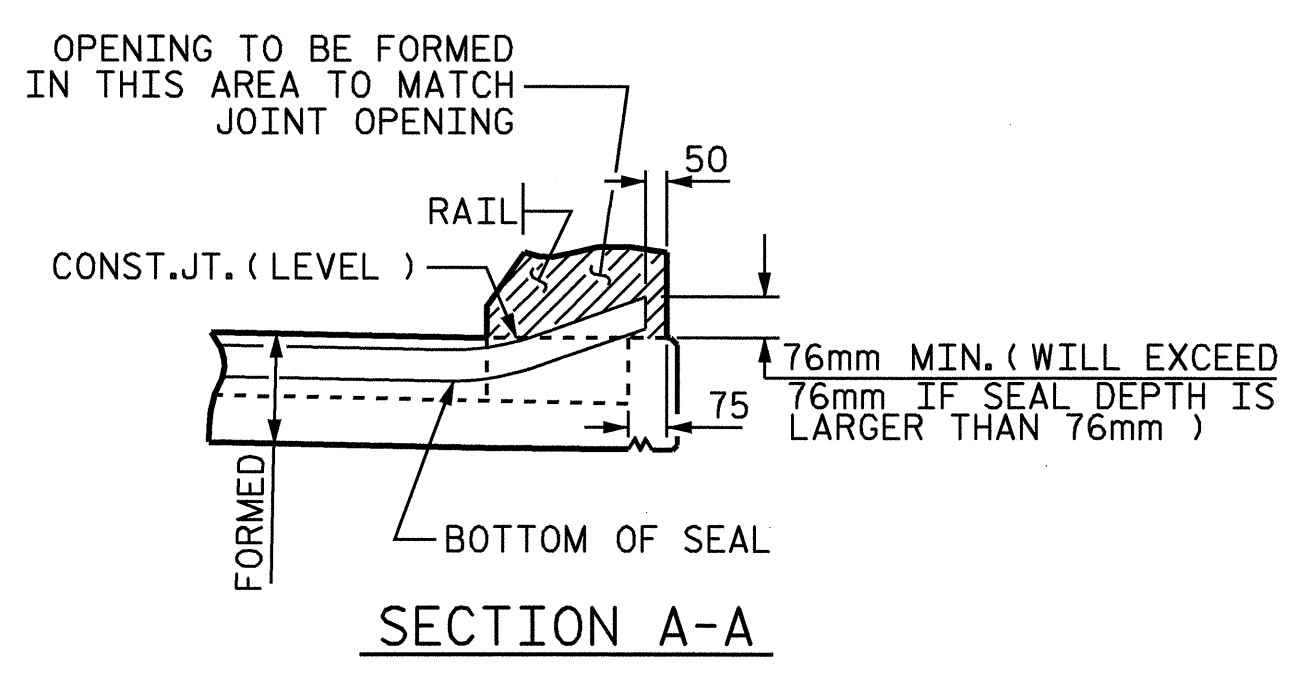
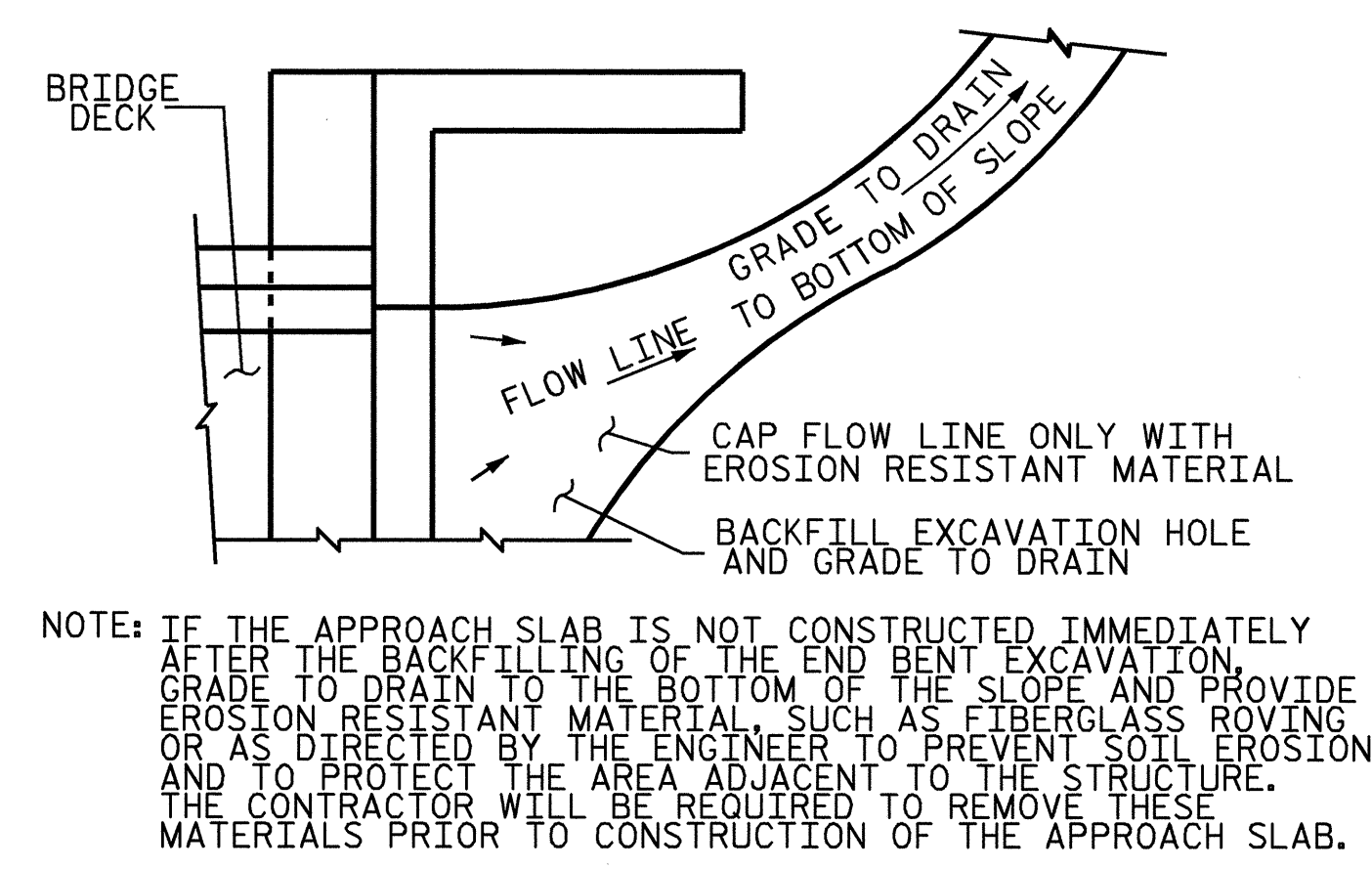


TEMPORARY BERM AND SLOPE DRAIN DETAILS



JOINT SEAL DETAILS @ END BENT (FOR BARRIER RAIL)

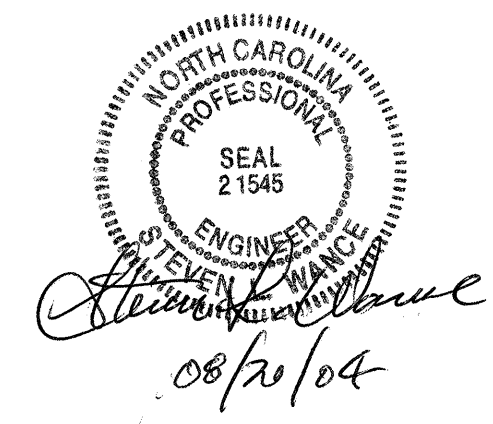


TEMPORARY DRAINAGE DETAIL

PROJECT NO. R-513BA
ROBESON COUNTY
 STATION: 138+30.800 -L-

SHEET 4 OF 4

STATE OF NORTH CAROLINA
 DEPARTMENT OF TRANSPORTATION
 RALEIGH
 STANDARD
 BRIDGE APPROACH SLAB
 DETAILS



ASSEMBLED BY : W.K. FISCHER	DATE : 4/7/04
CHECKED BY : S. WANCE	DATE : 5/25/04
DRAWN BY : FCJ 11/88	REV. 7/17/98 RWW/LES
CHECKED BY : ARB 11/88	REV. 8/16/99 RAL/LES
	REV. 10/17/00R RWW/LES

REVISIONS						SHEET NO. S-146
NO.	BY:	DATE:	NO.	BY:	DATE:	
1			3			TOTAL SHEETS 172
2			4			